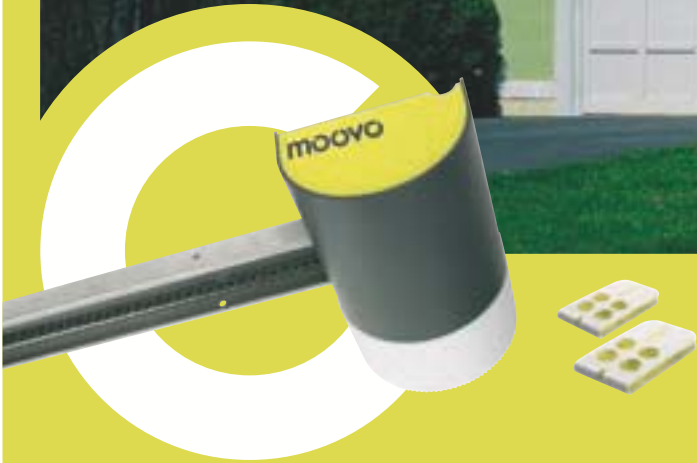


# moovo



## TS4<sub>32B</sub> GARAGE DOOR OPENER

Kit for the automation of a sectional door up to 3.5 m in width and up to 2.12 m high or sprung or counterweight overhead doors up to 3.5 m in width and up to 2.6 m high



**QUICK INSTALLATION**  
With plug-in guide



**AUTOMATIC PROGRAMMING**  
By means of a single key



**RELIABLE AND PRECISE**  
With a 24V motor and electronic limit switch



**SILENT OPERATION**  
With optimised chain drive



**OBSTACLE DETECTION**  
Thanks to movement control



**SAFETY CODE**  
Rolling code system



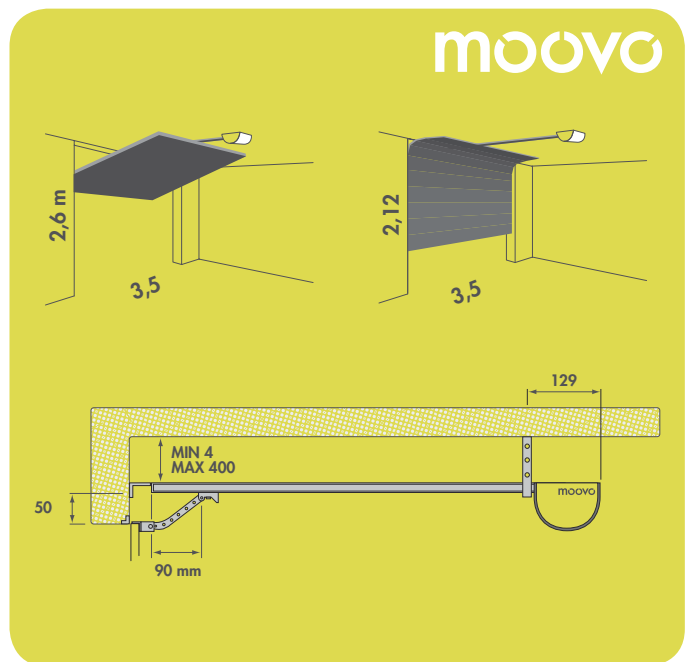
**MANUAL RELEASE**  
In any type of emergency

### FURTHER FEATURES OF THE GEAR MOTOR:

**Auto-diagnostic system** that identifies and immediately signals any possible malfunctions

### Built-in control card with integrated receiver

- 1 speed
- Timed and adjustable automatic closing function
- Programming of new transmitters (up to 150)
- Partial opening function
- Pause time adjustment
- Obstacle sensitivity adjustment
- Automatic recognition of NC-NO-8.2K safety devices, if installed
- End of manoeuvre drive release



### The kit TS432B contains:

#### TS432



Electromechanical gearmotor with control unit and built-in receiver, guide made up of 3 870 mm sections

#### MT4



2 Rolling code 4-channel transmitters

### Optional accessories

#### MT4



Rolling code 4-channel transmitters

#### MTI4



Rolling code 4-channel recessed transmitter

#### MPQ



Pair of photocells

### Optional accessories

#### MKR



Digital keypad via radio

#### MA



Oscillating arm

#### MU



Kit for external release

#### MPT5



Pair of posts for photocells, h 500 mm

Technical specifications	TS432	
	Slow	Fast
Power (Vac 50-60Hz)	230	
Power max absorbed (W)	200	
Nominal thrust (N)	500	
Idle speed (m/s)	0.07	0.13
Nominal Speed (m/s)	0.05	0.09
Travel (mm)	2120	
Max working cycles (cycles/h)	10*	
Max number of non-stop cycles	5	
Working temp. (°C)	-20 ÷ 50	
Protection level (IP)	40	
Dimensions (mm)	305x109 h x130	
Weight (kg)	8	

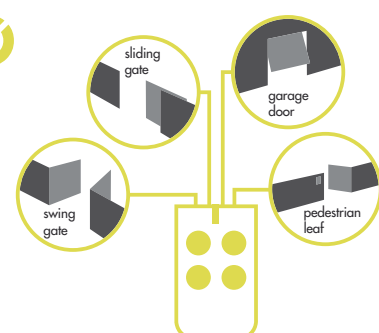
\* test carried out at room temperature of 20° C

### Packaging characteristics

Package dimensions (mm)	900x200 h 185
Package weight (kg)	14.9
EAN code	8032595791232

**moovo**

Oderzo TV, Italy  
Tel. +39 0422 20 21 09  
Fax +39 0422 85 35 85  
[www.moovo.com](http://www.moovo.com)



Moovo is a trademark of Nice SpA

# moovo

HomeLink  
compatible



## TS4<sub>32Be</sub> GARAGE DOOR OPENER

Kit for the automation of a sectional door up to 3.5 m in width and up to 2.12 m high or sprung or counterweight overhead doors up to 3.5 m in width and up to 2.6 m high



### NO BLACK OUT

Motor with provision for buffer battery (to be purchased separately)



### QUICK INSTALLATION

With plug-in guide



### AUTOMATIC PROGRAMMING

By means of a single key



### RELIABLE AND PRECISE

With a 24V motor and electronic limit switch



### SILENT OPERATION

With optimised chain drive



### OBSTACLE DETECTION

Thanks to movement control



### SAFETY CODE

Rolling code system



### MANUAL RELEASE

In any type of emergency

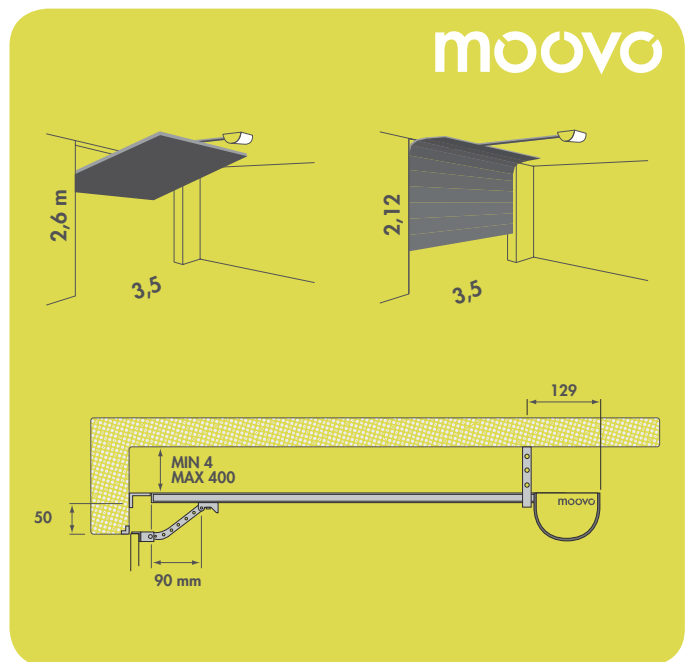
### FURTHER FEATURES OF THE GEAR MOTOR:

#### Auto-diagnostic system

that identifies and immediately signals any possible malfunctions

#### Built-in control card with integrated receiver

- 1 speed
- Timed and adjustable automatic closing function
- Programming of new transmitters (up to 150)
- Partial opening function
- Pause time adjustment
- Obstacle sensitivity adjustment
- Automatic recognition of NC-NO-8.2K safety devices, if installed
- End of manoeuvre drive release



### The kit TS432Be contains:

#### TS432E



Electromechanical gearmotor with control unit and built-in receiver, guide made up of 3 870 mm sections

#### MT4



2 Rolling code 4-channel transmitters

### Optional accessories

#### MT4



Rolling code 4-channel transmitters

#### MTI4



Rolling code 4-channel recessed transmitter

#### MPQ



Pair of photocells

### Optional accessories

#### MKR



Digital keypad via radio

#### ME (24V)



Emergency battery

#### MA



Oscillating arm

#### MU



Kit for external release

#### MPT5



Pair of posts for photocells, h 500 mm

Technical specifications	TS432E	
	Slow	Fast
Power (Vac 50-60Hz)	230	
Power max absorbed (W)	200	
Nominal thrust (N)	500	
Idle speed (m/s)	0.07	0.13
Nominal Speed (m/s)	0.05	0.09
Travel (mm)	2120	
Max working cycles (cycles/h)	10*	
Max number of non-stop cycles	5	
Working temp. (°C)	-20 ÷ 50	
Protection level (IP)	40	
Dimensions (mm)	305x109 h 130	
Weight (kg)	8	

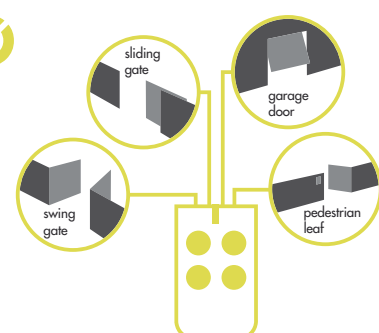
\* test carried out at room temperature of 20° C

### Packaging characteristics

Package dimensions (mm)	900x200 h 185
Package weight (kg)	14.9
EAN code	8032595791249

**moovo**

Oderzo TV, Italy  
Tel. +39 0422 20 21 09  
Fax +39 0422 85 35 85  
[www.moovo.com](http://www.moovo.com)



Moovo is a trademark of Nice SpA