

SpinbusKit

For sectional doors up to 10.5m² and up-and-over garage doors up to 11.8m², with Nice BlueBUS technology.

Pre-assembled, 3x1m pieces guide

(SPIN20KCE)

or pre-assembled 3m guide

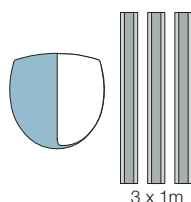
(SPIN21KCE).

Gear motor characteristics:

- **Rapid installation-anywhere**
the adjustable head, cord-type release and cable-controlled, step-by-step release can be fitted in any part of the garage in order to actuate the system without a remote control device and without the need to install wall-mounted control units!
- **User-friendly:**
the BlueBUS system enables users to connect the photocell couples and control unit using just two wires

- **Safe:** obstacle detection system and automatic programming of the working times; motor absorption is monitored during movement, self-diagnosis by means of a flashing light and courtesy light. Acceleration and deceleration can be adjusted at the beginning and end of each opening and closing manoeuvre. Can be connected with last generation sensitive edges 8,2kohm
- **Luminous:** 21W lamp

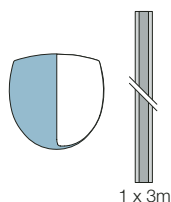
The kits contain:



3 x 1m

SPIN20KCE

1 gear motor SN6021 with incorporated control unit and plug-in receiver **SMXI**, 35mm thickness guide in **3x1m pieces**



1 x 3m

SPIN21KCE

1 gear motor SN6021 with incorporated control unit and plug-in receiver **SMXI**, 35mm thickness guide in **1x3m piece**

FL02R-S

1 transmitter
433.92MHz,
2 channels

FL02R-S

1 transmitter
433.92MHz,
2 channels



N.B. The content of the package may vary: consult the retailer.

Code	Description	Pack/pallet
SPIN20KCE	Kit for automating sectional doors and projecting and non-projecting up-and-over doors. 3x1m-pieces linear guide	14
SPIN21KCE	Kit for automating sectional doors and projecting and non-projecting up-and-over doors. 3m pre-assembled guide SNA5	15

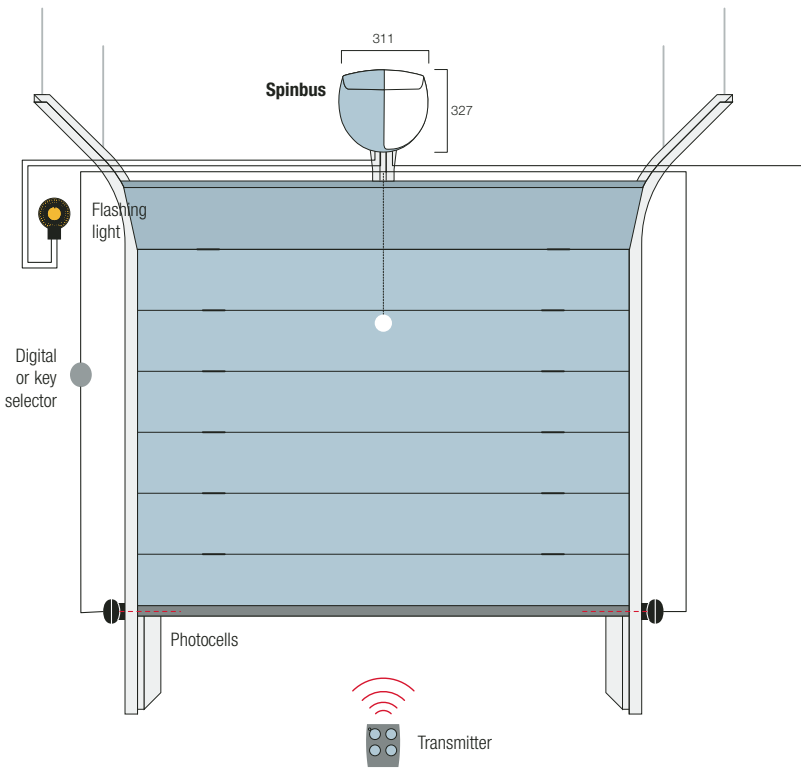
Technical specifications

		SN6021
Power	(Vac 50/60Hz)	230
Peak power	(W)	250
Protection level	(IP)	40
Speed	(m/s)	0.11 ÷ 0.20
Max. up-and-over door surface	(m ²)	11.8
Max. sectional door surface	(m ²)	10.5
Travel	(mm)	2500
Max thrust	(N)	650
Traction	(N)	650
Working temp.	(°C Min/Max)	-20 ÷ +50
Work cycle	(cycles/day)	50
Dimensions	(mm)	311x327x105
SpinbusKit weight	(kg)	15
Thick guide	(mm)	35

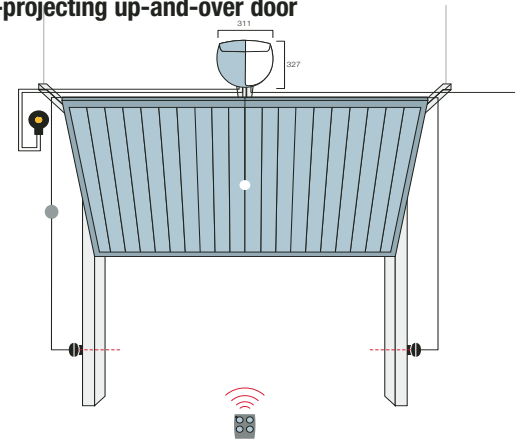
Operating limits (using the maximum travel)

	non-projecting up-and-over door		projecting up-and-over door		sectional	
	height	width	height	width	height	width
SPIN20KCE	2.2m	4.2m	2.8m	4.2m	2.4m	4.4m
SPIN21KCE	2.2m	4.2m	2.8m	4.2m	2.4m	4.4m

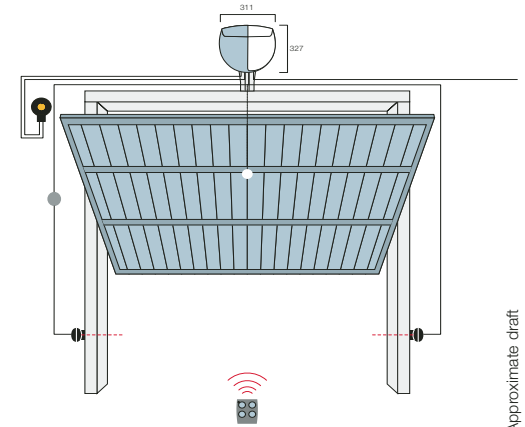
Sectional



Non-projecting up-and-over door



Projecting up-and-over door

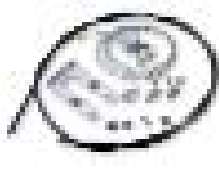


Approximate draft

Accessories



SNA2
spare control unit
for SPIN20KCE, SPIN21KCE
and SPIN22KCE



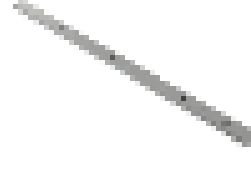
SPA2
kit for unlocking from
the outside with cable

Pc/pack 1



SPA5
oscillating arm sliding
on bearings with optimised
structure for projecting
up-and-over doors

Pc/pack 1



SPA6
large 585mm long
connecting arm

Pc/pack 1



SPA7
kit of additional fixing brackets

Pc/pack 2



TS
signboard

Pc/pack 1



Nice recommends customers order products in pallets in order to facilitate storage and delivery, and ensure packs are uniform. The number of packs per single pallet has been specified for this reason.

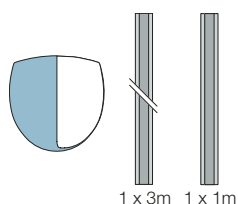
SpinbusKit

For sectional doors up to 10.5m² and up-and-over garage doors up to 11.8m², with Nice BlueBUS technology. Pre-assembled, 3m+1m guide.

Gear motor characteristics:

- **Rapid installation-anywhere**
the adjustable head, cord-type release and cable-controlled, step-by-step release can be fitted in any part of the garage in order to actuate the system without a remote control device and without the need to install wall-mounted control units!
- **User-friendly: the BlueBUS system**
enables users to connect the photocell couples and control unit using just two wires
- **Safe:** obstacle detection system and automatic programming of the working times; motor absorption is monitored during movement, self-diagnosis by means of a flashing light and courtesy light. Acceleration and deceleration can be adjusted at the beginning and end of each opening and closing manoeuvre. Can be connected with last generation sensitive edges 8,2KOhm
- **Luminous:** 21W lamp

The kit contains:



SPIN22KCE

1 gear motor SN6021 with incorporated control unit and plug-in receiver **SMXI**

FL02R-S

1 transmitter
433.92MHz,
2 channels



N.B. The content of the package may vary: consult the retailer.

Code	Description	Pack/pallet
SPIN22KCE	Kit for automating sectional doors and projecting and non-projecting up-and-over doors. 35mm thickness guide in 1x3m piece + 1x1m piece	15

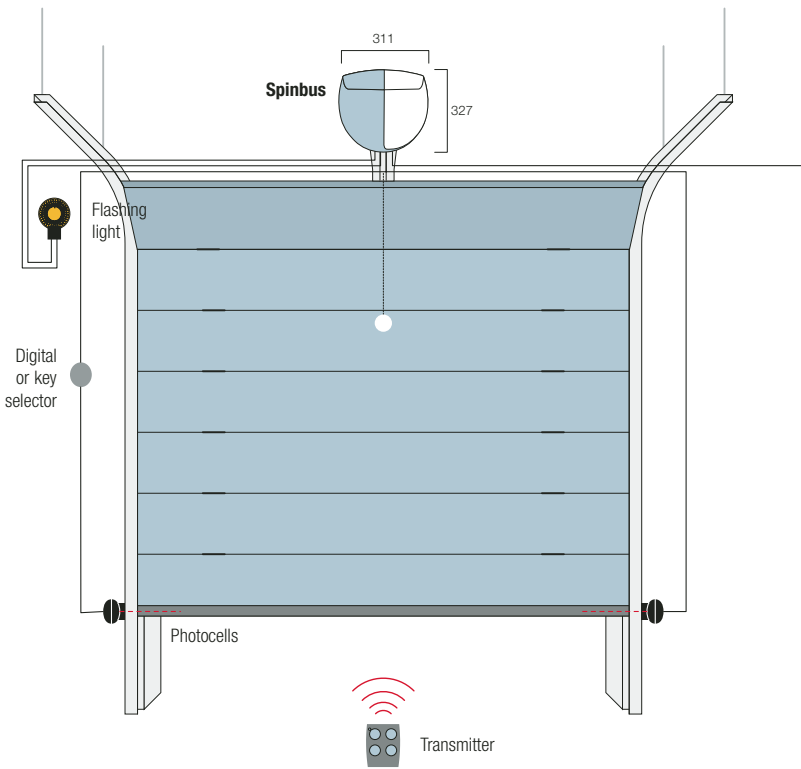
Technical specifications

		SN6021
Power	(Vac 50/60Hz)	230
Peak power	(W)	250
Protection level	(IP)	40
Speed	(m/s)	0.11 ÷ 0.20
Max. up-and-over door surface	(m ²)	11.8
Max. sectional door surface	(m ²)	10.5
Travel	(mm)	3500
Max thrust	(N)	650
Traction	(N)	650
Working temp.	(°C Min/Max)	-20 ÷ +50
Work cycle	(Manoeuvre)	50
Dimensions	(mm)	311x327x105
SpinbusKit weight	(kg)	15.5
Thick guide	(mm)	35

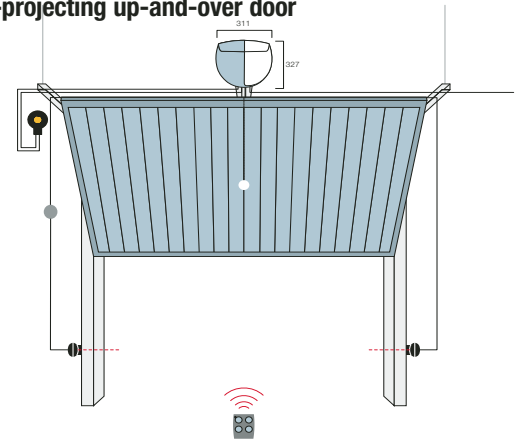
Operating limits (using the maximum travel)

	non-projecting up-and-over door		projecting up-and-over door		sectional	
	height	width	height	width	height	width
SPIN22KCE	3.2m	2.9m	3.5m	3.4m	3.4m	3.1m

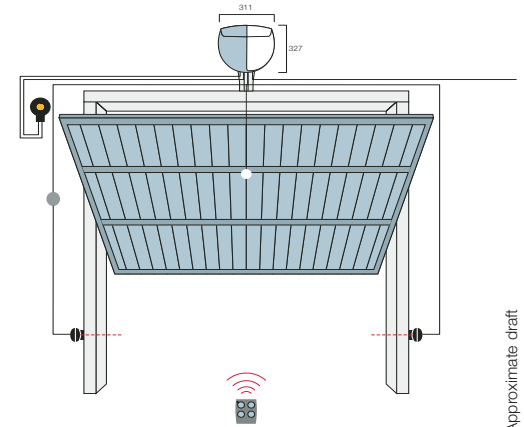
Sectional



Non-projecting up-and-over door



Projecting up-and-over door



Approximate draft

Accessories



SNA2
spare control unit
for SPIN20KCE, SPIN21KCE
and SPIN22KCE



SPA2
kit for unlocking from
the outside, with cable
Pc/pack 1



SPA5
oscillating arm sliding
on bearings with optimised
structure for projecting
up-and-over doors
Pc/pack 1



SPA6
large 585mm long
connecting arm
Pc/pack 1



SPA7
kit of additional fixing brackets
Pc/pack 2



TS
signboard
Pc/pack 1



Nice recommends customers order products in pallets in order to facilitate storage and delivery, and ensure packs are uniform. The number of packs per single pallet has been specified for this reason.