

Spinbus

For sectional doors up to 12.5m² and up-and-over garage doors up to 11.8m² with Nice BlueBUS technology.

230Vac irreversible electromechanical gear motor, for residential use, with belt drive, 24Vdc motor, with magnetic encoder.

Complete version of the guide in 3x1m pieces.

Rapid installation - anywhere!

the adjustable head, cord-type release and cable-controlled, step-by-step release can be fitted in any part of the garage in order to actuate the system without a remote control device and without the need to install wall-mounted control units!

User-friendly thanks to the BlueBUS system:

the BlueBUS system enables users to connect the photocell couples and control unit using just two wires.

Safe:

obstacle detection system and automatic programming of the working times; motor absorption is monitored during movement, self-diagnosis by means of a flashing light and courtesy light. Acceleration and deceleration can be adjusted at the beginning and end of each opening and closing manoeuvre.

Can be connected with last generation sensitive edges 8.2Kohm.

Energy saving: when the system is not being used it will switch over to standby, lowering consumption to just 2W.

Luminous: 40W lamp E27 that can be used as garage lightening.



Three-section guide in galvanised steel with belt drive system, very quiet

By rotating the "petal" which diffuses the light (40W!), users access the incorporated BlueBUS control unit

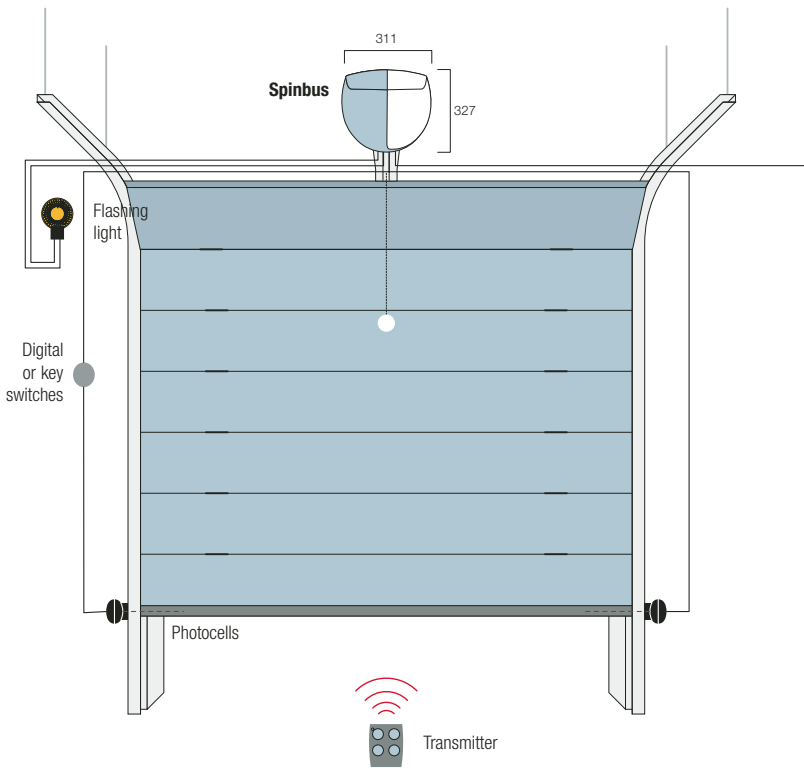
Code	Description	Pack/pallet
SPIN30	irreversible, 230Vac, 24Vdc motor, with incorporated control unit 650N. Designed for optional buffer batteries (PS124). Complete with guide in three 1m-pieces.	15
SPIN40	irreversible, 230Vac, 24Vdc motor, with incorporated control unit 1000N. Designed for optional buffer batteries (PS124). Complete with guide in three 1m-pieces.	15

Technical specifications	SPIN30	SPIN40
Power (Vac 50/60Hz)	230	
Emergency power supply	PS124	
Absorbed power in stand-by (W)	2.2	2.5
Peak power (W)	250	370
Protection level (IP)	40	
Speed (m/s)	0.11 ÷ 0.20	
Max. up-and-over door surface (m ²)	11.8	11.8
Max. sectional door surface (m ²)	10.5	12.5
Travel (mm)	2500	
Max thrust (N)	650	1000
Traction (N)	650	1000
Working temp. (°C Min/Max)	-20 ÷ +50	
Work cycle (cycles/day)	50	
Dimensions (mm)	311x327x105	
Weight (kg)	15	16
Thick guide (mm)	35	

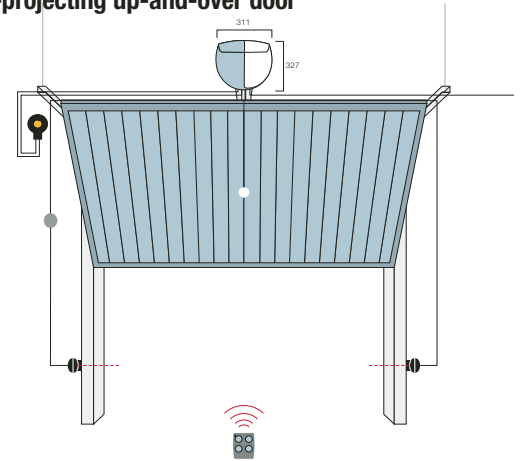
Operating limits (using the maximum travel)

	non-projecting up-and-over door		projecting up-and-over door		sectional	
	height	width	height	width	height	width
SPIN30	2.2m	4.2m	2.8m	4.2m	2.4m	4.4m
SPIN40	2.2m	4.2m	2.8m	4.2m	2.4m	5.2m

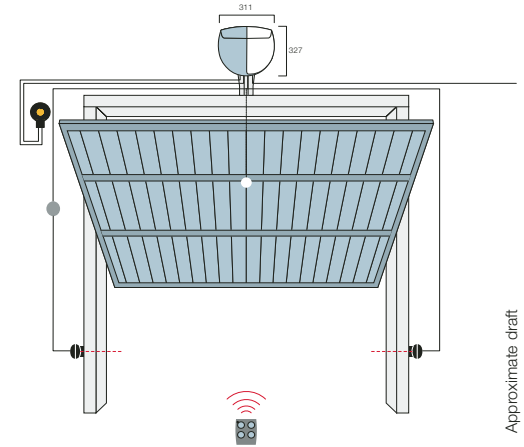
Sectional



Non-projecting up-and-over door



Projecting up-and-over door



Approximate draft

Accessories



SNA3
spare control unit
for SPIN30/SN6031



SNA4
spare control unit
for SPIN40/SN6041



PS124
24V battery with built-in
battery charger

Pc/pack 1



SPA2
kit for unlocking from
the outside with cable

Pc/pack 1



SPA5
oscillating arm sliding
on bearings with optimised
structure for projecting
up-and-over doors

Pc/pack 1



SPA6
large 585mm long
connecting arm

Pc/pack 1



SPA7
kit of additional fixing brackets

Pc/pack 2



TS
signboard

Pc/pack 1

Nice recommends customers order products in pallets in order to facilitate storage and delivery, and ensure packs are uniform. The number of packs per single pallet has been specified for this reason.

Spinbus

For sectional doors up to 17.5m² and up-and-over garage doors up to 14.7m² with Nice BlueBUS technology.

230Vac irreversible electromechanical gear motor, for residential use, with belt drive, 24Vdc motor, with magnetic encoder.

To use with the SNA5 - SNA6 guides.

Rapid installation - anywhere!

the adjustable head, cord-type release and cable-controlled, step-by-step release can be fitted in any part of the garage in order to actuate the system without a remote control device and without the need to install wall-mounted control units!

User-friendly thanks to the BlueBUS system:

the BlueBUS system enables users to connect the photocell couples and control unit using just two wires.

Safe:

obstacle detection system and automatic programming of the working times; motor absorption is monitored during movement, self-diagnosis by means of a flashing light and courtesy light. Acceleration and deceleration can be adjusted at the beginning and end of each opening and closing manoeuvre.

Can be connected with last generation sensitive edges 8,2Kohm.

Energy saving: when the system is not being used it will switch over to standby, lowering consumption to just 2W.

Luminous: 40W lamp E27 that can be used as garage lightening.



By rotating the "petal", which diffuses the light, users access the incorporated BlueBUS control unit

Code	Description	Pack/pallet
SN6031	230Vac, irreversible, 24Vdc motor, with incorporated control unit 650N. Designed for optional buffer batteries (PS124).	15
SN6041	230Vac, irreversible, 24Vdc motor, with incorporated control unit 1000N. Designed for optional buffer batteries (PS124).	15

Code	Description	Pack/pallet
SNA5	preassembled 3m guide.	1
SNA6	preassembled 4m guide (3+1m).	1

Technical specifications	SN6031	SN6041
Power (Vac 50/60Hz)	230	
Emergency power supply	PS124	
Absorbed power in stand-by (W)	2.2	2.5
Peak power (W)	250	370
Protection level (IP)	40	
Speed (m/s)	0,11 ÷ 0,20	
Max. up-and-over door surface (m ²)	11.8	14.7*
Max. sectional door surface (m ²)	10.5	17.5*
Travel (mm)	2500 / 3500*	3500*
Max thrust (N)	650	1000
Traction (N)	650	1000
Working temp. (°C Min/Max)	-20 ÷ +50	
Work cycle (cycles/day)	50	
Dimensions (mm)	311x327x105	
Weight (kg)	15	16
Thick guide (mm)	35	

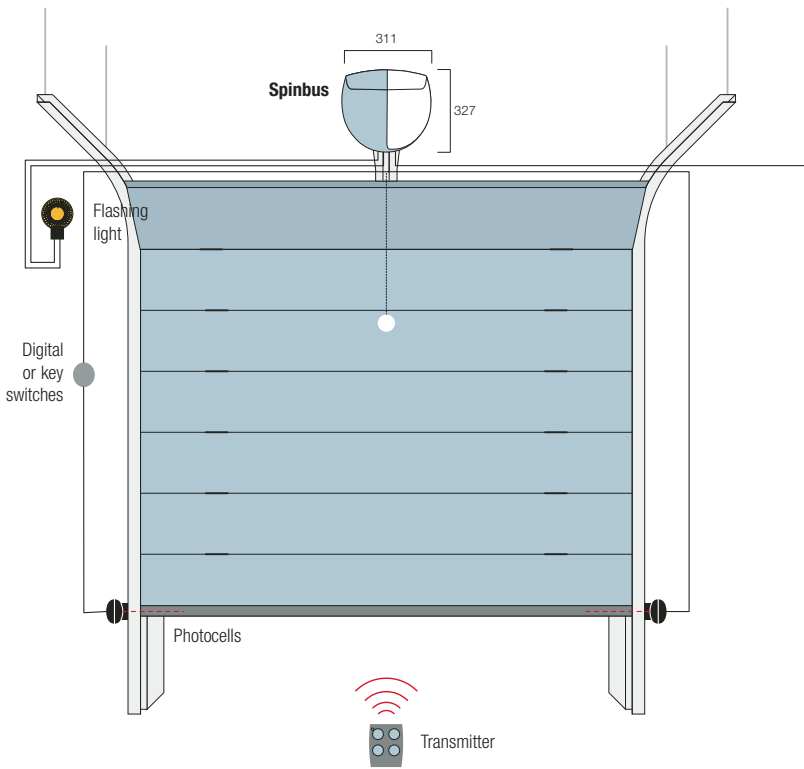
* With SNA6 guide

Operating limits (using the maximum travel)

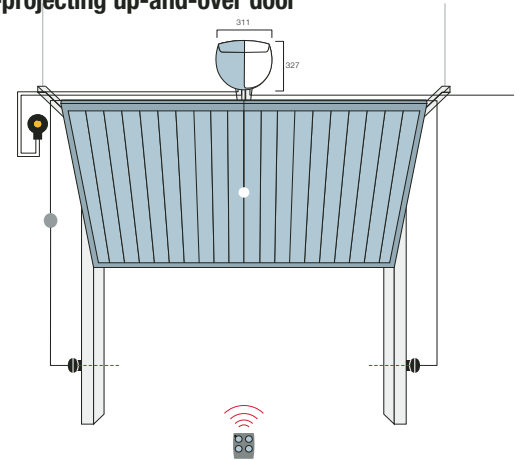
	non-projecting up-and-over door		projecting up-and-over door		sectional	
	height	width	height	width	height	width
SN6031 with SNA5	2.2m	4.2m	2.8m	4.2m	2.4m	4.4m
SN6031 with SNA6	3.2m	2.9m	3.5m	3.4m	3.4m	3.1m
SN6041 with SNA6**	3.2m	4.2m	3.5m	4.2m	3.4m	5.2m

** SN6041 model must be exclusively coupled to the SNA6 guide

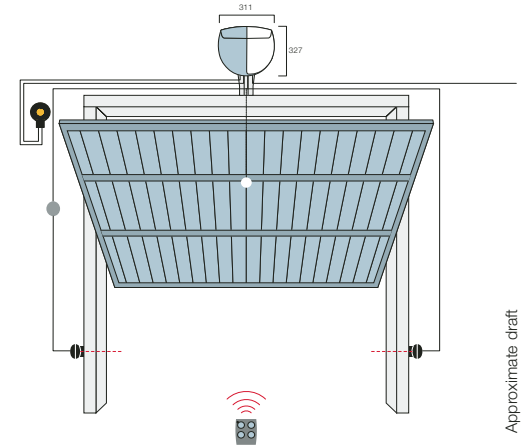
Sectional



Non-projecting up-and-over door



Projecting up-and-over door



Approximate draft

Accessories



SNA3
spare control unit
for SPIN30/SN6031



SNA4
spare control unit
for SPIN40/SN6041



PS124
24V battery with built-in
battery charger
Pc/pack 1



SPA2
kit for unlocking from
the outside, with cable
Pc/pack 1



SPA5
oscillating arm sliding
on bearings with optimised
structure for projecting
up-and-over doors
Pc/pack 1



SPA6
large 585mm long
connecting arm
Pc/pack 1



SPA7
kit of additional fixing brackets
Pc/pack 2



TS
signboard
Pc/pack 1

Nice recommends customers order products in pallets in order to facilitate storage and delivery, and ensure packs are uniform. The number of packs per single pallet has been specified for this reason.