

For sectional doors up to 8.4 m² and up-and-over doors up to 9.8 m² with guide in single section of 2850 mm.

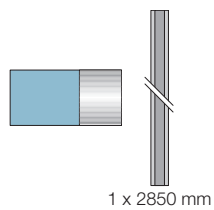
Gear motor characteristics:

- **Quick installation in every location** thanks to the click-fit guide.
- **Automatic programming** by means of a single key
- **Auto-diagnostic system** that identifies and immediately signals any possible malfunctions
- **Safe and reliable:** 24 Vdc very low voltage motor with electronic limit switch; obstacle detection thanks to controlled movement.
- **Silent operation:** optimised chain drive
- **Practical release rope** in the event of a power failure

• **Incorporated control unit with built-in receiver;** a wide range of programmable functions:

- 1 speed.
- Timed and adjustable automatic closing function.
- Partial opening function.
- Setting of pause time and movement speed.
- Setting of obstacle detection sensitivity with movement inversion.
- Traction discharge at end of manoeuvre, to guarantee perfect door closure.
- Automatic recognition of NC-NA-8.2K safety devices, if installed.
- Programming of new transmitters (up to 150 programmable keys).

The kit contains:



SHELKIT01

1 SHEL, 24 Vdc gearmotor, with electronic limit switch, built-in control unit and receiver and guide in single section of 2850 mm

FLO4R-S

2 transmitter
433.92 MHz, 4 channels

Recommended purchase quantity: 100 pcs.

Code	Description	Pack/pallet
SHELKIT	Kit for automating sectional doors and projecting and non-projecting up-and-over doors. Guide in 1x2850 mm piece.	50

N.B. The content of the package may vary: consult the retailer.

Technical specifications		SHELKIT01
Power supply	(Vac 50/60Hz)	230
Maximum start-up power	(W)	200
Protection rating	(IP)	40
Nominal torque	(Nm)	6.3
Maximum start-up torque	(Nm)	12
Speed	(m/s)	0.07 ÷ 0.13
Max. nominal thrust	(N)	500
Work cycle*	(cycle/hour)	8
Max. time continuous operation	(min.)	4
Insulation class		1
Courtesy light	(V / W)	12 / 10 BA15 fitting
Built-in radio receiver		Flor, Flo, Smilo encoding
Operating temp.	(°C)	-20 ÷ +50
Dimensions	(mm)	305 x 109 h x 130
Weight	(kg)	4

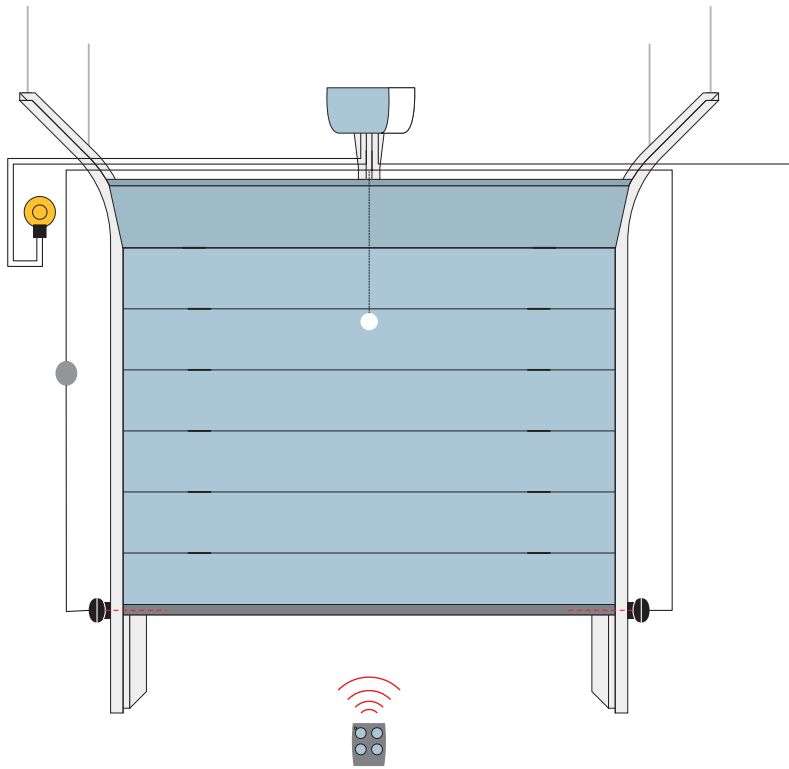
*Test performed at a temperature of 20° C

Operating limits (using the maximum travel)

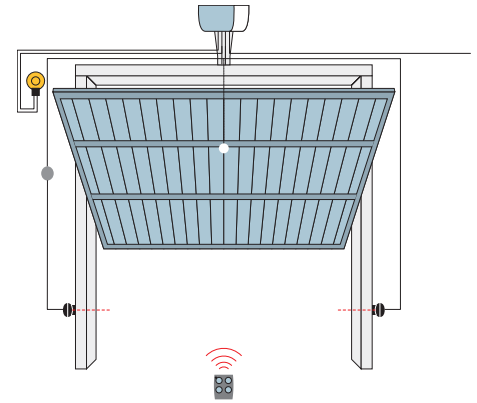
	non-projecting up-and-over door		projecting up-and-over door		sectional	
	height	width	height	width	height	width
SHELKIT01	2.2 m	3.5 m	2.8 m	3.5 m	2.4 m	3.5 m

Nice Shelkit

Sectional

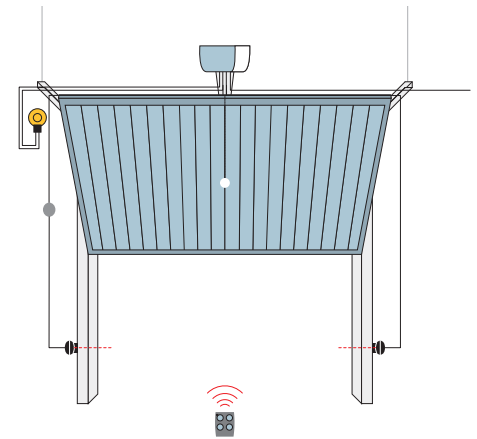


Projecting up-and-over door



Approximate draft

Non-projecting up-and-over door



Accessories



OGA0
spare control unit

Pc/Pack. 1
(price: see spare parts
price list)



SPA5
oscillating arm sliding
on bearings with optimised
structure for projecting
up-and-over doors

Pc/Pack. 1
€ 117,00



TS
signboard

Pc/Pack. 1
€ 2,50



The information shown in this publication is purely indicative. Nice reserves the right to make any modifications to the products as it sees fit.