

# ERA80

LESS IS MORE

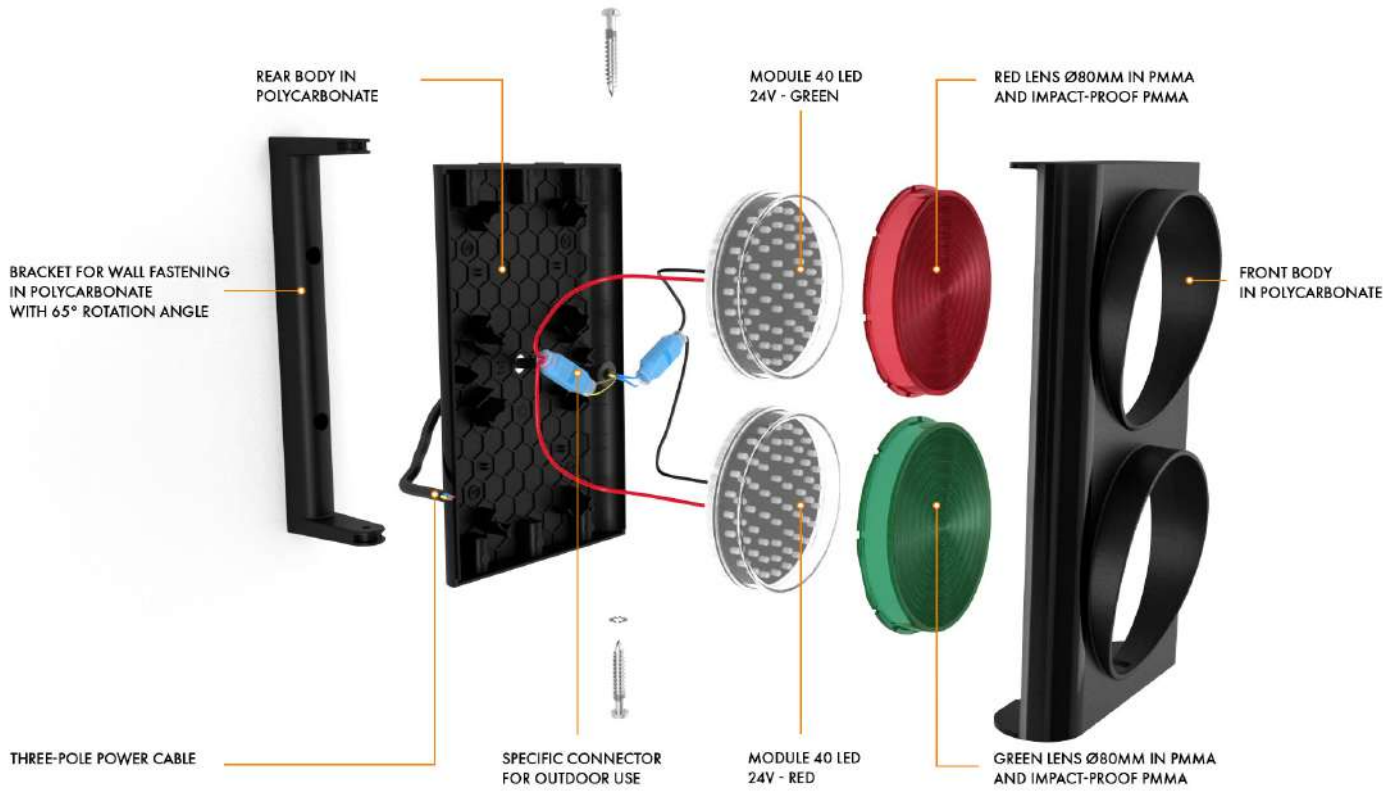
---



[www.stagnoli.com](http://www.stagnoli.com)



## Product details



## Models

VERTICAL



HORIZONTAL



## Easy to install

With ERA80, the installation process is simple thanks to the new fastening systems with a bracket and wall fastening

VERTICAL WITH BRACKET



HORIZONTAL WITH BRACKET



VERTICAL WITHOUT BRACKET



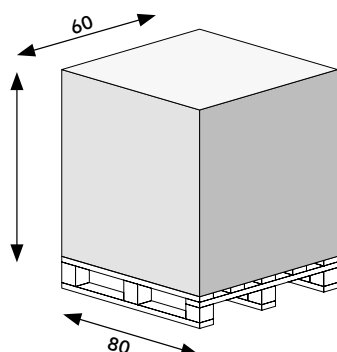
HORIZONTAL WITHOUT BRACKET



APPLICATION WITH POLE BRACKET



## Technical details



H120cm - pz.128



TECHNICAL DATA	ASFERA80 Vertical 2-light traffic light	ASFERA80D Directional vertical 2-light traffic light	ASFERA80O Horizontal 2-light traffic light	ASFERA80OD Directional horizontal 2-light traffic light
Power Supply	24V	24V	24V	24V
Absorbed rated current	0,13A	0,13A	0,13A	0,13A
Power	1,50W	1,50W	1,50W	1,50W
Luminosity	120Lx (+10Lx)	120Lx (+10Lx)	120Lx (+10Lx)	120Lx (+10Lx)
Working temperature	-20/+55°	-20/+55°	-20/+55°	-20/+55°
IP	56	56	56	56
Number of leds	40	40	40	40

# ASFERA80 TRAFFIC LIGHT

The traffic control light designed to meet both high standards of safety and a captivating, yet simple design, with clean lines, to adapt to any type of surroundings. It is ideal lighting for pedestrian and tunnel passageways, car parks, panoramic platforms and other outdoor spaces where further attention to safety is necessary.

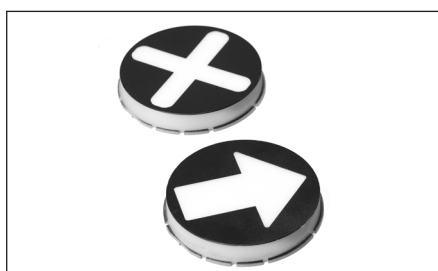


## Accessories



ASFERA80SP

Brackets for pole fastening



ASFERA80LD

Directional lens kit



APS

Galvanised pole (60mm)