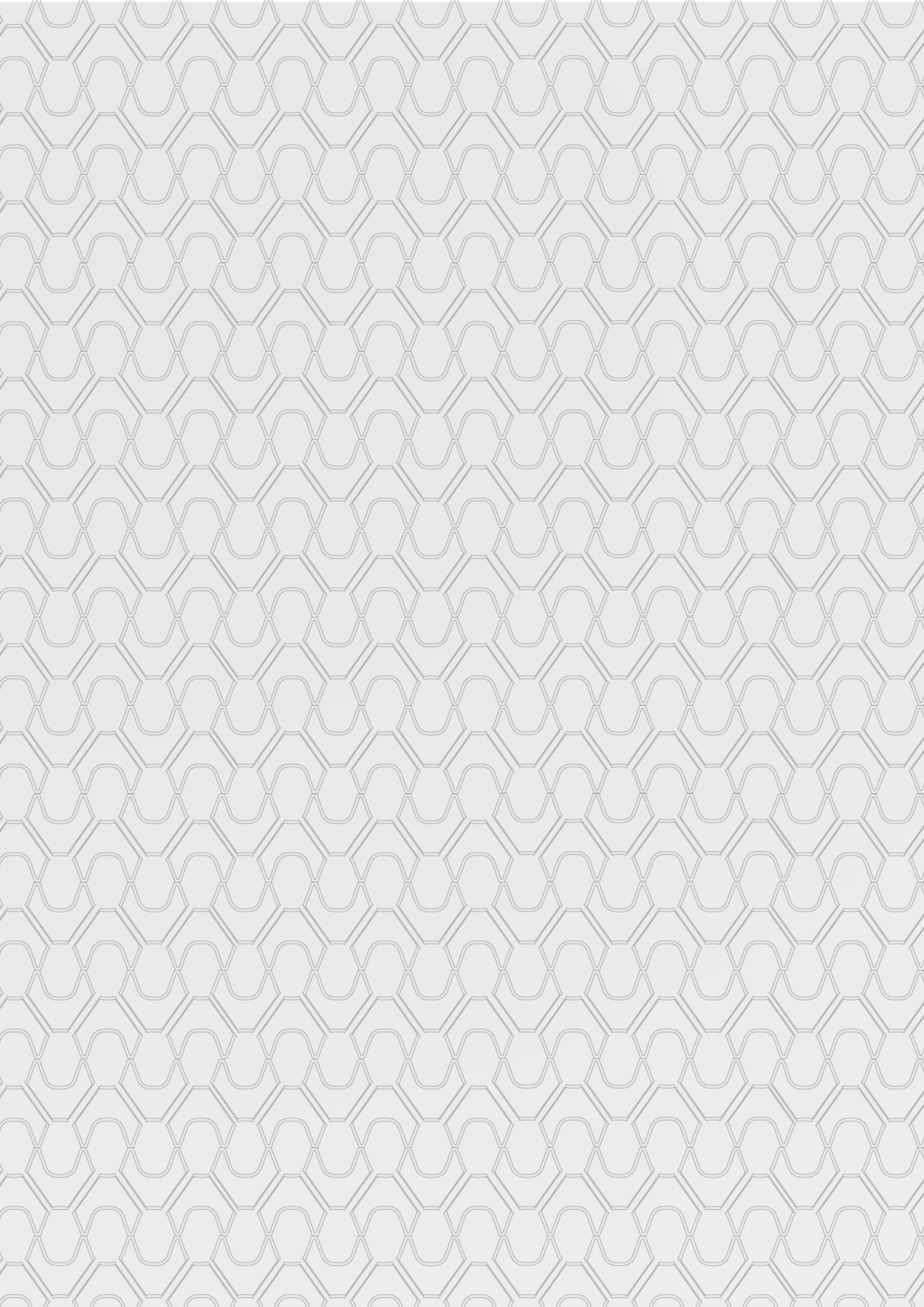


RACKS - TRAFFIC LIGHTS - TRAFFIC LIGHT CONTROL - FLASHING - PHOTOCELLS - SELECTORS - SENSORS



A SYNTHESIS OF WHAT WE ARE

Stagnoli is a Company established in Desenzano del Garda in 1980 by Francesco Albiero.

As all the successful companies, also Stagnoli was born from a winning idea to use plastic material for mechanical applications.

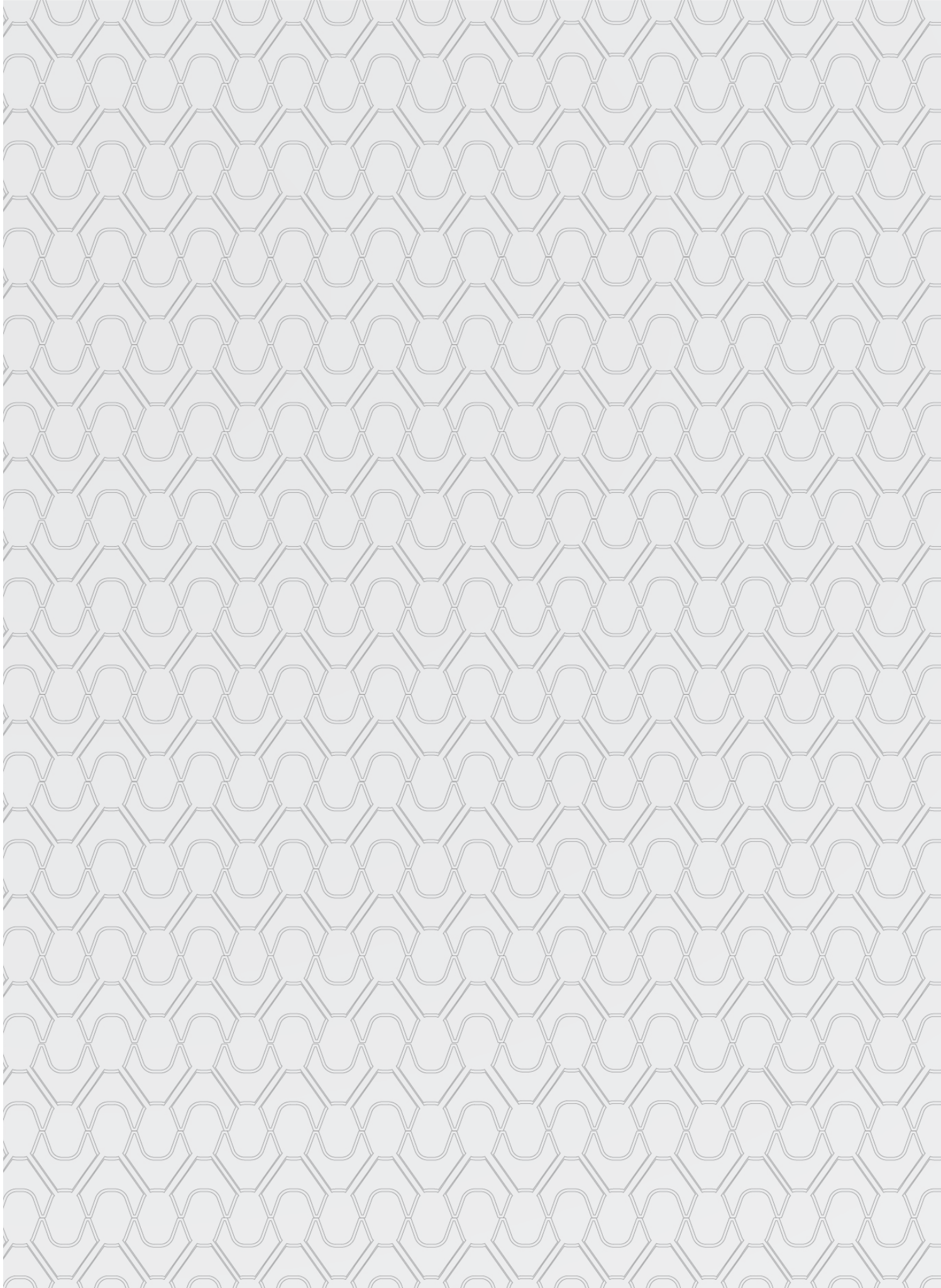
This road was followed since the beginning from Francesco who at today gives to the company a huge know how and from the technical and sales team that today represent the heart of Stagnoli.

Thanks to the ideal and to the long experience, Stagnoli has developed a huge range of its own products, both for the automations of doors and gates or for the security of the automation system.

The whole range of products that evaluated in the time is characterized by the innovative design, a particular attention to the quality and the functionality for the end user and for the operator who must make the installation.

Stagnoli has always pursued the concept of offering an Italian product that can be guarantee of quality and durability, 100% realized in Italy.

During these years, Stagnoli has developed a global market and today sells its products over many countries and realized a organized model oriented to the satisfaction of the customer.



INDEX



SIGNALING ACCESSORIES

07

ERA80	08
CHRONOS	12
APOLLO ALUMINUM	16
APOLLO PLAST	20
PEGASUS	26
SATURNO	28
ACNSEM3L	30



RACKS

33

NYLON	34
STEEL	46



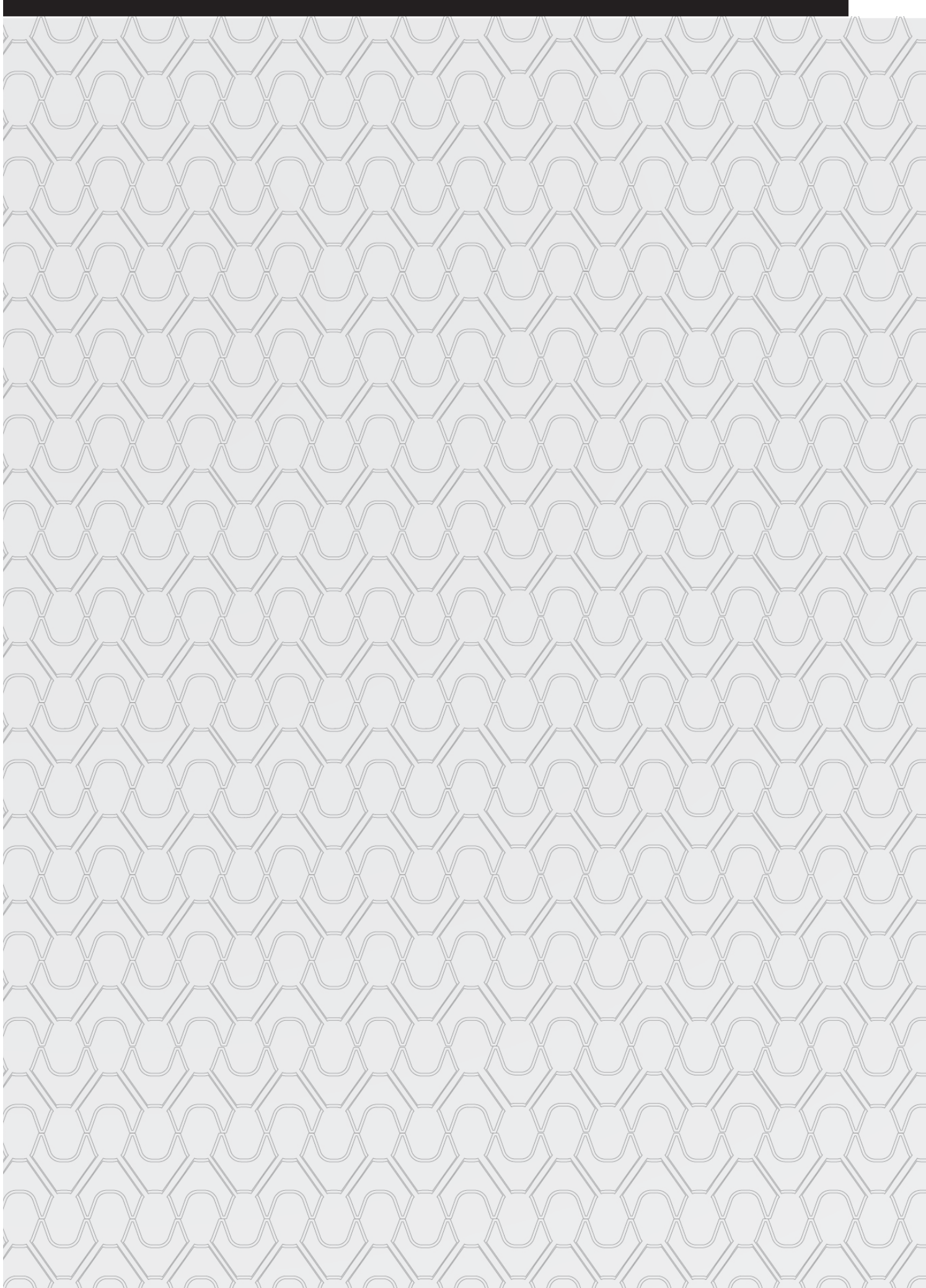
CONTROL ACCESSORIES

50



SAFETY ACCESSORIES

51





SIGNALING ACCESSORIES

07

ERA80	08
CHRONOS	12
APOLLO ALUMINUM	16
APOLLO PLAST	20
PEGASUS	26
SATURNO	28
ACNSEM3L	30

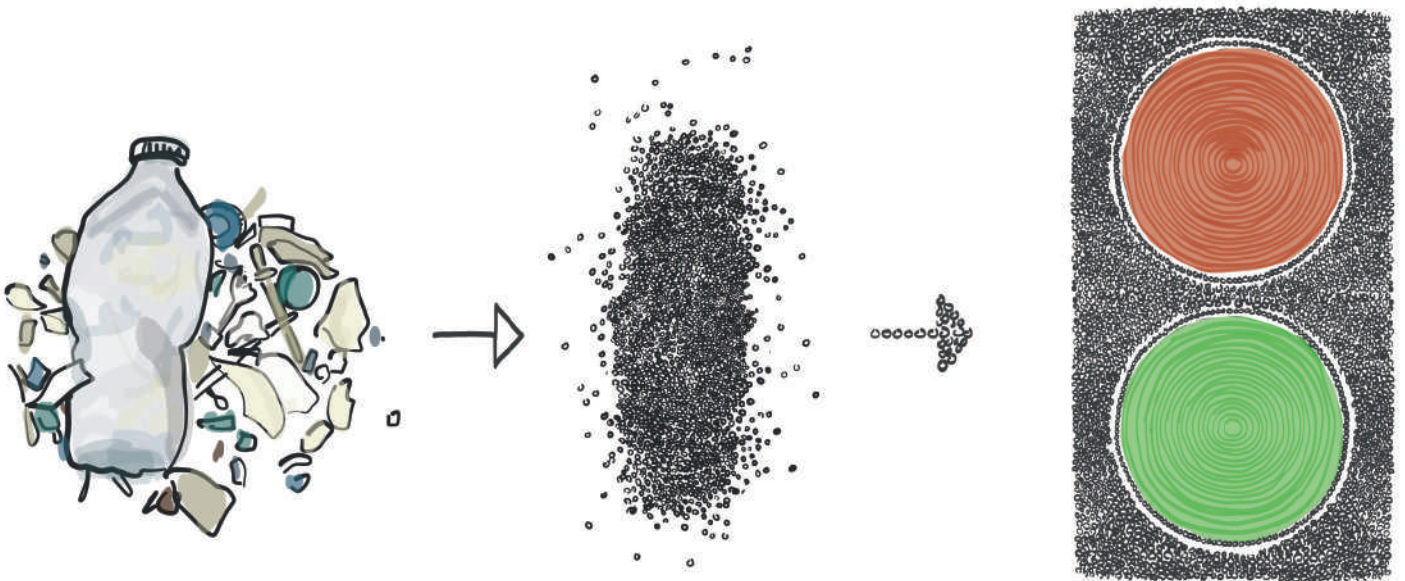
ERA80



— MADE IN ITALY —

YOUR SUSTAINABLE ALLY

Our commitment to creating a more sustainable environment begins with the goal to use renewable energy and top quality recyclable materials.



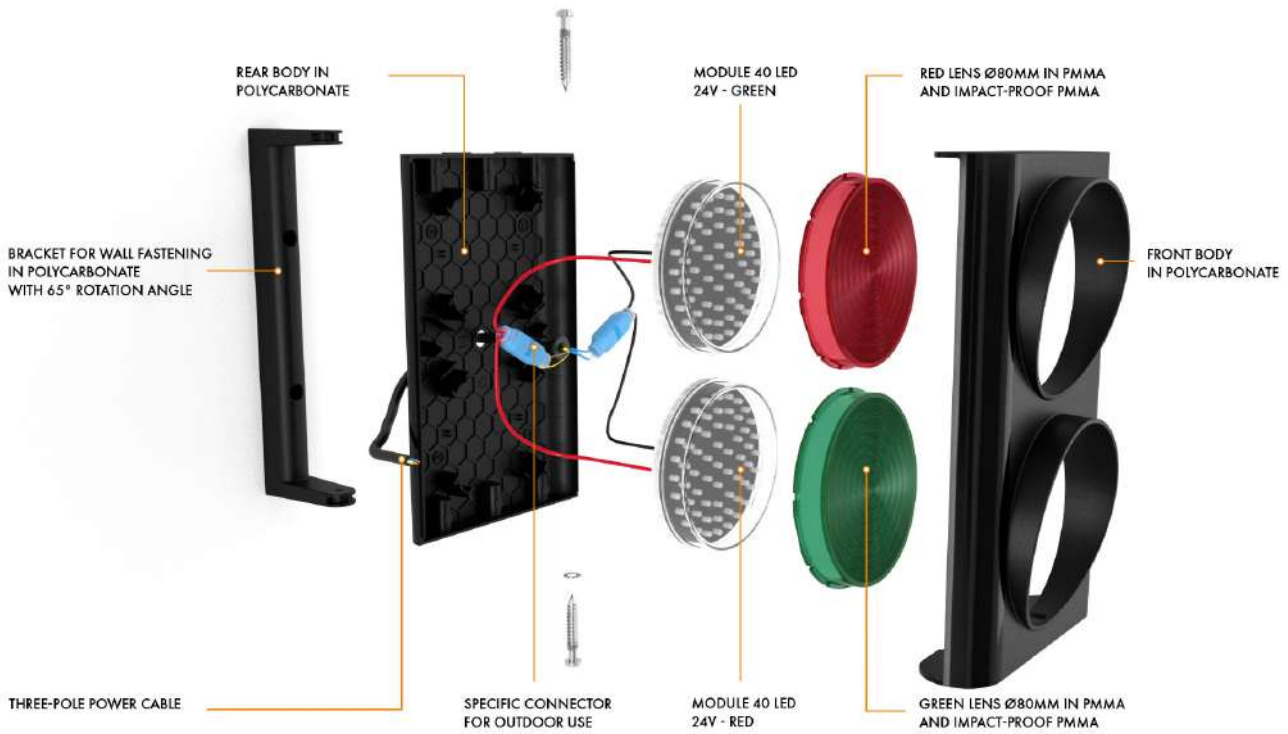
ERA 80 is a traffic light lantern in post-consumer recycled plastic, the first in the world in its kind. Developed following the principles of sustainable development: a lantern made with a polyamide produced entirely from industrial waste and recycled plastic waste manufactured with minimum energy consumption and maximum resource recovery.

It is also the first product conceived thanks to the encounter between an ethical designer, Simone Sabatti, and the team of Stagnoli T.g. Srl., A company that believes in research and innovation., Of which ERA80 is the first product of the 100% green line.

The traffic light lantern is designed to meet both high safety standards and a attractive but simple design, with pure shapes, to adapt to all types of scenarios. IS ideal lighting for walkways, tunnels, car parks, viewing platforms and other outdoor spaces where additional attention to safety is required.

ERA 80 is not a canonical object of "design", but this is precisely the approach to sustainability we believe in: no product should be excluded.

Product details



Models

VERTICAL



HORIZONTAL



Easy to install

With ERA80, the installation process is simple thanks to the new fastening systems with a bracket and wall fastening

VERTICAL WITH BRACKET



HORIZONTAL WITH BRACKET



VERTICAL WITHOUT BRACKET



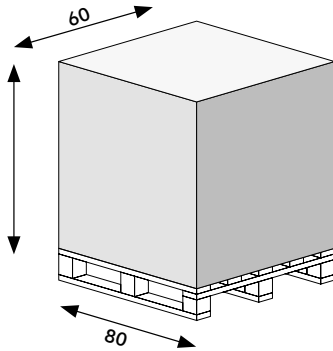
HORIZONTAL WITHOUT BRACKET



APPLICATION WITH POLE BRACKET



Technical details



H120cm - pz.48

TECHNICAL DATA	ASFERA80 Vertical 2-light traffic light	ASFERA80D Directional vertical 2-light traffic light	ASFERA80O Horizontal 2-light traffic light	ASFERA80OD Directional horizontal 2-light traffic light
Power Supply	24V	24V	24V	24V
Absorbed rated current	0,13A	0,13A	0,13A	0,13A
Power	1,50W	1,50W	1,50W	1,50W
Luminosity	120Lx (+10Lx)	120Lx (+10Lx)	120Lx (+10Lx)	120Lx (+10Lx)
Working temperature	-20/+55°	-20/+55°	-20/+55°	-20/+55°
IP	56	56	56	56
Number of leds	40	40	40	40

ASFERA80 TRAFFIC LIGHT

The traffic control light designed to meet both high standards of safety and a captivating, yet simple design, with clean lines, to adapt to any type of surroundings. It is ideal lighting for pedestrian and tunnel passageways, car parks, panoramic platforms and other outdoor spaces where further attention to safety is necessary.

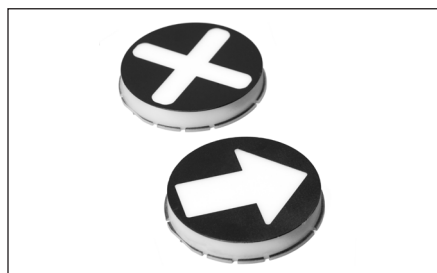


Accessories



ASFERA80SP

Brackets for pole fastening



ASFERA80LD

Directional lens kit



APS

Galvanised pole (60mm)

CHRONOS





EXTERNAL USE






ONLY POWER



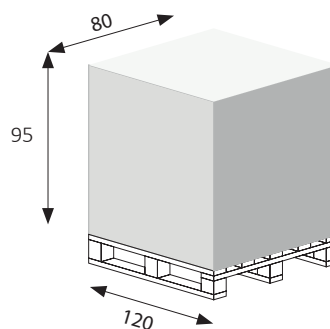
EASY TO INSTALL



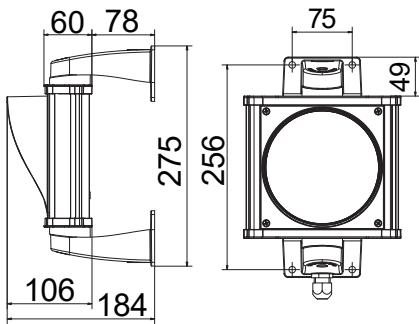
ANTI-VANDAL

Product	Code	Power supply V	Power W	Color	Number of lights	Brightness Lm	Working temperatures C°	Number of LEDs	ø Lens mm	Protection IP	Weight Kg	Pallet
1 LIGHT 	CHR1LG	24V ac/dc	2W	●	1	122Lm	-20 +55°	18	120	66	1.54	72
	CHR1LR			●								
	CHR1LV	230V ac	5W	●								
2 LIGHTS 	CHR2LRV	24V ac/dc	2W	● ●	2	122Lm	-20 +55°	18	120	66	2.40	48
		230V ac	5W									
3 LIGHTS 	CHR3LRGV	24V ac/dc	2W	● ● ●	3	122Lm	-20 +55°	18	120	66	3.28	36
		230V ac	5W									

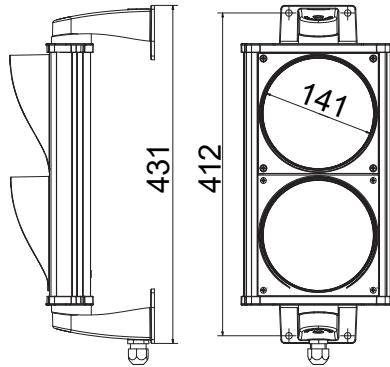
**PALLET
DIMENSIONS**



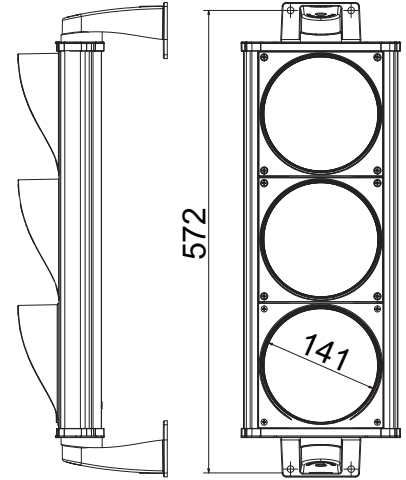
DIMENSIONS AND SIZE



TRAFFIC LIGHT WITH 1 LIGHT



TRAFFIC LIGHT WITH 2 LIGHTS



TRAFFIC LIGHT WITH 2 LIGHTS

FIELDS OF APPLICATION



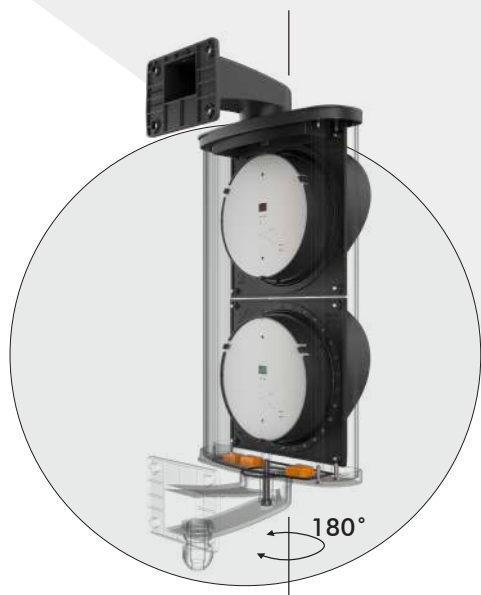
PRIVATE



LOGISTICS



PARKING AREA



180 ° ROTATABLE AND HIDDEN CABLE PASSAGE IN THE BRACKET FOR MAXIMUM SAFETY.



TRAFFIC LIGHT
CHRONOS

PARTICULAR
INDIVIDUAL COMPONENTS

Consisting of an aluminum profile, powder coated with reinforcements internal, technopolymer covers, for a rigidity and resistance unsurpassed mechanics. Lens e sun visor, a single piece that is water-proof and leakproof.



A multivoltage traffic light, easy to wire as it automatically detects the incoming voltage (from 24 to 230V), 18 LEDs per lamp for optimal brightness, possibility of disassembling the electronics from the front, for both repairs and maintenance.

ACCESSORIES



CHRMS

Short bracket kit 55mm for Chronos.



AMPS

Pair of brackets for attaching the traffic light to the pole.



APS

Galvanized pole (Ø 60mm) for traffic light support, length 3m.

APOLLO

ALUMINUM











EXTERNAL USE



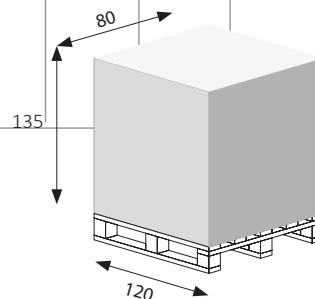
ANTI VANDAL

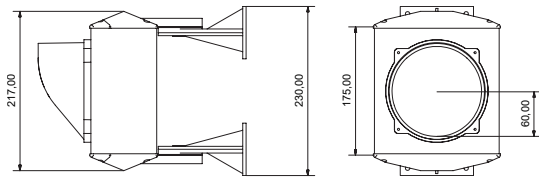


EASY TO INSTALL

Product	Code	Power supply V	Power W	Color	Number of lights	Brightness Lm	Working temperatures C°	Number of LEDs	ø Lens mm	Protection IP	Weight Kg	Pallet
	ASF25L1R	24V ac/dc	2W		1	50Lm (±5)	-30 +80	25	120	65	1.42	72
	ASF25L1G											
	ASF25L1V	230V ac	5W		ASF25L1R230							
	ASF25L1G230											
	ASF25L1V230											
	ASF1R											
ASF1G	230V ac	70W	ASF1V	1	900Lm	-30 +80	BULB	120	65	1.50	72	
ASF25L2RVC				24V ac/dc	2W		2	50Lm (±5)	-30 +80	25	120	65
ASF25L2R												
ASF25L2RV230	230V ac	5W		ASF50L1RV-01								
ASF50L1RV230-01												
ASF25L2RVD												
ASF25L2RV230D												
ASF25L2RVC230	230V ac	70W	ASF2RV	2	900Lm	-30 +80	BULB	120	65	3.20	48	
ASF25L3GRV				24V ac/dc	2W		3	50Lm (±5)	-30 +80	25	120	65
ASF25L3GRV230												
ASF3GRV	230V ac	70W		3	900Lm		-30 +80	BULB	120	65	3.90	36

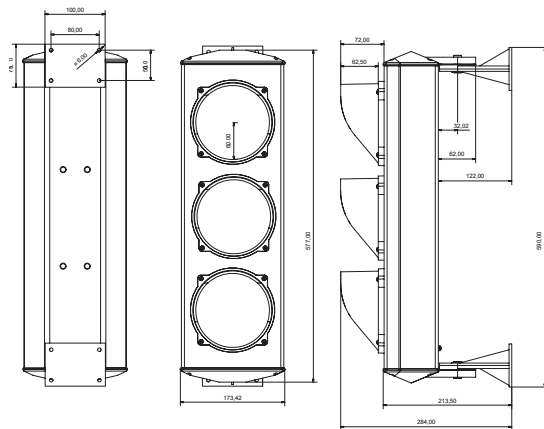
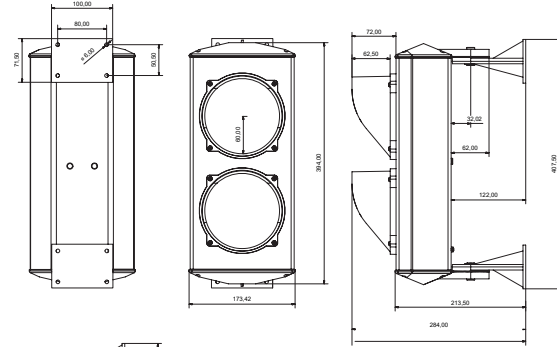
**PALLET
DIMENSIONS**





DIMENSIONS AND SIZE
TRAFFIC LIGHT WITH 1 LIGHT

TRAFFIC LIGHT WITH 2 LIGHTS



TRAFFIC LIGHT WITH 3 LIGHTS

FIELDS OF APPLICATION



TERMINAL



LOGISTICS



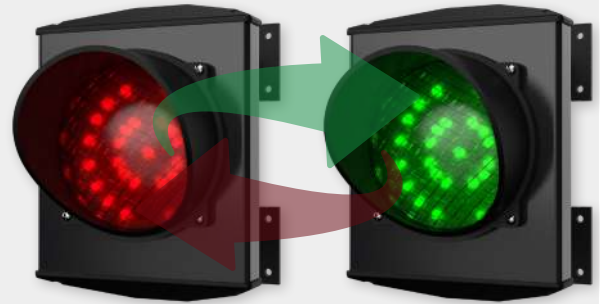
CONSTRUCTION
SITES



**TRAFFIC LIGHT
TWIN COLOR**

CODE: ASF50L1RV-01
ASF50L1RV230-01

Double color
(red-green)
in one body with
50LEDs (25+25) integrated



**DIRECTIONAL TRAFFIC LIGHT
DOUBLE LENS**

CODE: ASF25L2RVD
ASF25L2RV230D

Traffic light supplied with a
directional arrow and a cross.
Lens printed through a screen printing process.
Neutral lens color and technical characteristics
equivalent to 2-light traffic lights.

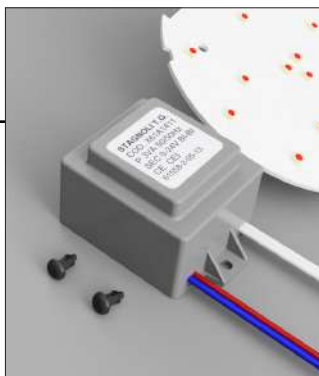
**TRAFFIC LIGHT WITH MALE
QUICK COUPLING /
FEMALE**

CODE: ASF25L2RVC
ASF25L2RV230C

Traffic light supplied with quick
coupling external with male coupling
/female, equivalent characteristics
at the 2-light traffic light.



ACCESSORIES



ASF230

Conversion kit to allow the use of
Apollo traffic lights from
24V to 230V.



AMPS

Pair of brackets for attaching the
traffic light to the pole.



APS

Galvanized pole (Ø 60mm) for
traffic light support, length 3m.

APOLO PLAST









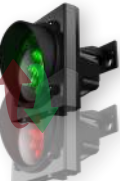


EXTERNAL USE



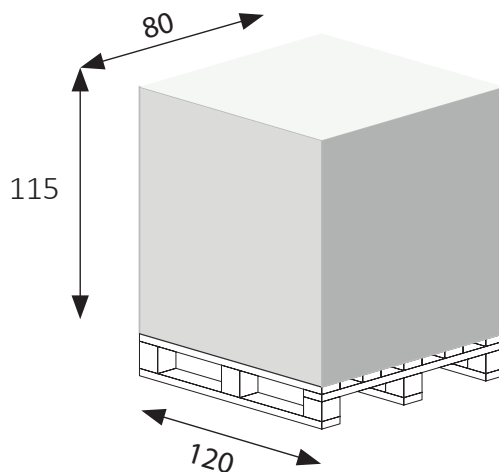
ANTI VANDAL



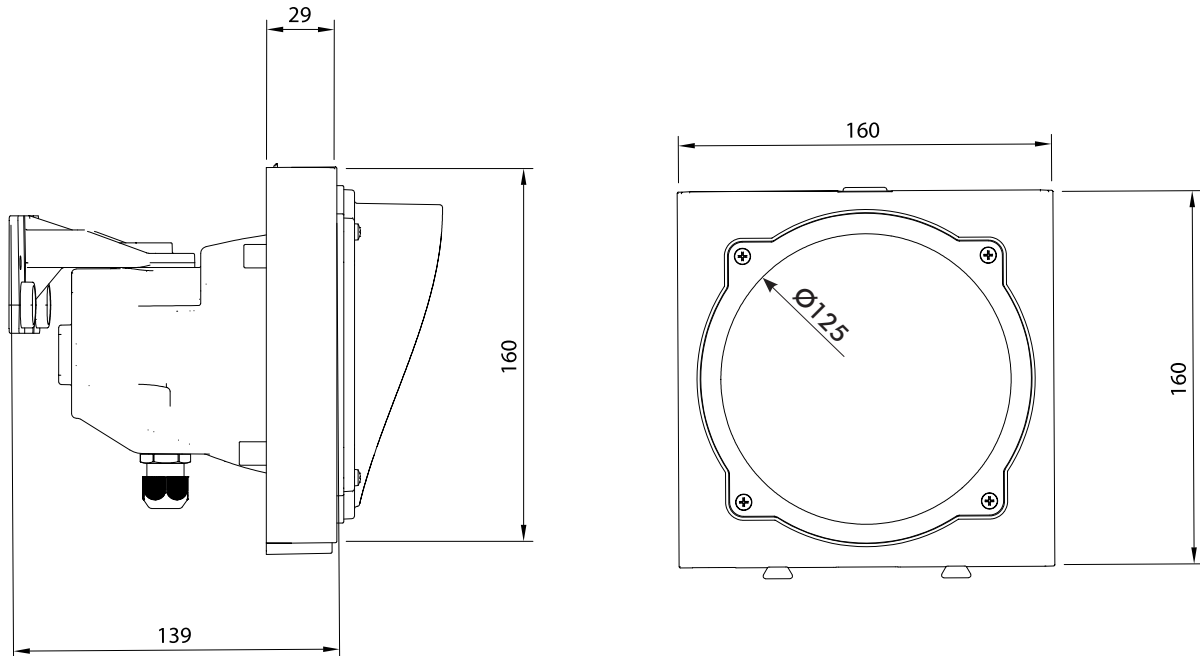
EASY TO INSTALL

Product	Code	Power supply V	Power W	Color	Number of lights	Brightness Lm	Working temperatures C°	Number of LEDs	ø Lens mm	Protection IP	Weight Kg	Pallet
	ASFR	24V ac/dc	1,5W	  	1	35Lm (±5)	-20 +55	18	120	65	0,60	144
	ASFG											
	ASFV											
	ASF36L1RV	24V ac/dc	1,5W	 	2	35Lm (±5)	-20 +55	18	120	65	0,60	144
	ASF36L1RV230	230V ac	3W								0,98	144

**PALLET
DIMENSIONS**



DIMENSIONS AND SIZE TRAFFIC LIGHT WITH 1-2 LIGHTS



FIELDS OF APPLICATION



TERMINAL



LOGISTICS



CONSTRUCTION SITES



**TRAFFIC LIGHT
TWIN COLOR**

CODE: ASF36L1RV
ASF36L1RV230

Double color
(red-green)
in one body with
36LEDs (18+18) integrated

**MODULARITY
OF THE BODIES**

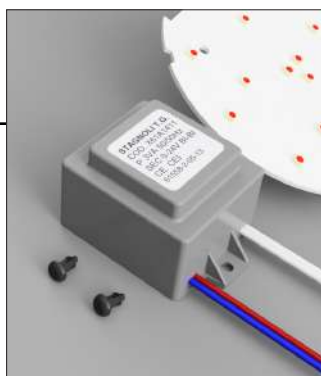
The clips placed
below the traffic light,
allow you to modulate your traffic
light easily from 2 to 3 bodies.



CHANNEL CLIP
in order to hide the cable avoiding its
visibility.



ACCESSORIES



ASFK230

Conversion kit to allow the use of
Apollo traffic lights from
24V to 230V.



AMPS

Pair of brackets for attaching the
traffic light to the pole.



APS

Galvanized pole (Ø 60mm) for
traffic light support, length 3m.



CUSTOMIZATIONS OF OUR PRODUCTS

STAGNOLI OFFERS ON CUSTOMER REQUEST,
A PRODUCT CUSTOMIZATION SERVICE:
ERA80, APOLLO ALUMINUM, APOLLO PLAST.





**APOLLO
ALUMINUM**

**APOLLO
PLAST**

CHRONOS

ERA80

MATERIALS	ALUMINUM + NYLON	NYLON	ALUMINUM + NYLON	PPA
NUMBER OF LEDS	25	18	18	40
BRIGHTNESS [LX]	50	40	70	120
IP	65	65	66	56
MODULAR	×	✓	×	×
SUPPLY [V]	24/230	24*	UNICA 24 › 230	UNICA 24
CABLE PASSAGE	EXTERNAL	EXTERNAL	INTERNAL	EXTERNAL
LENS SIZE [MM]	120	120	125	80

PEGASUS



APNL



APAL



APGL



Pegasus led flashing light with integrated antenna and multi power supply

- Multi voltage 12-24-230V ac / dc
- Fixed flashing light - Modern design (design award 2003)
- Integrated antenna (433Mhz)

ACCESSORIES

**KAFPG**

Gray wall fixing support, complete with screws and gaskets

SATURNO



1Km
485

WEB
APP

10

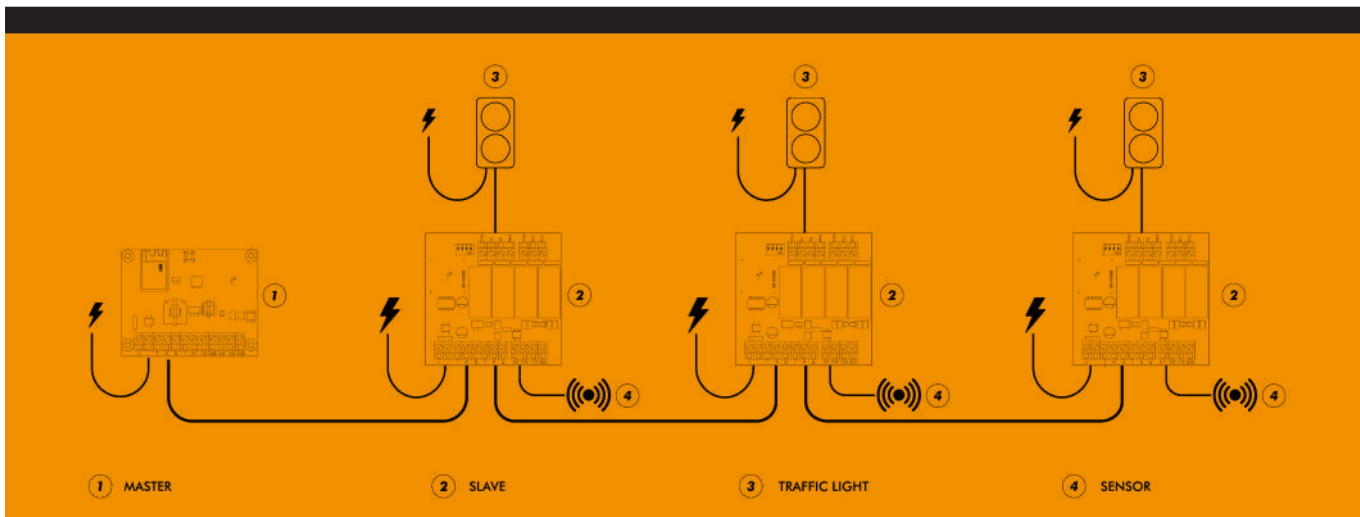
FICLIGHT
MAFORI
FEU

WIFI
NET

PRIORITY
TIME BASED
CAR COUNTER
GREEN
PARKING

AUX
CONTACT





		Supply	Work time	Protection
		V	C°	IP
SATURNO-S	Slave	230	-20 <> 50	45
SATURNO-M	Master			
SATURNO-K	Kit: 1 master, 2 Slave			



After years of experience in the traffic light industry for private environments, Stagnoli introduces a new control panel that meets all the installers' requirements. From integrated time management to area management for up to 10 traffic lights for each installation. All these features have been improved thanks to 2.0 technology without the help of third apps. You just need to use the internal wi-fi network included in the Saturno panel.



MANAGEMENT OF MULTI-STOREY PARKING



MANAGEMENT OF MULTI ENTRANCE PARKING

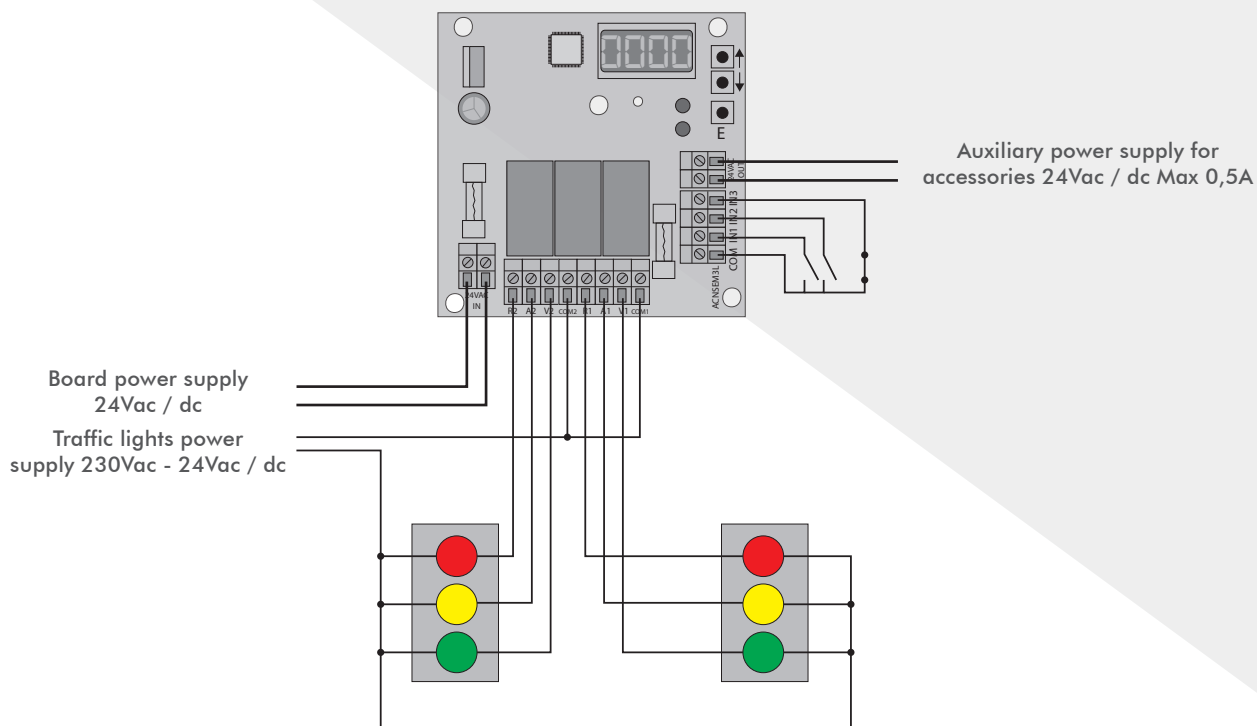


MANAGEMENT OF UNIQUE ALTERNATE WAYS

ACNSEM3L

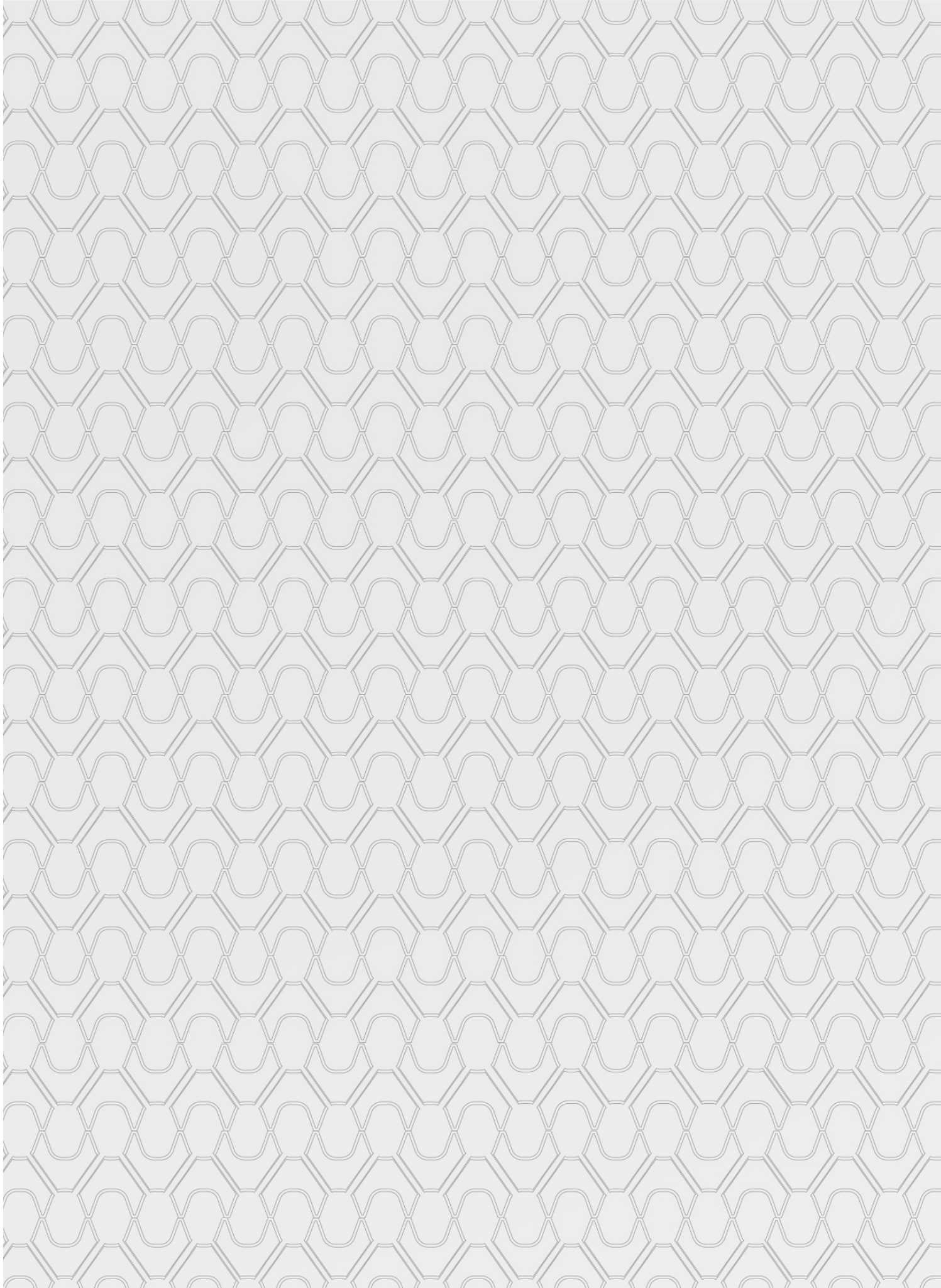


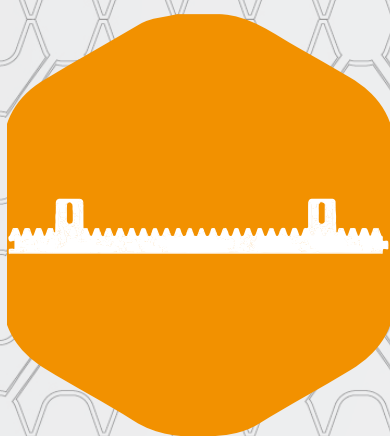
ACNSEM3L is a card for the management of two traffic lights with 2 or 3 lights which allows to manage indifferently 12-24 or 230 V ac / dc lanterns. With the two operating modes, one cyclic based on time and one based on priority logic with the aid of external sensors, it is particularly suitable for managing alternating one-way streets especially on ramps or slides with poor visibility.



Control unit compatible with fire prevention regulations for garages (DM 1-2-86, DM 21-2-17)

	Power Supply	Auxiliary Power Supply
	V	A
ACNSEM3L	24	24
ACNSEM3L230	230	24





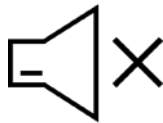
RACKS

**NYLON
STEEL**

33

**34
46**

Advantages and technical characteristics



Silence

Compared to metal, nylon racks are much quieter because the teeth undergo thermal expansion of the material, compensating for any misalignments in rotation. In addition, they have the ability to absorb vibrations. This is due to the intrinsic nature of technopolymers, and of plastics in general, which allow to dampen noise and therefore reduce the transmission of vibrations.



Self-lubrication

The molecular structure of the nylon guarantees such a low coefficient of friction and wear that lubrication is not necessary.



Lightness

Another advantage offered by nylon racks, but no less important, is the low specific weight, which makes the transmission part in plastic much lighter than those in metal, consequently increasing the fields of application in sectors where minimization is required. . weight, with the consequence of being able to optimize shipping and logistics costs.



Weather resistant

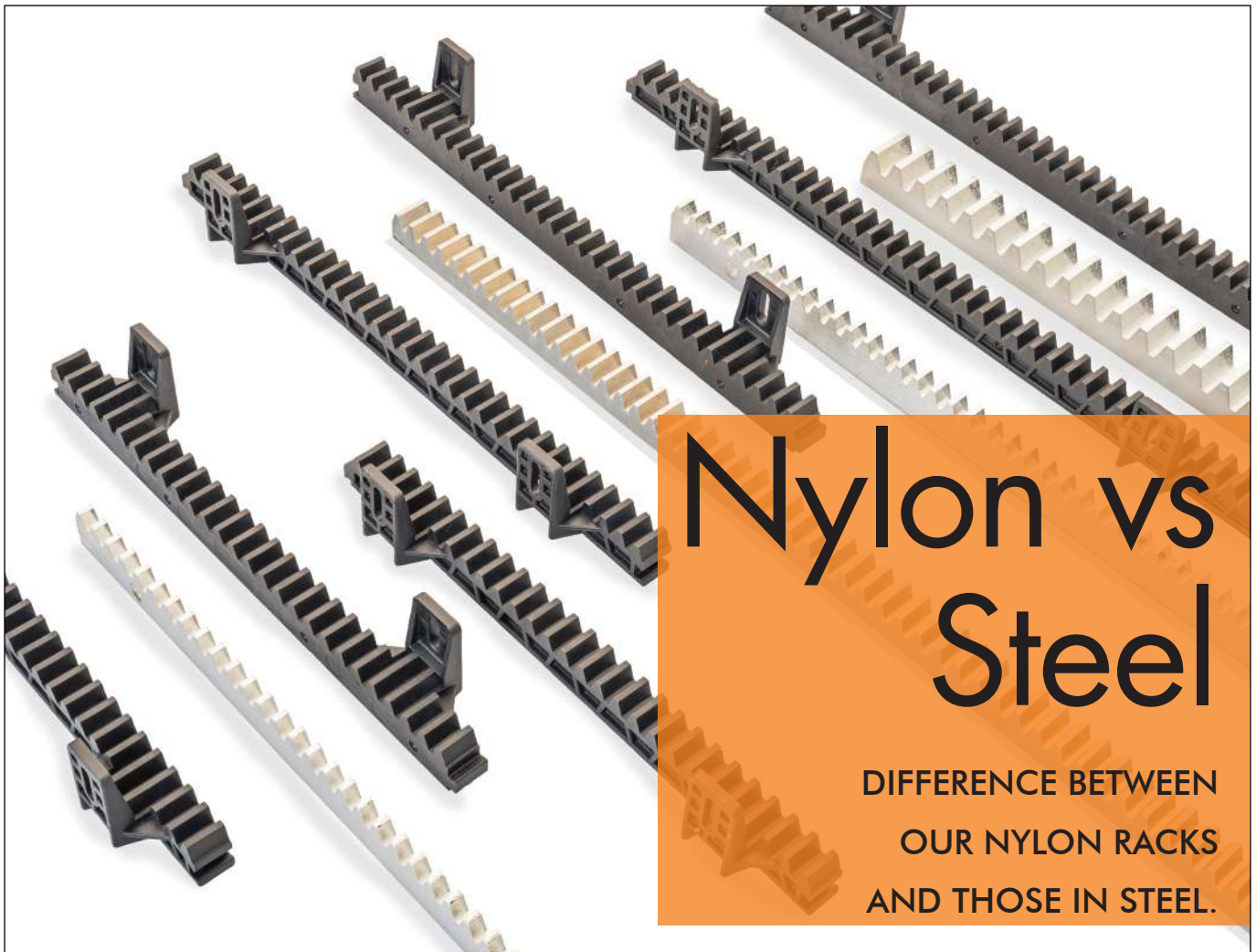
The characteristics of the materials and the appropriate measures adopted in the design stage are able to guarantee correct operation even in adverse weather conditions:

- thermal changes within the range of operating temperatures indicated for each product, the sudden temperature change does not create problems thanks to the toughness of the materials used;
- presence of water or humidity which can give rise to hydrolysis processes and absorption of a certain percentage of water / humidity, with relative modification of some mechanical properties of the material.
- exposure to sunlight, and in particular to their UV comp



Economic

The experience and particular attention in the design phase allow us to maintain a cost band that tends to be much lower than the steel rack.

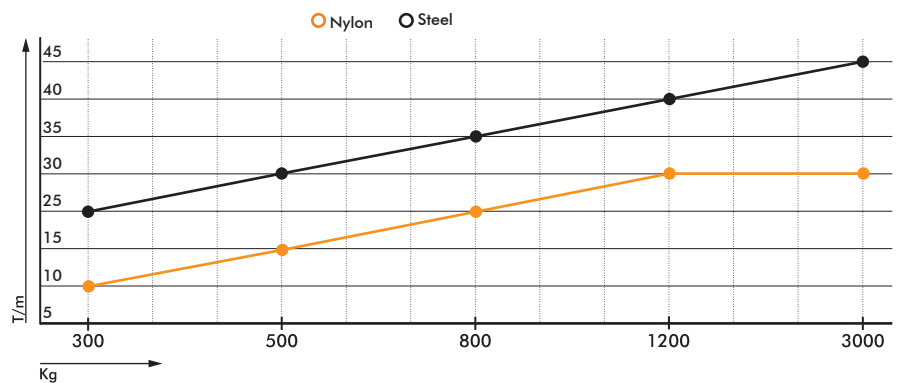


Nylon vs Steel

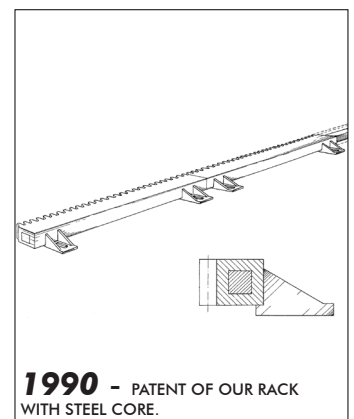
DIFFERENCE BETWEEN OUR NYLON RACKS AND THOSE IN STEEL.

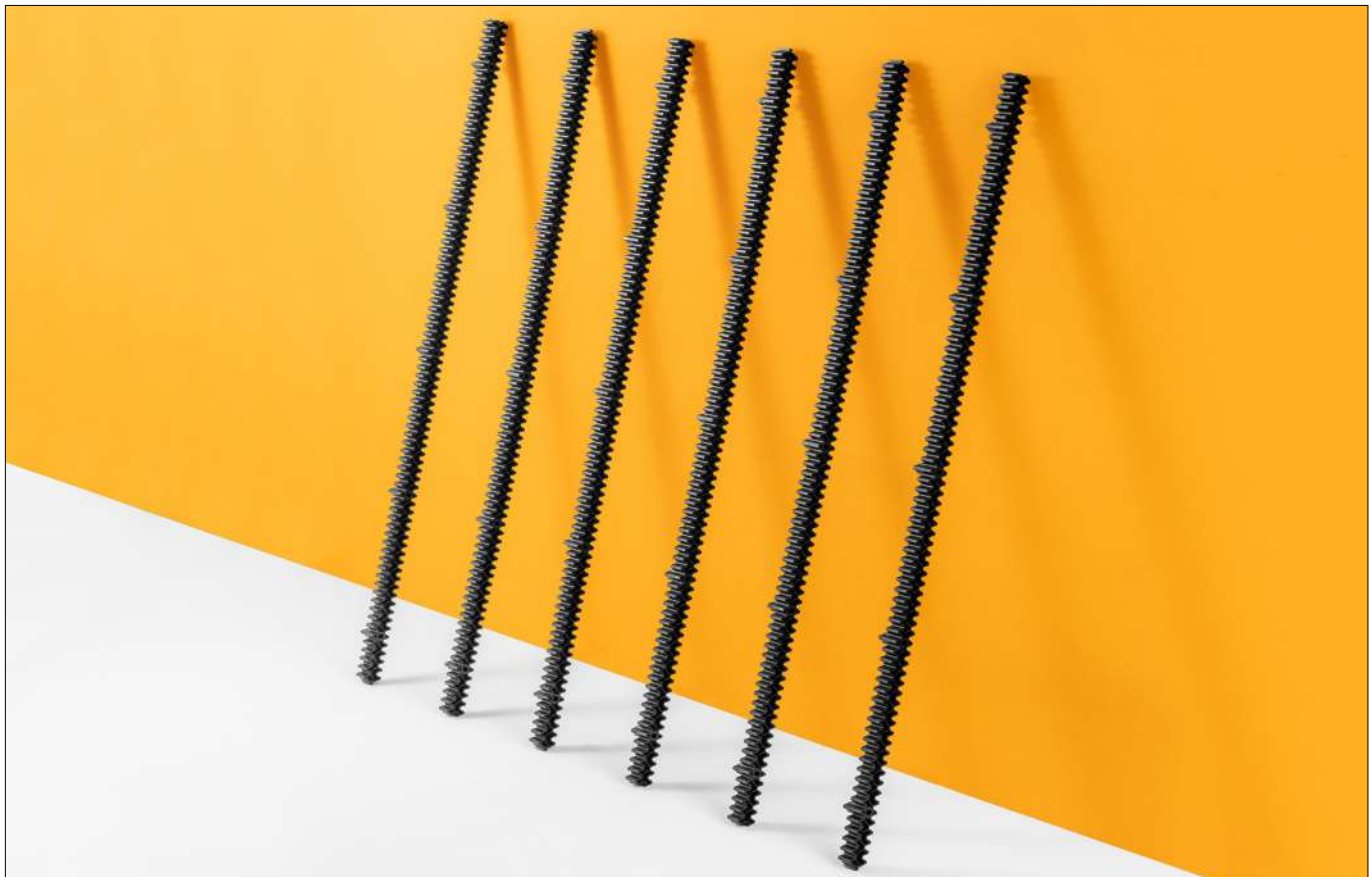
Our range of gate shelving consists of numerous models, satisfy to satisfy the needs of any professional and any type of gate, such as those in light aluminum or industrial ones. In particular, since 1981, Stagnoli has been producing nylon racks with capacities up to 1200kg

Unlike the iron ones, the nylon racks guarantee several advantages: lightness, absence of lubrication, absence of rust and noiselessness are just some of the advantages of this Material. Furthermore, with the nylon rack, it is not necessary to carry out any welding, which is instead required by the iron racks and which makes the assembly and maintenance process more cumbersome. Stagnoli guarantees an efficient service to its customers, treat yourself of the realization of your own



racks for gates, from the choice of raw materials to the definition of the molding process and quality tests. The constant monitoring of every detail during the production phases allows the creation of a product of excellent quality and completely Made in Italy. Furthermore, the use of cutting-edge technologies and in-depth design research make our proposal the best solution for every sector and for any plant.

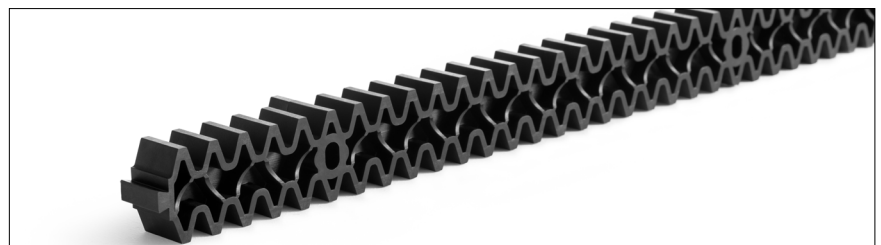




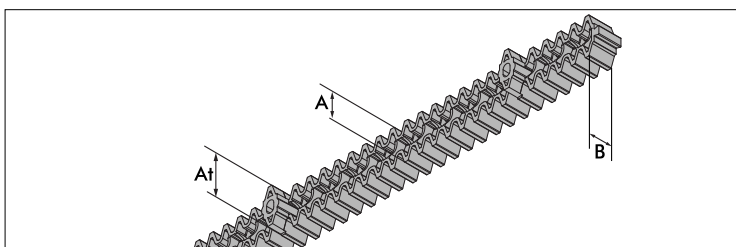
Racks **without steel core**, entirely in technopolymer that does not compromise straightness and linearity despite its length is equal to 1 meter, this thanks to the geometries designed to cancel the deformations.

The presence of 5 central attachments and double toothing allows the use of the rack in both directions without distinction making it perfectly symmetrical. Thanks to continuous research and development on plastic materials, this rack is tested for gates with a maximum capacity of **500Kg**.

New racks **ACRN5**



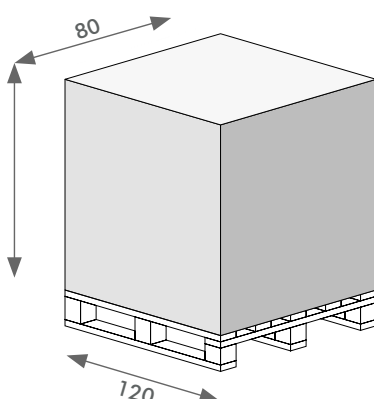
Product details



Technical detail

AVAILABLE ACCESSORIES

- N°5 self-drilling screws



PALLET DIMENSIONS

Racks/Pallet
1020 mt - h 100 cm

ACRN5	
Width:	20 mm
Partial height:	14 mm
Total height:	32 mm
Length:	1000 x 6=(6000)mm
Weight:	0,36x6=(2,16)kg
Capacity:	500 Kg
Number of junctions:	5

S6-1200

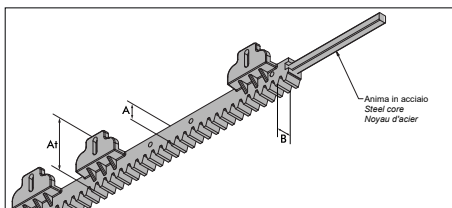
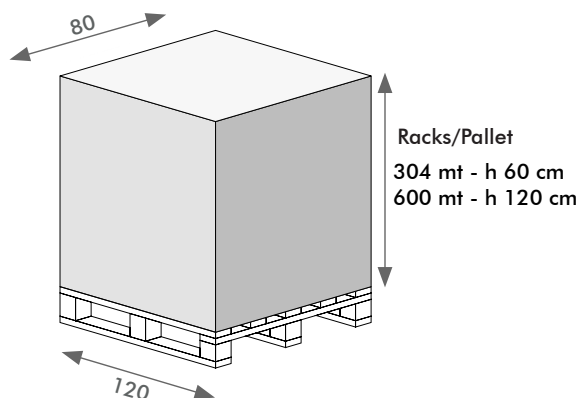
RACK M4x1000 COLOR GREY

with superior overlapping in pieces for gates weighing a maximum of 1200 Kg, given the reinforced hooks and the special material used.

AVAILABLE ACCESSORIES

- SAC014
- ACRFF
- ACRSCUN

PALLET DIMENSIONS



Technical detail



Product details

S6-1200

Width:	20 mm
Partial height:	28 mm
Total height:	60 mm
Lenght:	1.000 mm
Weight:	1.336 g
Capacity:	1.200 Kg
Number of junctions:	6

Steel core



V6-1200

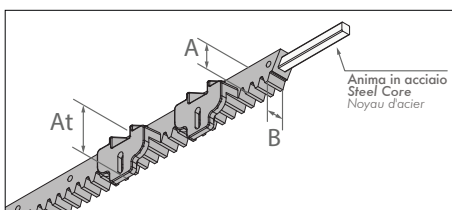
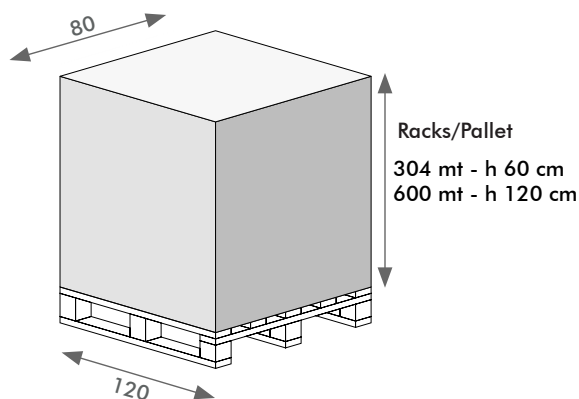
RACK M4x1000 COLOR GREY

with lower overlapping in pieces for gates weighing a maximum of 1200 Kg, given the reinforced hooks and the special material used.

AVAILABLE ACCESSORIES

- SAC014
- ACRFF
- ACRSCUN

PALLET DIMENSIONS



Technical detail



Product details

V6-1200

Width:	20 mm
Partial height:	28 mm
Total height:	60 mm
Lenght:	1.000 mm
Weight:	1.336 g
Capacity:	1.200 Kg
Number of junctions:	6

Steel core



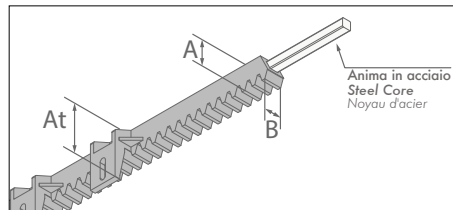


ACRV6

MAX1000 MM GREY COLOUR RACK
with six lower overlapping Max 800 Kg.

AVAILABLE ACCESSORIES

- SAC012
- ACRFF
- ACRSCUN

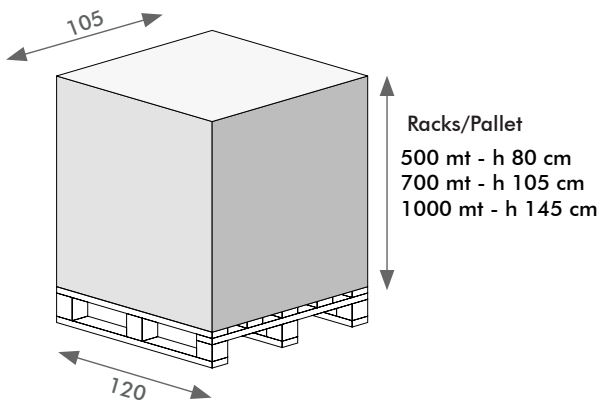


Technical detail



Product details

PALLET DIMENSIONS



ACRV6

Width:	20 mm
Partial height:	28 mm
Total height:	60 mm
Length:	1.000 mm
Weight:	1.328 g
Capacity:	800 Kg
Number of junctions:	6

Steel core

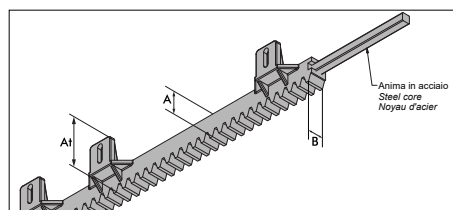


ACRS6

MAX1000 MM GREY COLOUR RACK
with six superior overlapping Max 800 Kg

AVAILABLE ACCESSORIES

- SAC012
- ACRFF
- ACRSCUN

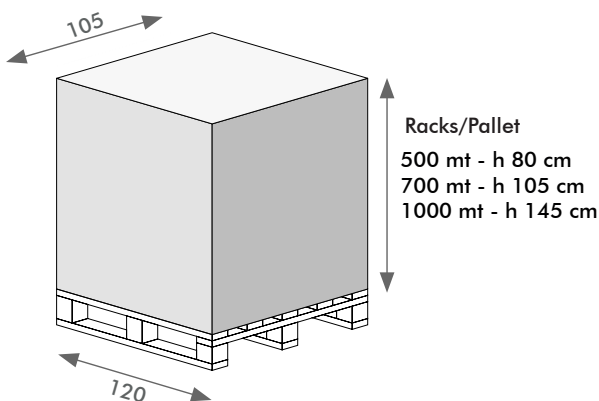


Technical detail



Product details

PALLET DIMENSIONS



ACRS6

Width:	20 mm
Partial height:	28 mm
Total height:	60 mm
Length:	1.000 mm
Weight:	1.318 g
Capacity:	800 Kg
Number of junctions:	6

Steel core



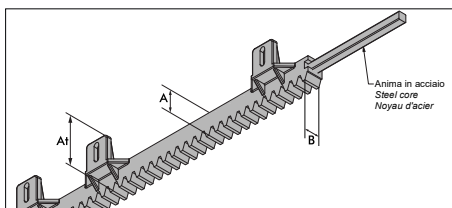
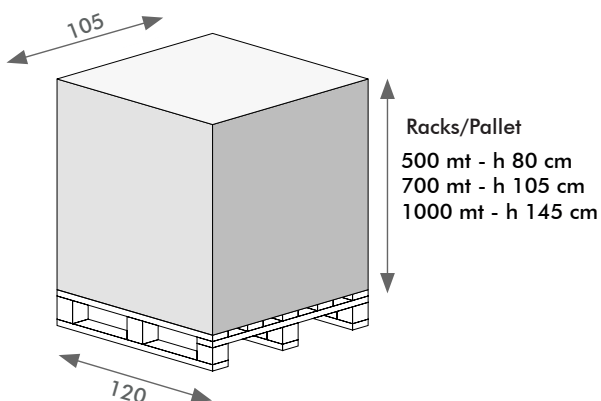
ACRS6N

M4X1000 MM GREY COLOUR RACK
with six superior overlapping Max 800 Kg

AVAILABLE ACCESSORIES

- SAC012
- ACRFF
- ACRCUN

PALLET DIMENSIONS



Technical detail



Product details

ACRS6N	
Width:	20 mm
Partial height:	28 mm
Total height:	60 mm
Lenght:	1.000 mm
Weight:	1.318 g
Capacity:	800 Kg
Number of junctions:	6

Steel core



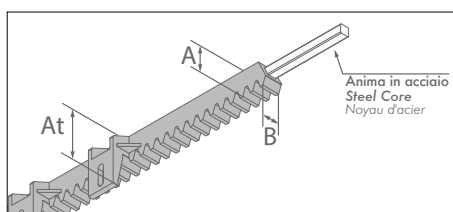
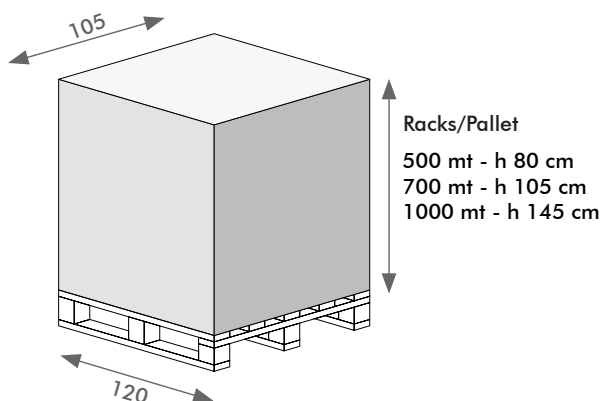
ACRN6

M4X1000 MM BLACK COLOUR RACK
with six lower overlapping Max 700 Kg.

AVAILABLE ACCESSORIES

- SAC012
- ACRFF
- ACRCUN

PALLET DIMENSIONS



Technical detail



Product details

ACRN6	
Width:	20 mm
Partial height:	28 mm
Total height:	60 mm
Lenght:	1.000 mm
Weight:	1.328 g
Capacity:	700 Kg
Number of junctions:	6

Steel core



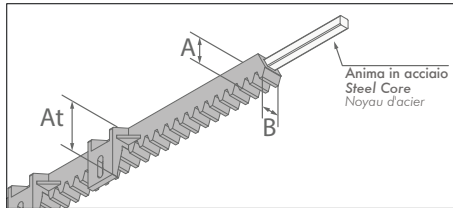


N6C

M4X1000 MM BLACK COLOUR RACK
with six lower overlapping and dovetail alignment system Max 700 Kg.

AVAILABLE ACCESSORIES

- SAC012
- ACRFF
- ACRSCUN

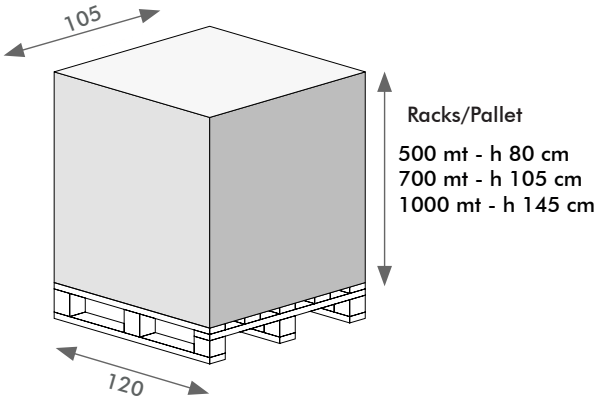


Technical detail



Product details

PALLET DIMENSIONS



N6C

Width:	20 mm
Partial height:	28 mm
Total height:	60 mm
Lenght:	1.000 mm
Weight:	1.328 g
Capacity:	700 Kg
Number of junctions:	6

Steel core



Dovetail alignment system

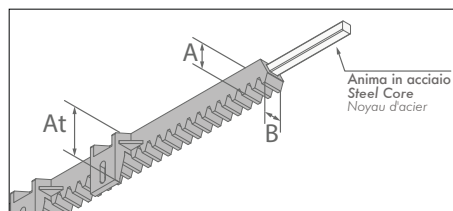


ACRV4

M4X1000 MM GREY COLOUR RACK
with four lower overlapping Max 500 Kg.

AVAILABLE ACCESSORIES

- SAC013
- ACRFF
- ACRSCUN

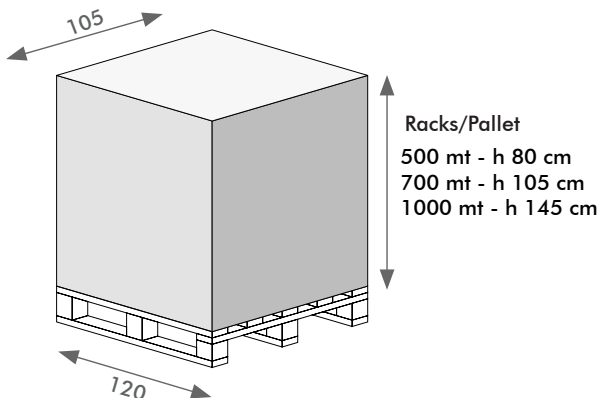


Technical detail



Product details

PALLET DIMENSIONS



ACRV4

Width:	20 mm
Partial height:	28 mm
Total height:	60 mm
Lenght:	1.000 mm
Weight:	1.318 g
Capacity:	500 Kg
Number of junctions:	4

Steel core



Dovetail alignment system

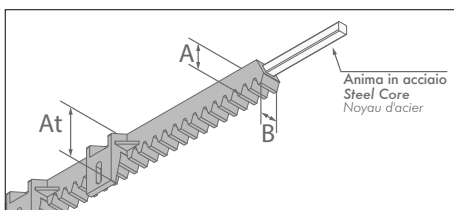


ACRN4

M4X1000 MM BLACK COLOUR RACK
with four lower overlapping Max 400 Kg.

AVAILABLE ACCESSORIES

- SAC013
- ACRFF
- ACRCUN

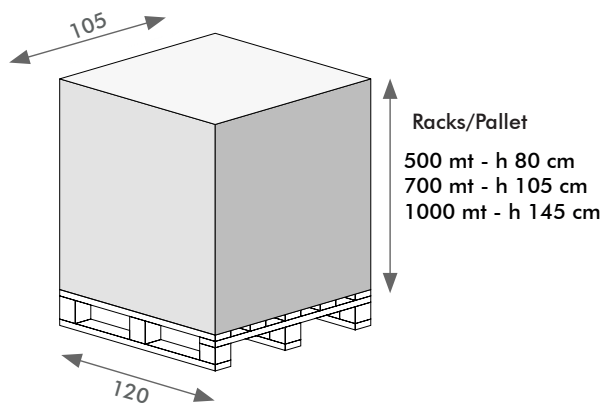


Technical detail



Product details

PALLET DIMENSIONS



ACRN4	
Width:	20 mm
Partial height:	28 mm
Total height:	60 mm
Lenght:	1.000 mm
Weight:	850 g
Capacity:	400 Kg
Number of junctions:	4

Steel core



Dovetail alignment system

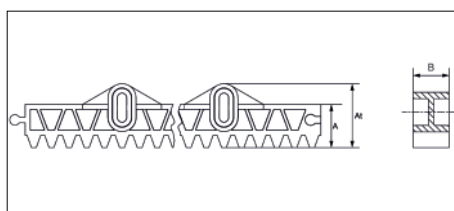


ACRV33

THREE PIECES M4X333 MM GREY COLOUR RACK (not packed)
Max 300 Kg.

AVAILABLE ACCESSORIES

- SAC012
- ACRFF
- ACRCUN

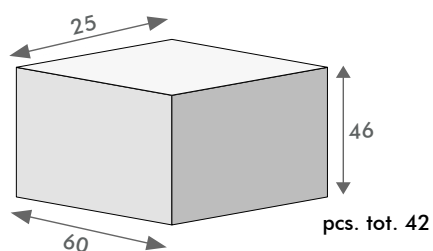


Technical detail



Product details

PACKAGING DIMENSIONS



ACRV33	
Width:	20 mm
Partial height:	30 mm
Total height:	45 mm
Lenght:	999=(333X3) mm
Weight:	446=(148,6X3) g
Capacity:	300 Kg
Number of junctions:	6=(2x3)



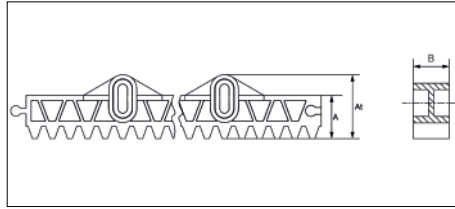
ACFCR333VP

M4X333 MM GREY COLOUR RACK

(two-meter packages with self drilling-screws)

AVAILABLE ACCESSORIES

- SAC012
- ACRFF
- ACRSCUN

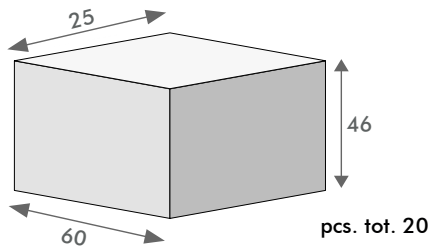


Technical detail



Product details

PACKAGING DIMENSIONS



ACFCR333VP

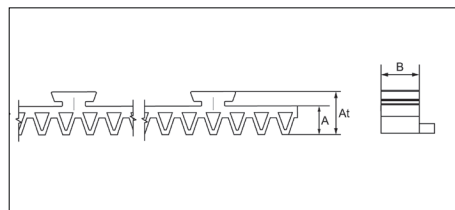
Width:	20 mm
Partial height:	30 mm
Total height:	45 mm
Length:	1.998=(333X6) mm
Weight:	892=(148,6x6)g
Capacity:	300 Kg
Number of junctions:	6=(2x3)

AKTCSSP1

Two fibre-glass nylon racks **M4X1000 mm** for aluminium profile

AVAILABLE ACCESSORIES

- ACRFF
- ACRSCUN

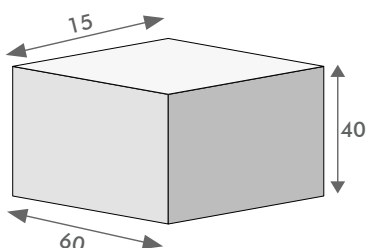


Technical detail



Product details

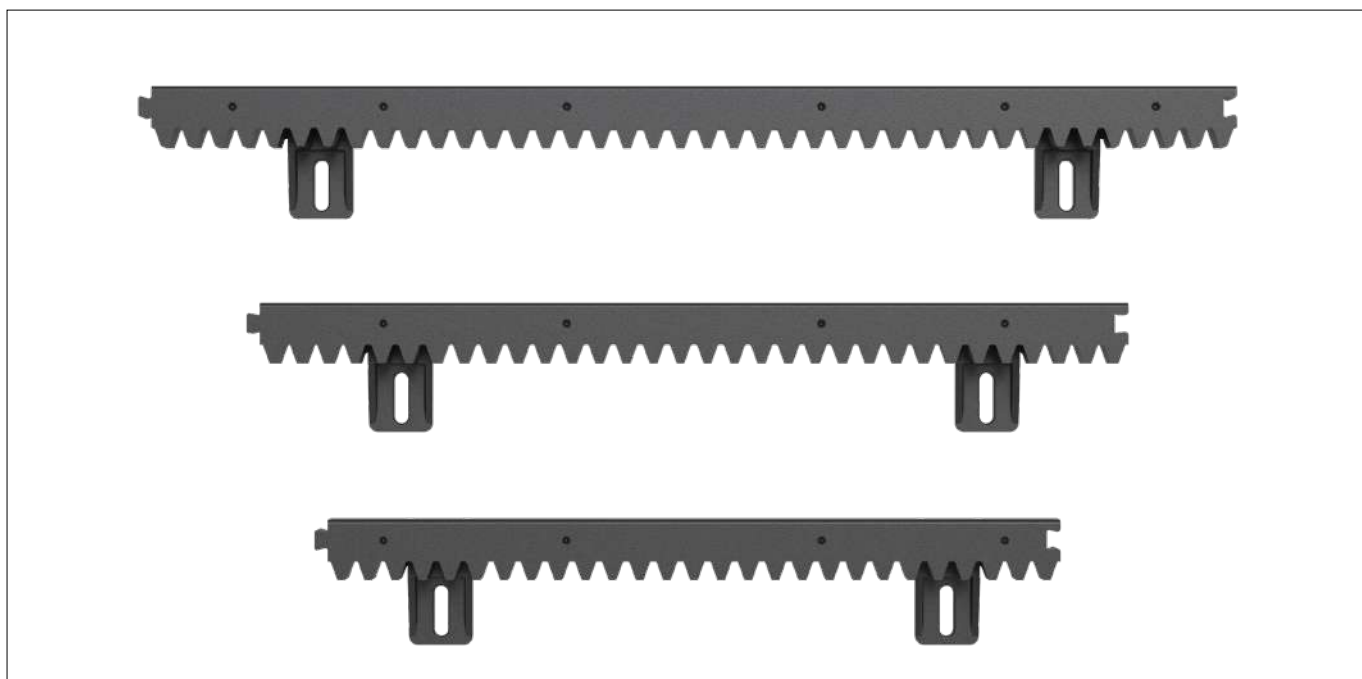
PACKAGING DIMENSIONS



2pz. x 500mm
pcs.tot. 60

AKTCSSP1

Width:	20 mm
Partial height:	15 mm
Total height:	21 mm
Length:	978=(489X2)mm
Weight:	280=(140x2)g
Capacity:	300 Kg
Number of junctions:	0



N233 - N240 - N250

Stagnoli is launching a new range of modular racks for gates. Nylon racks with steel core, module 4 compatible with all type of automations. These racks are excellent for automation kits, storage and shipping. The product is ideal for markets such as large-scale distribution GDO and DIY.

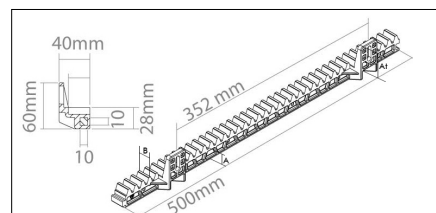
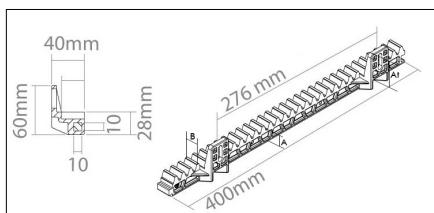
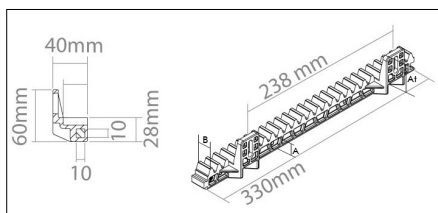
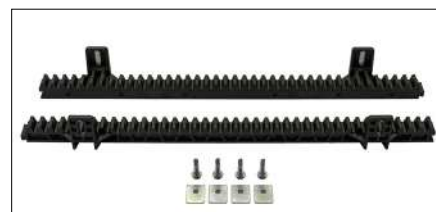
N233K



N240K



N250K



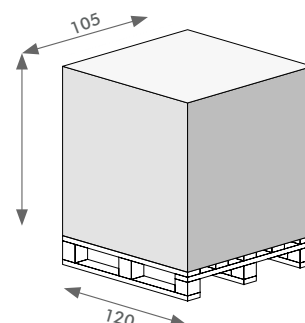
Dovetail alignment system



Steel core

AVAILABLE ACCESSORIES

- SAC012
- SAC012
- ACRFF
- ACRSCUN









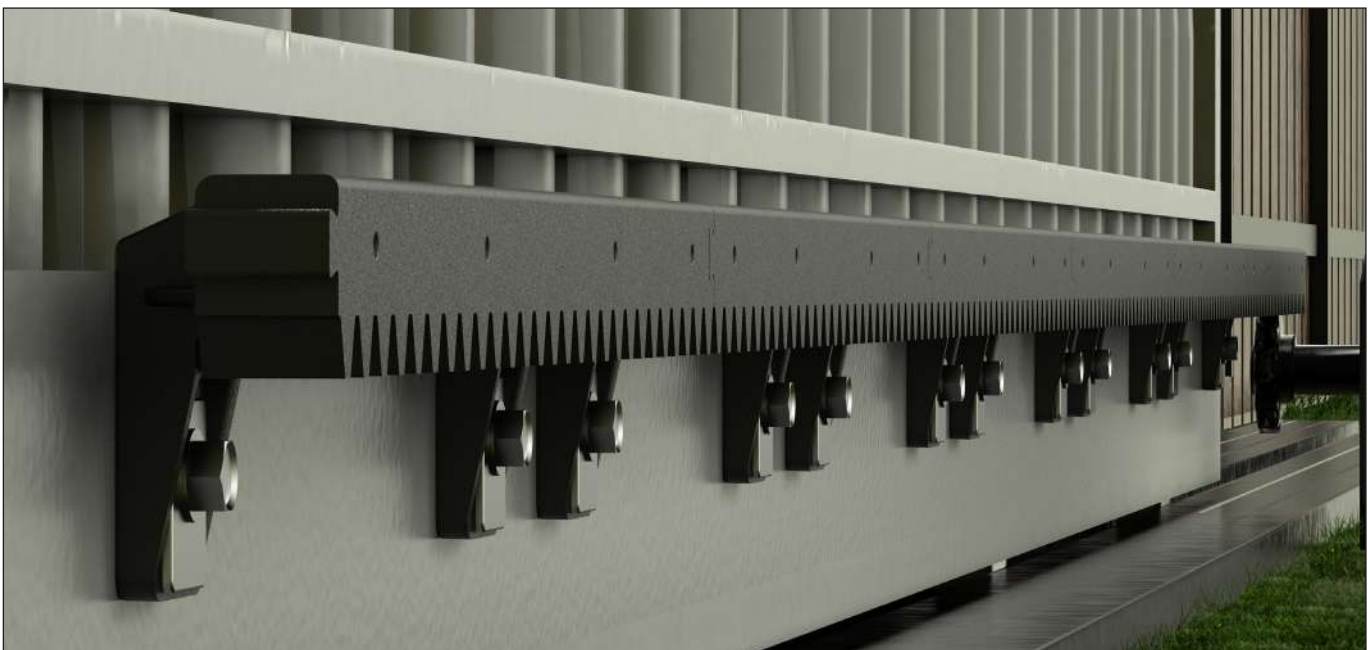
Racks/Pallet

500 mt - h 80 cm
700 mt - h 105 cm
1000 mt - h 145 cm

	Width	Partial height	Total height	Lenght	Capacity	Weight	Number of junctions
N233K	19mm	19mm	59mm	330mm	380gr	700kg	2
N240K	19mm	19mm	59mm	400mm	450gr	700kg	2
N250K	19mm	19mm	59mm	500mm	550gr	700kg	2

Accessories

	<p>SACN5 Fixing kit for racks with ACRN5. 30 screws (5 screws per meter of rack)</p>	 <p>X 6 X 18</p>	<p>SAC014 Fixing kit for racks with 6 overlapping. 18 screws (ACRVA) + 6 washers (ACRR)</p>
	<p>SAC012 Fixing kit for racks with 6 overlapping. 10 sets of 6 screws (ACRVA) + 6 washers (ACRR)</p>		<p>SAC013 Fixing kit for racks with 4 overlapping. 10 sets of 4 screws (ACRVA) + 4 washers (ACRR)</p>
	<p>ACRFF Pair of iron limit switch cams</p>		<p>ACRSCUN Pair of universal switch limit cams (to be used with ACRS20Z rack)</p>



Fields of Application



CIVIL USE

SLIDING GATES

An automated sliding gate frees the passage thanks to the movement of the door in an easy and safe way.

Automatic sliding gates can be made in different materials, shapes and sizes.

The criteria for choosing an automation for sliding gates are essentially two: the weight of the door and the type of use.

HANGAR AND SHEDS

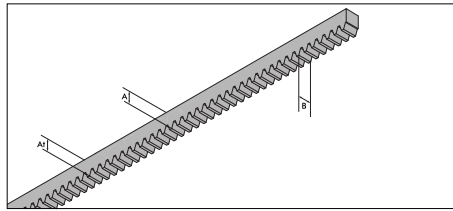
The main feature of metal hangars for helicopters or airplanes is the speed of assembly, combined with great resistance to wind and snow loads.

Kopron helicopter hangars arrive the size can guarantee the maximum convenience of storage and maintenance of aircraft. They reach widths of up to 40 meters and infinite lengths.

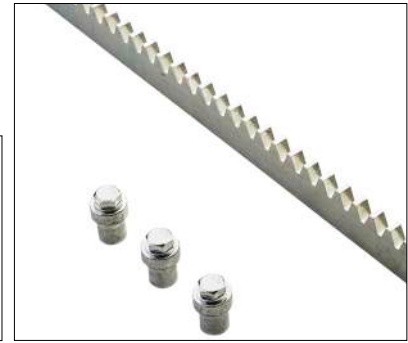


ACRM2

M4 30X8X1000mm
galvanized steel rack complete with accessories Max 2200 Kg.
(3pz.x mt)

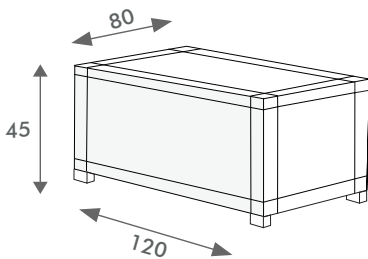


Technical detail



Product details

PALLET DIMENSIONS

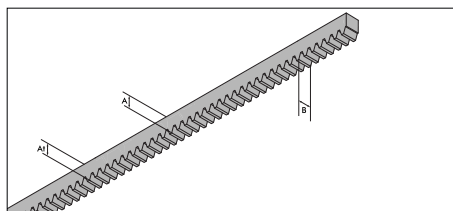


pcs. tot.500

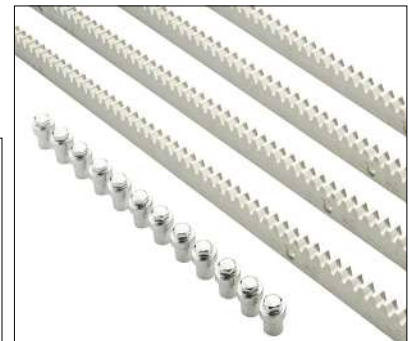
ACRM2	
Width:	8 mm
Partial height:	30 mm
Total height:	30 mm
Lenght:	1.000 mm
Weight:	1.700 g
Capacity:	1.200 Kg
Number of junctions:	3

ACRM3

M4 30X12X1000mm
galvanized steel rack complete with accessories Max 2200 Kg. 4m package.
(3pz.x mt)

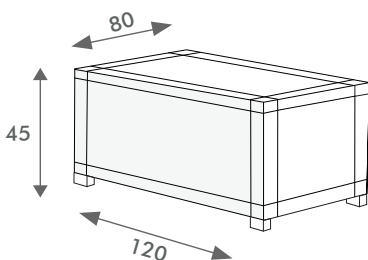


Technical detail



Product details

PALLET DIMENSIONS



pcs. tot.500

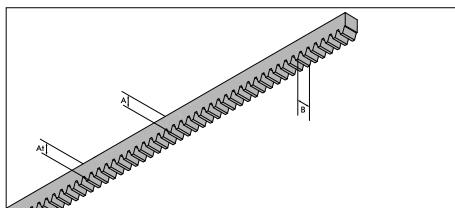
ACRM3	
Width:	12 mm
Partial height:	30 mm
Total height:	30 mm
Lenght:	1.000 mm
Weight:	2.530 g
Capacity:	2.200 Kg
Number of junctions:	3

ACRM3-2000

M4 30X12X2000mm

galvanized steel rack complete with accessories Max 2200 Kg.

(3pz.x mt)

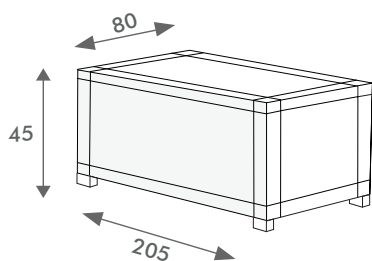


Technical detail



Product details

PALLET DIMENSIONS



pcs. tot.250

ACRM3-2000

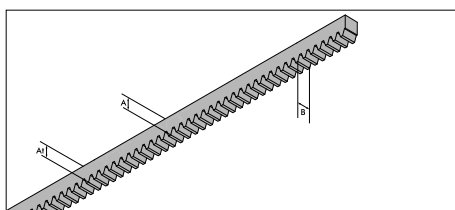
Width:	12 mm
Partial height:	30 mm
Total height:	30 mm
Lenght:	2.000 mm
Weight:	4.778 g
Capacity:	2.200 Kg
Number of junctions:	4

ACRM1

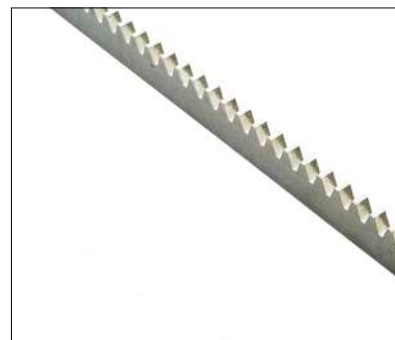
M4 22X22X1000mm

galvanized steel rack Max 4000 Kg.

(3pz.x mt)

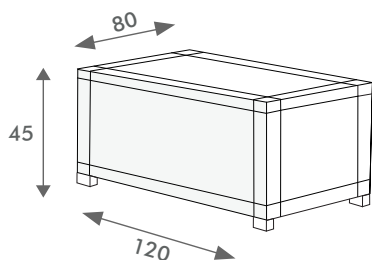


Technical detail



Product details

PALLET DIMENSIONS



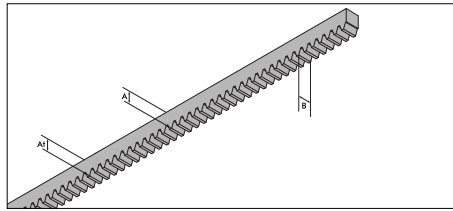
pcs. tot.500

ACRM1

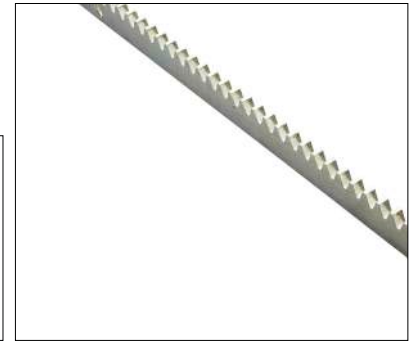
Width:	22 mm
Partial height:	22 mm
Total height:	22 mm
Lenght:	1.000 mm
Weight:	2.400 g
Capacity:	4.000 Kg
Number of junctions:	0

ACRM1-2000

M4 22X22X2000mm
galvanized steel rack Max 4000 Kg.
(3pz.x mt)

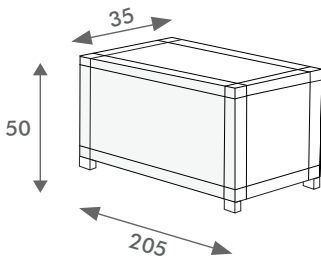


Technical detail



Product details

PALLET DIMENSIONS



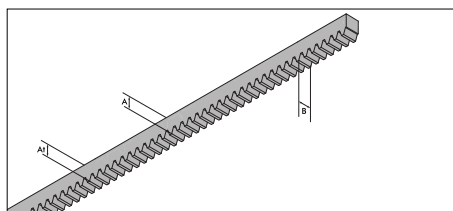
pcs. tot.250

ACRM1-2000

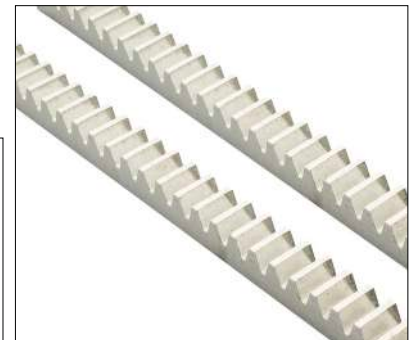
Width:	22 mm
Partial height:	22 mm
Total height:	22 mm
Length:	2.000 mm
Weight:	6.000 g
Capacity:	4.000 Kg
Number of junctions:	4

ACRM6

M6 30X30X1000mm
galvanized steel rack Max 4000 Kg.
(3pz.x mt)

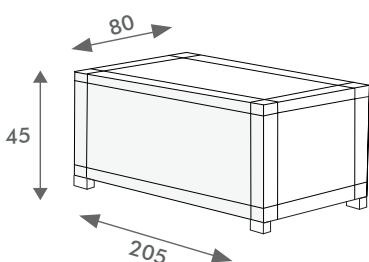


Technical detail



Product details

PALLET DIMENSIONS

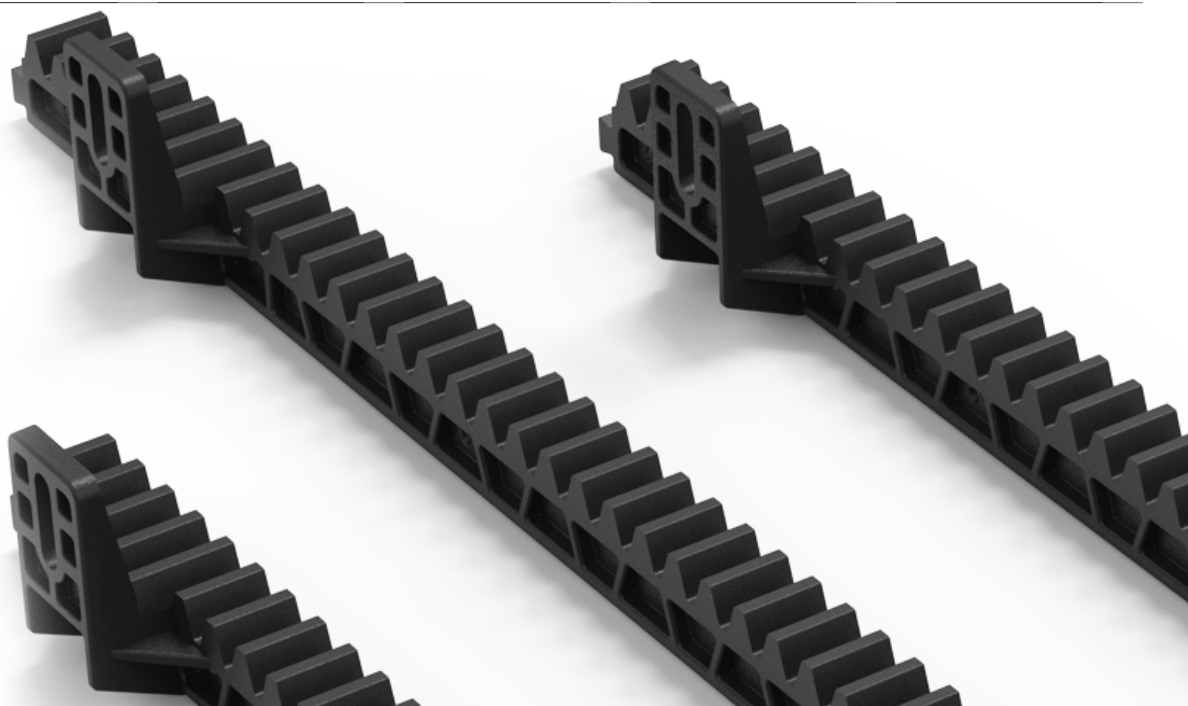


pcs. tot.250

ACRM6

Width:	30 mm
Partial height:	30 mm
Total height:	30 mm
Length:	1.000 mm
Weight:	7.070 g
Capacity:	4.000 Kg
Number of junctions:	0

	CAPACITY	N ° CON- NECTIONS (mf)	STEEL CORE	WEIGHT	LENGTH
S6-1200	1.200 KG	6	✓	1.336 g	1.000 mm
V6-1200	1.200 KG	6	✓	1.336 g	1.000 mm
ACRV6	800 KG	6	✓	1.328 g	1.000 mm
ACRS6	800 KG	6	✓	1.318 g	1.000 mm
ACRS6N	800 KG	6	✓	1.318 g	1.000 mm
ACRN6	700 KG	6	✓	1.328 g	1.000 mm
N6C	700 KG	6	✓	1.328 g	1.000 mm
N250K	700 KG	4	✓	550 g	1.000 mm
N240K	700 KG	4	✓	450 g	1.000 mm
N233K	700 KG	4	✓	380 g	1.000 mm
ACRN5	500 KG	5	✓	360 g	1.000 mm
ACRV4	500 KG	4	✓	1.318 g	1.000 mm
ACRN4	400 KG	4	✓	850 g	1.000 mm
ACRV33	300 KG	6	✗	446 g	999 mm
ACFCR333VP	300 KG	6	✗	892 g	1.998 mm
AKTCSSP1	300 KG	✗	✗	280 g	978 mm





WALL-MOUNTED SELECTORS



	Assembly	Material	Type of key	Number of contacts	IP	Weight	Dimensions
ASM1S	Wall	Aluminum	EU cylinder	1	65	390 g	70 x 70 x 75 mm
ASM2		Aluminum	EU cylinder	2		406 g	
ASM2P		Aluminum	EU cylinder	2		406 g	
ASM2P11		Aluminum	EU cylinder	2		420 g	

BUILT-IN KEY SELECTOR

	Assembly	Material	Type of key	Number of contacts	IP	Weight	Dimensions
ASIP2	Wall recessed	Aluminum / Nylon	EU cylinder	2	65	386 g	70x70x75mm
ASIP2P		Aluminum / Nylon	EU cylinder	2		386 g	
ASIP2P11		Aluminum / Nylon	With triangular tube 14 mm	2		400 g	





AFEPN | PAIR OF WALL-MOUNTED PHOTOCELLS WITH FIXED OPTICS



	Supply	Adjustability	IR range	Degree of protection	Work time
	V ac/dc	-	mt	IP	C°
AFEPN	12-24	NO	15	65	-30 +55

PAIR OF WALL-MOUNTED PHOTOCELLS WITH ADJUSTABLE OPTICS | **AFAP20**

	Supply	Adjustability	IR range	Degree of protection	Work time
	V ac/dc	-	mt	IP	C°
AFAP20	12-24	$\updownarrow \pm 10^\circ, \approx 180^\circ$	20	65	-30 +55



DA021 | SINGLE-CHANNEL METAL MASS DETECTOR



	Supply	Adjustability	Load	Degree of protection	Work time
	V ac/dc	W		IP	C°
DA021	12-24	1.5	Max 24Vac/dc 250mA	40	-20 +70

METAL MASS DETECTOR TWO-CHANNEL WITH DIN RAIL MOUNTING | **DA035**

	Supply	Adjustability	Load	Degree of protection	Work time
	V ac/dc	W		IP	C°
DA035	24	1.5	Max 24Vac/dc 250mA	40	-20 +70



COMPAPR2000 | ACTIVE SENSITIVE EDGE



	Load	Sensitive area	Protection	Work time	Exit
		mt	IP	C°	-
COMPAPR2000	Max 24Vac/dc 250mA	2	55	-10 +60	N.C.

MOTION DETECTOR WITH DOPPLER EFFECT IN BOTH DIRECTIONS OF TRAVEL | **PRAP**

	Supply	Adjustability	Load	Sensitive area	Height	Degree of protection	Work time
	V ac/dc	W		mt	mt	IP	C°
PRAP	12-24	2	Max 42V 60W	4x7	3.5-7	65	-30 +55



General conditions of sale

Object:

These general conditions govern the supply of projects and products (hereinafter Products) made by Stagnoli on behalf of the customer referred to in the order header (hereinafter Customer).

Stagnoli undertakes the task of creating products and / or projects based on the customer's technical specifications and does not undertake any design or result commitment regarding the aesthetic aspect or design of the finished product.

The Customer formulates individual production and / or design orders and accepts these General Conditions. The supply contract is concluded with the written acceptance of the order or with its execution by Stagnoli.

Price and retention of title:

The prices of supplies are specified in the order and in its confirmation and do not include VAT, nor additional charges such as packaging, customs duties or assembly costs, nor testing or commissioning.

In the event of deferred payments, the Products remain the property of Stagnoli until full payment is made.

In the event of third party rights towards the Customer, the latter must promptly inform Stagnoli to allow the protection of their rights.

Confidentiality:

The Customer undertakes to provide Stagnoli with all the information and data available to him for the successful execution of the project. Stagnoli undertakes to keep all data and information obtained in the context of the execution of this agreement confidential.

Payment:

Payment must be made at the Stagnoli domicile and in compliance with the conditions set out in the order. In case of delayed payment, Stagnoli will apply default interest from the invoice due date up to the balance and reserves the right to terminate the contract by simple written communication.

Delivery and shipping methods:

The products are delivered ex works, unless otherwise agreed.

Any delays in deliveries, such as late payment, delays in financing resolutions by third parties, changes to Products subsequently requested by the Customer, lack of communication of project data and / or products by the Customer, will not be attributable in Stagnoli. In these cases Stagnoli will accrue the right to a penalty by the Customer equal to 0.002% daily.

Project validation and testing:

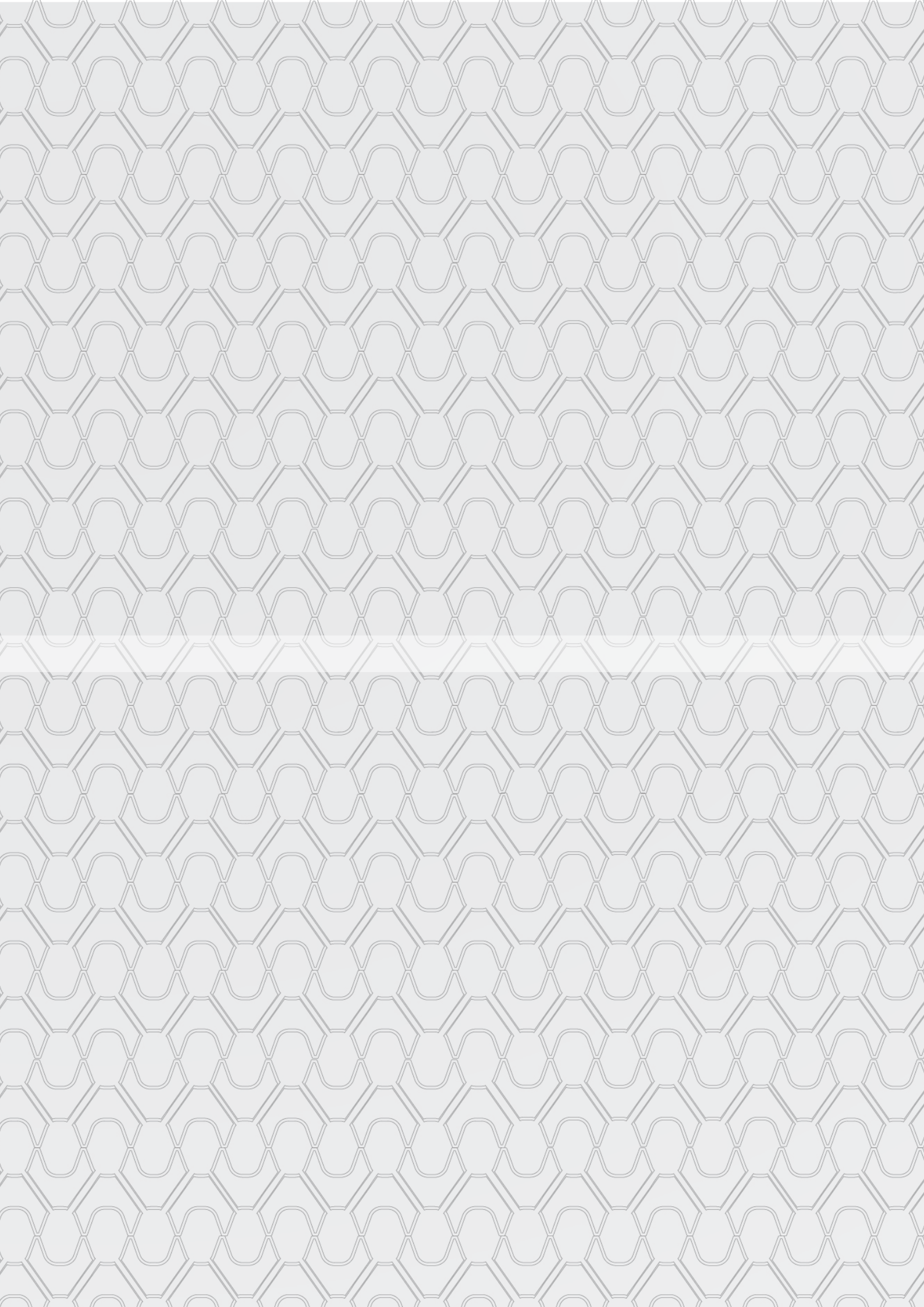
With reference to the Products supplied, Stagnoli undertakes to make its structure and expertise available. Since these are components and equipment for the construction of such components or their spare parts, the Customer undertakes to evaluate the outcome of each phase, to carry out the necessary tests and inspections using the machinery and / or plant of destination of the Product.

These tests are the responsibility of the Customer who bears the related costs and charges, as well as the responsibility for validation and use.

Production order:

Following the realization of the equipment for the realization of the Products, the Customer undertakes to have Stagnoli produce the finished product for a minimum annual or multi-year batch. The scheduling of deliveries during the duration of the contract will be the subject of planning proposed by the Customer which must be accepted by Stagnoli.

The annual or multi-year purchase commitment must be respected by the Customer and, in the event of non-compliance with the production commitment, the Customer must pay Stagnoli the residual amount of the contract in a single solution as a penalty.





WWW.STAGNOLI.COM

Stagnoli s.r.l.
Via Mantova Traversa 1, 105 a/b
25017 Lonato - Brescia - Italia
e-mail: info@stagnoli.com

