

# Full Automatic Tripod Turnstile



Instruction

WJ-TS122  
( The first edition )

Read this instruction carefully before using it.

(The color prevail in kind)

# CONTENTS

1. Product Brief Introduction	1
2. Technical Specification	1
3. Functions and Features	2
4. Dimension and Machine Core Structure	2
5. Installation	3
6. Structure of the turnstile and working principle	5
7. Adjustment Instruction	6
8. Instruction for adjusting the function for setting the menu	8
9. Control board instruction diagram	10
10. The main control board wire connection diagram instruction	10
11. Service Items	11
12. Packing List	13
Appendix	
Full automatic turnstile communication protocol	14

## 1. Product Brief Introduction

Thank you very much for buying the intelligent full automatic tripod turnstile product by our company. This series of turnstile adopt the unique technology of our company----the precise photo electricity limit and gear to orient the closure. The turnstile be unlocked and reset because of the specific motor. The closure is very precise and stable. This series of turnstile adopt standard electricity socket. It can read boom code card, ID card, IC card and so on. There is a series of turnstiles. You can choose the item and specification. They can be used in hotel, school, metro and chamber and so on. This series is of very high-tech. In order to guarantee it can run safely, please carefully read this instruction!

## 2. Technical Specification

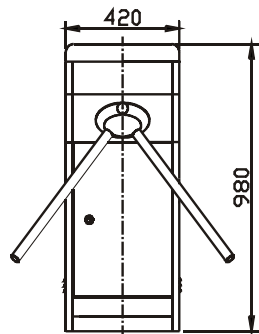
- 1) Power supply: AC220V±10%, 50Hz
- 2) Working voltage of motor: DC 12V
- 3) Rated power: 50W
- 4) Working temperature -15 °C+55°C
- 5) Rotating speed of the motor: 850round/min
- 6) Dimension of the outline: 420×330×980mm
- 7) Length of the boom: 520mm
- 8) Largest endurance of boom: 80kg
- 9) Driving force of boom: 80kg
- 10) Working environment: outdoor and indoor.
- 11) Transit speed: 25~32person/minute
- 12) Input socket:12V electrical level signal>100ms 12V impulse signal driving current>10mA
- 13) Communication socket: StandardRS232

### 3. Functions and Features

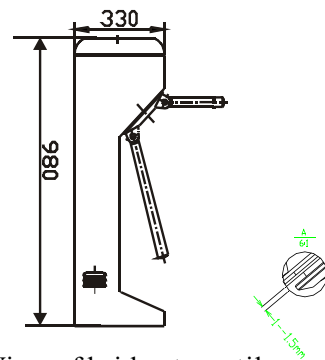
- 1) The integration of mechanical and electrical structure. The rotating platform is made by specific technics. The stable mechanism can self-lock.
- 2) It can be bi-direction transit. The boom of the turnstile can be bi-direction or single-direction.
- 3) It can self-test for malfunction, which make it easy for maintain and usage.
- 4) Multiple working mode for choice. The card can be read in bi-direction and single direction. One direction can read the card, while the opposite direction can be forbidden for transit or can be transited freely. These functions can be realized by setting the button of the control panel or by PC software.
- 5) The boom can be down when the power is off and up automatically when the power is on.
- 6) It can connect the Green and Red light in both direction. So the Green and Red light can be used to remind people whether it can be transited or forbidden to transit.
- 7) The flow rate calculator in both directions can show the flow rate.
- 8) The card reader can be installed in both direction. It support the WEIGNAD26/34 communication card reader.
- 9) The Rs232 socket make it feasible to connect the computer. The Internet LAN socket can also connect it to the computer.
- 10) Electronic soft-start function: precise lock and unlock position photo electricity test function.
- 11) The communication protocol is complete and the means of control ling is very flexible.
- 12) Phonic module socket. When the card is read, the system can voice “pass” or “forbidden to pass” by different language.
- 13) The system can self-detect when the boom is stopped. When the card is read and the passenger has not passed in the specific time, the system will cancel the transit right of this time. ( The transit time can be set by the administrant )

### 4. Dimension and Machine Core Structure

#### 4.1 Dimension Figure(unit: mm)

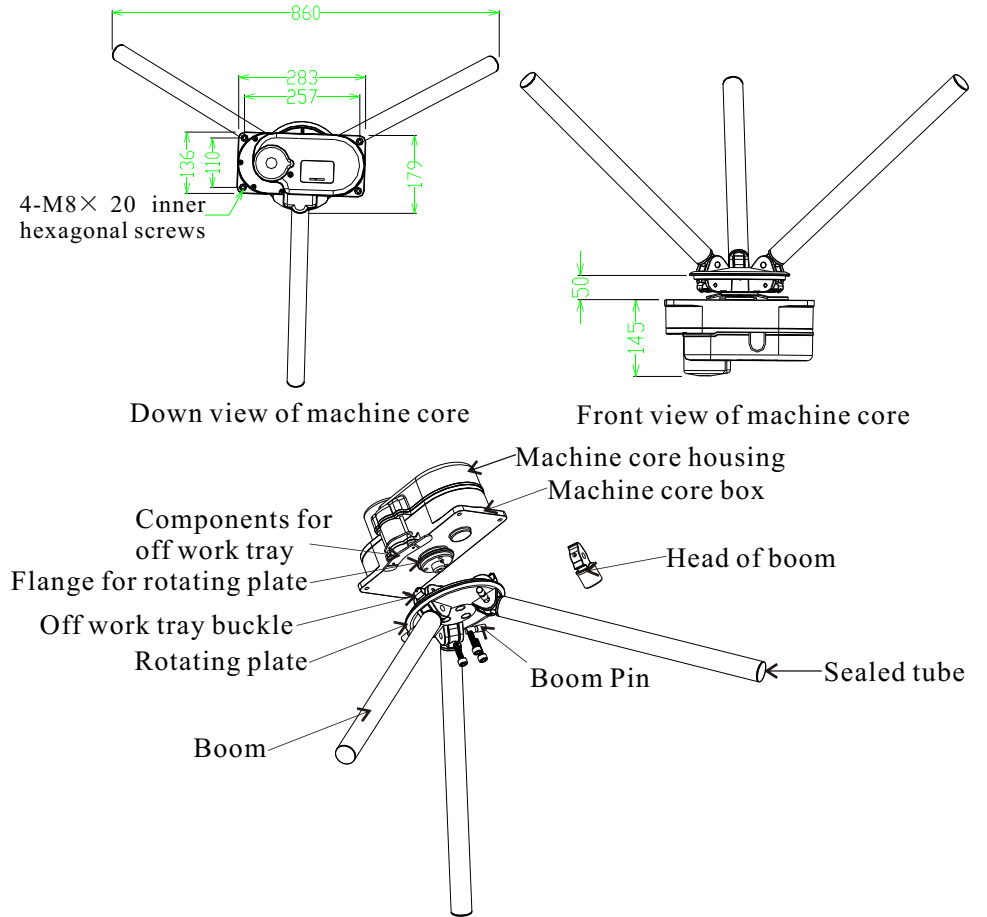


Front View of bridge turnstile



Side View of bridge turnstile

#### 4.2. Dimension of Machine Core Structure

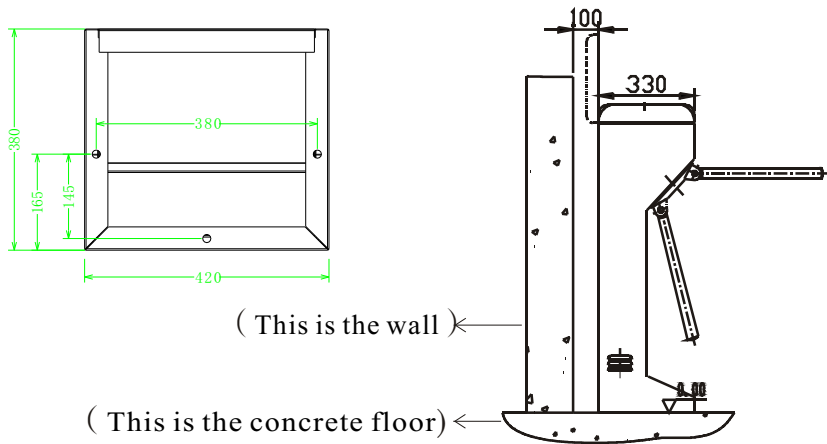


Installation figure of machine core

### 5. Installation

#### 5.1 Basement installation of the turnstile

- 1) check all the spare parts according to the packing list.
- 2) After the whole turnstile has been installed, set the position for setting the turnstile. Set the installing hole according to the size of the base of the turnstile. Fasten the turnstile with four 4×M16 inflating bolts. The figure for installing the turnstile on the ground is as followed:



Installation figure and dimension for the whole turnstile ( mm )

- 3) Pack the electricity wire and the internet wire by PVC tube and embed it in the right position by concrete.
- 4) Open the housing of the turnstile, fasten the net in the base of the turnstile.
- 5) Connect the electricity wire, all the wire from the control panel, the socket of control panel and the protecting wire of the system.

#### 5.2. Installation of the boom.

- 1) put the boom to the installing groove of the rotating platform.
- 2) put the pin of the boom into the pin hole of the rotating platform.
- 3) when the boom pins are stalled well, fasten them with the screws.

#### 5.3. Before using the turnstiles

- 1) Definition of the left or right: When facing the turnstile, the booms rotate in the right direction, this direction is defined the left. The booms rotate in the left direction, this direction is defined the right .
- 2) Input socket : +12V electricity level signal or pulse width>100ms DC Pulse signal driving current>10mA or Rs232 signal
- 3) adjust for single direction transit: adjust the screws of the single direction machine. Lock the localized boom, then the turnstile will run will in one direction.
- 4) Check whether the connection is correspondent with the connection figure. Attention: Check all the sockets, whether they are loose or whether there is wire connect to the ground. Make sure everything is well before power and debug it
- 5) Check the rotating direction of the motor: After powering the system, the boom of the turnstile will automatically begin to rotate. When user faces the turnstile, the boom should rotate in the right direction. If not, please transfer the two wire-connection ports.

- 6) Check the position of the boom. After the power is on and the boom is up, the boom should be at the level position and locked reliably. It can not be moved by external strength, otherwise adjust the ZERO switch. Ways: (1) open the upper case the turnstile. (2)Loosen the screws of the arrival switch by screwdriver. Rotate the axis and rotate the boom to the level position. Move the making the ray of the switch point to the middle of the gap of the spot-light switch plate. (3)fasten the screws of the arrival-switch and closer the upper cover of the housing.

#### 5.4 . Attention

- 1) Other equipments can not be installed on the turnstile. Make sure the ground-wire safe.
- 2) When the turnstile is used outdoors, please install something right up the turnstile to protect form the rain and sunlight. The turnstile should be forbidden to be installed without anything protecting from rain and sunlight.

## 6. Structure of the turnstile and working principle

### 6.1. structure of the turnstile

The turnstile is composed of stainless steel housing, machine core, control panel, card reader and display equipment and so on. The stainless steel housing is made by separation and combination structure, which make it easy for package and shipment.( Refer to our products for details). The card reader is made and offered by us. The user can also install the card reader according to his own needs. There are places form installing the card reader and the display equipment. If the user want to choose the card reader themselves, please tell us the specification and position of the card readers.

### 6.2. The basic working theory of the turnstile

After the card is read, the card reader will send a signal to the control panel for permitting passing for the effective card. The control panel will make the motor run. Then the boom will rotate for an angel and unlock the system with the sound “ Di ” . Then the people can transit. After the people have passed it and the boom has rotated for 120 degree and the calculator will count the flow rate. For the IC or ID card reader installed in the turnstile, the system will judge the card, if the card is effective, it will send signal to the control panel for unlocking or locking the turnstile.

### 6.3. The composition of the turnstile

The turnstile can be used as a unit and as one intelligent passage. It can also be used together, composing several passages. Meanwhile, it can also connect to the computer. So working feedback can be sent back to the

administer. This feedback can form a report so that the administrator can control the turnstiles well.

## 6.4 The working mode of the turnstile

In order to facilitate the user, there are multiple working modes for the user to choose according to the actual situation of usage.

- 1) Bi-directional card reading and staff limiting
- 2) Left can read the card, while right can be forbidden to pass
- 3) Right can read the card, while left can be forbidden to pass

## 7. Adjustment Instruction

### 7.1. outline of the function of the system

1) Adjust the running function of the turnstile: when the card is read in the left, the left LED indication will turn green. When the boom is moved by the outward strength, the calculator will count the flow rate. Then the LED direction indication will turn red. Only one person can pass the turnstile passage for one time. If the person does not transit in the specific time, the system will restore automatically. It works the same way in the right as the left.

2) Test boom-lowering function: if electricity is cut off, the boom will be down automatically. If the power is on, the boom will rotate for several rounds and then the boom will be at the level position and be locked.

### 7.2. Checking the system

Check the system carefully before powering the turnstile. Make sure no part of the turnstile is jammed.

### 7.3. Checking with first-time electricity

Enter the menu by pressing the SET button of the control panel. Select the P00 to adjust the rotating direction of the motor. Press the INC button, the rotating direction should be the same with the unlocking position, otherwise transfer the connection of the motor after exiting the menu, the turnstile will self-check the rotating direction of the motor. If the rotating direction is not right, there will be an alarm every second. At this moment, cut the electricity, modify the connection and adjust it again. When the system begins to self-check the rotating direction of the motor, the two transit switches are not effective, otherwise there will be an alarm every 0.5 second. When the switch is

**Warning: Do not finish the above adjustment when the power is on for the first time, otherwise the machine will be jammed and destroyed.**

### 7.4. Setting of the menu ( refer to the instruction of the setting of the menu )

### 7.5. Adjust the photo electricity switch for the left and right transit.

When the turnstile is unlocked, the green direction indication light will be on. The red indication light is off, then the transit-indication light will flash for a time. This means that the turnstile is unlocked. When the turnstile is locked, the red direction indication is on, then the transit-indication light will be off. This means that the turnstile is locked. Demand: the unlocking should be even for left and right.

**Attention: when the turnstile is unlocked, the transit-indication light can not be on at the same time as the transit-permitted indication light, otherwise this adjustment should be repeated.**

### 7.6. adjustment of the system function

1) when the card is read in the left: when the card is read in the left, the turnstile will self-unlock automatically. The transit direction indication will turn to the green light. After the person transits and the booms rotate for 120 degrees then the photo electricity restoring switch will respond to it and turn. Then the motor will be started and lock the turnstile. The transit indication will turn to the red light and the calculator will count the flow rate. It works the same way in the right!

The longest time for the transit is 10 seconds ( this regulated time can be fixed by the user, the following regulated time is supposed as 10 seconds.) When the regulated is over and no one transits, then the turnstile will restore and no number will be counted into the flow rate.

2) Memory of reading card and transit function: when one person reads the card and another person also reads the card immediately after the first person, the system will automatically memory the card-reading for this time. After the first person transits and locks and unlocks for the second person to transit.

3) Lower the boom when electricity is cut off. When the turnstile runs right and suddenly the electricity is cut off. Then the turnstile will lower the booms and permit the transit.

4) Auto open when power off, and auto close when power on.

### 7.7. Restoring function

When the card is read effectively, the boom will rotate for 15 degrees and stop. Then the transit direction indication will turn to the green light and permit transit. The system will restore and cancel the transit right for this time after the regulated time. And no number will be counted into the flow rate.

**Attention: when restoring, the rotating booms in the left and the right should be even.**

## 7.8. Test for communication function

Set and test it according to the communication function of the software of the upper monitor.

## 8. Instruction for adjusting the function for setting the menu.

### 8.1. Outline of the menu.

1) LED display means the 3 digital tube on control Panel from left to right.  
2) 4 buttons are in too line. There is only the SET button on the first line. There are INC, STOP, DEC, SET buttons on the second line from up to down. SET button is for entering or exiting the menu. INC button is for increasing the parameter. DEC button is for decreasing the parameter. STOP button is for keep the parameter after exiting equipment. If user needs to return to the setting status, press SET button.

### 8.2. setting to enter or exit the menu.

1) normal working mode. When the turnstile works, P00 appears on the LED display. When the user faces the turnstile and adjust the function for the turnstile and there is no need to read the card, press INC button. The boom will turn 20 degrees in the left direction. Press SET button, then the boom will turn 20 degrees in the right direction.

2) When turnstile works normally, press SET button to enter the setting of menu. P10 appears on the LED display. Press SET button again, P20 appears on the LED display, Continue to press SET button, P30 appears. It works the same way as other “ PXX ” till it reaches “000”. Then it exit the setting of the menu.

3) 15 functions for setting on the menu.

P10: semi-automatic ( it is not opened normally. It can be opened according to the clients' needs )

P11: full-automatic

P20: on-line mode

P21: off-line mode

P22: for testing the card-reading and unlocking the turnstile

P30: speed of the motor ( slow )

P31: speed of the motor (middle)

P32: speed of the motor ( fast )

**Attention: there are no the three P30-P32 functions on this turnstile.**

P40: time for unlocking and then locking ( short )

P41: time for unlocking and then locking ( middle )

P42: time for unlocking and then locking ( long )

P50: time for unlocking and then locking jamming (long )

P51: time for jamming ( long )

P52: time for jamming ( long )

P60: data canceling left machine ( press INC button )

P60: data canceling right machine ( press DEC button )

P70: Left can read the card , while right can be forbidden to pass

P71: Right can read the card , while left can be forbidden to pass

P72: Bi-directional forbidden pass

P73: Bi-directional card reading and staff limiting

4) Exit the setting of the menu: continue to press SET button for a cycle time. Then “ 000 ” appears, or press STOP button exit the menu design.

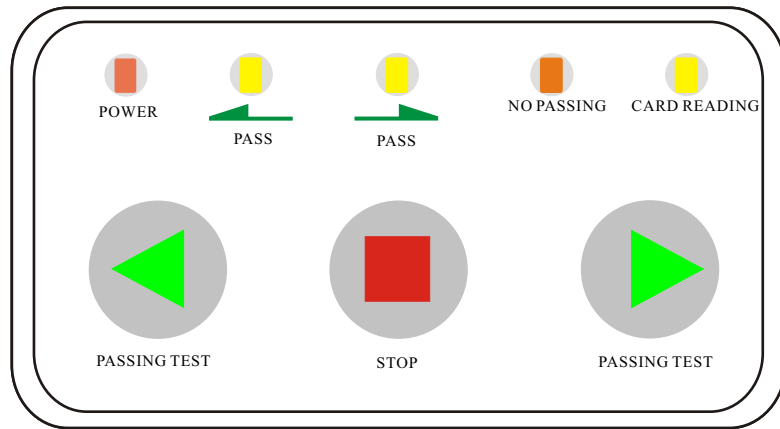
### 8.3. Setting function instruction

1) Enter into menu, press "set" key, after hear "dip", loose "set" key, and the screen display "P10" means already in the menu setting status, Either press "INC" key or "DEC" key are all only can change the present setting status function. In the status of no card reader, the arm does not run. Press "INC" key, the screen display "P11" , and press "SET" key, the press display "P10" , If need to save the setting, press "SET" key, until the screen display "000" , which means the setting has been saved and exit the setting.

2) Under the normal working status, press twice "SET" key, enter into the working model setting, the screen display "P20" , either press "INC" key or "DEC" key are all only can change the present setting status function. In the status of no card reader, the arm does not run. Press "INC" key, the screen display "P21", and press "DEC" key, the screen display "P20". If need to save the setting, press "SET" key, until the screen display "000", which means the setting has been saved and exit the setting.

3) If want to change many menu parameter setting, user can enter the menu to change setting, and then save the setting. If user hope the equipment working model is off line model ( the standard is card reader model ),dele the left direct ion calculator, the menu setting as follows: Press twice "SET" key, the screen display "P20", press twice "INC" key, the screen display "P22", and continue to press twice "SET" key, the screen display "P40", press twice "SET" key, the screen display "P60", press once "INC" key or "DEC" key, it clear the left direction calculator data, and then press the "SET" key again to

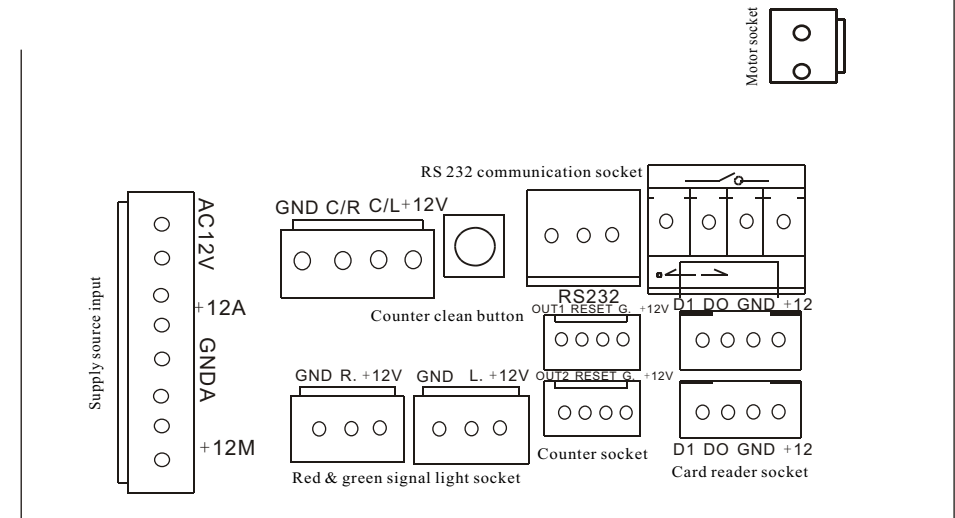
## 9. Control board instruction diagram



After the control display board connect with the main control board, the supply source indication and forbid pass indication are flashing, in the process of use card reader, in the period of manage the reader, the indicator flash once, and two of the signal indicator flash according the signal direction, meanwhile, the forbid pass indicator not flash, after the open finished, pass indicator not flash, forbid indicator flash. Follow up with the control board indicator test facility working status. Before test the pass, only press "■" key, cannot test the facility status, when press "▶" key, "▶" pass indicator flash, the forbid pass indicator not flash, the facility open, the arm is turn from the "▶" direction, the passenger can pass. If do not pass, press "▶" key, and the arm stop turn. "■" pass indicator not flash, and forbid pass indicator flash. When press "◀" key, "◀" pass indicator flash, and forbid pass indicator not flash. The facility open, arm turns in "◀" direction, the passenger can pass. If do not pass, press "■" key, the arm stop turn, "◀" pass indicator not flash, and forbid indicator flash.

## 10. The main control board wire connection diagram instruction

- 1). According the electronic wire diagram, input DC+12V in the socket of the supply source.
- 2). Right & red signal light separated into left and right direction traffic light, the red light forbid pass, and the green light pass.
- 3). The counter separated in to Left direction and Right direction. It can calculate the number of the passenger. And the counter delete button can calculate the number of the passengers.
- 4). RS232 communication socket connect with the main control board.
- 5). The card reader are left direction and right direction.
- 6). The figure of the system connection ( Page 12 )



The wiring diagram of tripod turnstile

## 11. Service Items

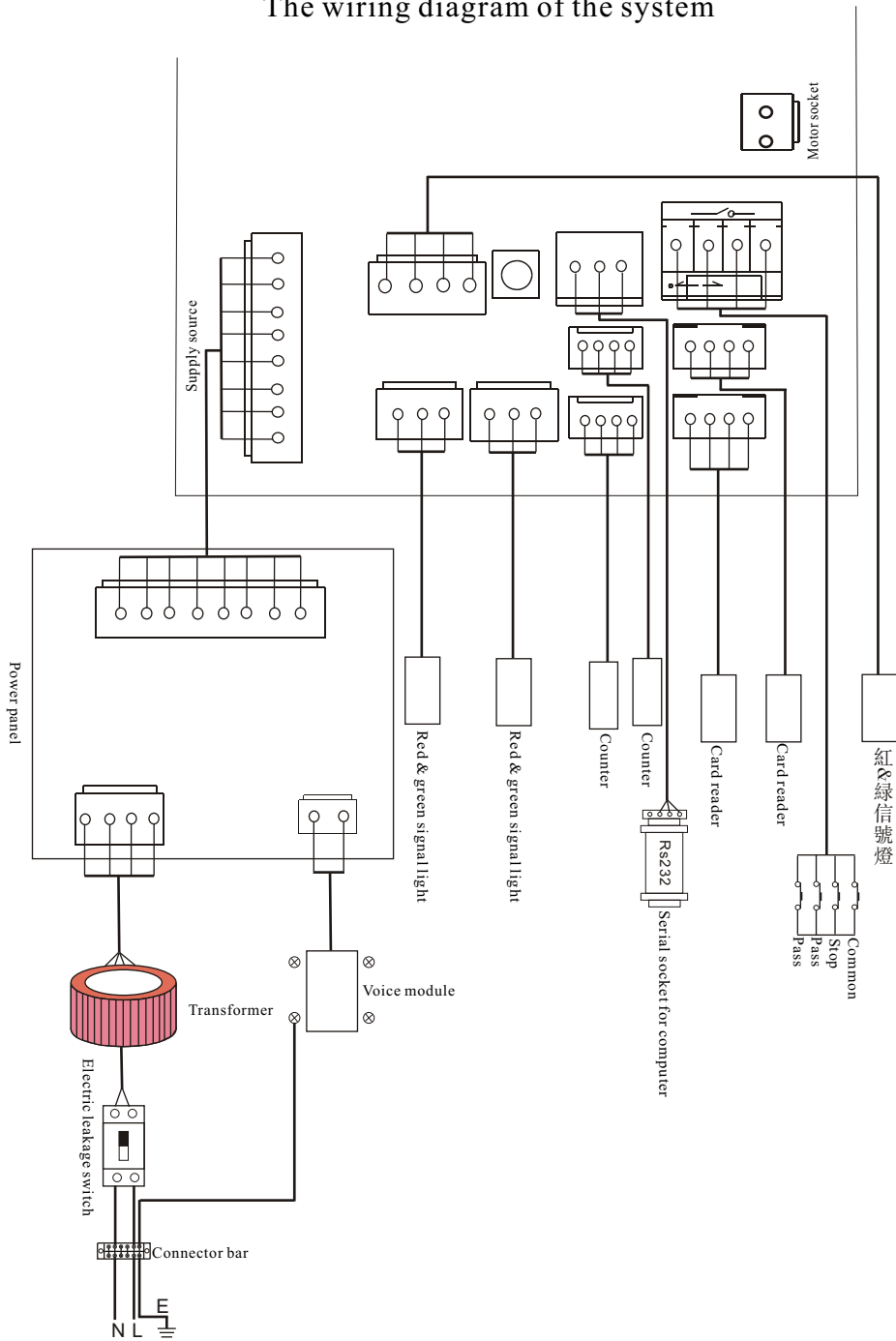
- 1). 1 year guarantee
- 2). Supply pay maintain after 1 year guarantee
- 3). 24 hours online service

\* The following situations are not include guarantee

- 1). Broken by wrongly installed
- 2). Broken by improper voltage
- 3). The appearance of the product destroyed by wrongly installed and use
- 4). Broken by natural disaster
- 5). Overdue the guarantee
- 6). The service item which out of undertaking

**The explaining authority of the product instruction and service article belongs to the production factory**

The wiring diagram of the system



## 12. Packing List

No.	Title of parts	Qty	Remark
1	Rotating plate	1	Necessary parts
2	Boom	3	Necessary parts
3	Motor	1	Necessary parts
4	Plastic basement ( fixing motor )	2	Necessary parts
5	Red & green light panel and its wiring	2	Necessary parts
6	Mainboard	1	Necessary parts
7	Power panel and its wiring	1	Necessary parts
8	Transformer	1	Necessary parts
9	Connector bar	1	Necessary parts
10	Air switch	1	Necessary parts
11	Head of card reader and its wiring	2	Optional parts
12	Voice module and its wiring	1	Optional parts
13	Counter and its wiring	2	Optional parts
14	LED and its wiring	1	Optional parts
15	TCP/IP-RS232 patch board and it wiring	1	Optional parts



# Appendix

## Full automatic turnstile communication protocol

### 1. Hardware protocol

Communication signal: RS232, duplex

Communication baud rate: 9600bps

Start bit: 1 bit

Stop bit: 1 bit

Data bit length: 8 data bit

Odd and Even verify code: No

### 2. Data package format

Aim add	Source add	Command add	Data length H	Data length L	Data	CRC verify rate H	CRC verify rate L
1 Byte	1 Byte	1 Bytes	1 Byte	1 Byte	Data length rate	1 Byte	1 Byte

#### Address:

PC:00H

Turnstile: FFH

Card sender: 01H

#### Command

00H Upload card data

01H Left open exa: FF 00 01 00 78 92

02H Right open exa: FF 00 02 00 2D C1

03H Stop

Read ( 0CH ) White list data

Write ( 0DH ) White list data

04H Left red light flash

05H Left green light flash

06H Right red light flash

07H Right green light flash

12H Emergency open

13H Close

Data length: 2 bit

Data: Data length is: 0, this data is blank

Verify Standard: CRC16 verify

#### Card number format:

4 byte have no symbol integral. When PC program receive the signal, it need turn to more byte, and before sent out, it need turn to lesser byte.

#### Time format:

7 byte, which are seconds, minutes, hour, day, month, Week, year. And the year is the updated from 2000, such as the year of 2008, the year rate is 8.

```
typedef struct STILE_TIME
{
    unsigned char seconds;
    unsigned char minutes;
    unsigned char hours;
    unsigned char days;
    unsigned char months;
    unsigned char weeks;
    unsigned char years;
} StileTime, * StileTime;
```

#### Off line record time format:

4 byte, the first byte high4 digit is the year warp, and the reference year according to the inquirement, lower 4 digit is monthly. The other 3 byte is day, hour and minutes.

```
typedef struct STILE_SHORT_TIME
{
    struct
    {
        unsigned years: 4;
        unsigned months:4;
    } yearMonth;
    unsigned char days;
    unsigned char hours;
    unsigned char minutes;
} StileShortTime, * PStileShortTime;
```

The first byte of the data packet is the packet header, and the other two byte is the command of the extra data length, at last is the two byte CRC verify rate. And the data length is not include in packet header and CRC verify rate.

#### Packet header definition:

```
typedef struct STILE_PACKET_HEADER
{
    unsigned char targetAddr; //Receive this data packet
    equipment address code
    unsigned char sourceAddr; //Sent this data packet equipment
    address code
```

```

    unsigned char cmdType; //Commend type
    unsigned char dataLenHigh; //Data length rate High byte
    unsigned char dataLenLow; //Data length rate Low byte
} StilePacketHeader, * PStilePacketHeader;

```

When the data packet has no extra data, which is the simple command packet, and the definition as follows:

```

typedef struct SIMPLE_STILE_PACKET
{
    StilePacketHeader header;
    unsigned char checkSumHigh; //CRC verify high byte
    unsigned char checkSumLow; //verify low byte CRC
} SimpleStilePacket, * PSimplePacketHeader;

```

Command rate

```

#define D_CmdSendCardNum 0;
    Turnstile or the card sender read the card it send the card number to the PC
    machine which has the 4 byte card umber, and use a byte indicate the card
    direction

```

```

typedef struct STILE_CARD_PACKET
{
    StilePacketHeader header;
    unsigned char direction; //Card direction
    unsigned long cardNo;
    unsigned char checkSumHigh;
    unsigned char checkSumLow;
} StileCardPacket, * PStileCardPacket;

```

Assumpsit direction = 0 is left , direction = 1 is right

```

#define D_CmdTurnLeft = 0x01;
    PC machine send to the turnstile, command left open. Simple command
    packet: FF 00 01 00 00 ** ** ( * number is simple verify data )

```

```

#define D_CmdTurnRight = 0x02;
    PC machine send to the turnstile, command right open. Simple command
    packet: FF 00 02 00 00 ** ** ( * number is simple verify data )

```

```

#define D_CmdTurnStop = 0x03;
    PC machine send to the turnstile, command turn back. Simple command
    packet: FF 00 03 00 00 ** ** ( * number is simple verify data )

```

```

#define D_CmdLeftRedOn = 0x04;
    PC machine send to the turnstile, command left red light flash. Simple
    command packet: FF 00 04 00 00 ** ** ( * number is simple verify data )

```

```

#define D_CmdLeftRedOff = 0x05;
    PC machine send to the turnstile, command left red light not flash. Simple
    command packet: FF 00 05 00 00 ** ** ( * number is simple verify data )

```

```

#define D_CmdRightRedOn = 0x06;
    PC machine send to the turnstile, command right red light flash. Simple
    command packet: FF 00 06 00 00 ** ** ( * number is simple verify data )

```

```

#define D_CmdRightRedOff = 0x07;
    PC machine send to the turnstile, command left red light not flash. Simple
    command packet: FF 00 07 00 00 ** ** ( * number is simple verify data )

```

```

#define D_CmdSetLeftCntr = 0x08;
    PC machine send to the turnstile, reset it left calculator. Simple command
    packet: FF 00 08 00 00 ** ** ( * number is simple verify data )

```

```

#define D_CmdSetRightCntr = 0x09;
    PC machine send to the turnstile, reset it right calculator. Simple command
    packet: FF 00 09 00 00 ** ** ( * number is simple verify data )

```

```

#define D_CmdReadTime = 0x0A;
    PC machine sent to the turnstile, read the time. Simple command packet: FF
    00 0A 00 00 ** ** ( * number is verify data )
    Turnstile send PC machine to the present time rate, packet header + time rate
    + CRC verify:

```

```

typedef struct STILE_TIME_PACKAET
{
    StilePacketHeader header;
    StileTime time; // 0x0A
    unsigned char checkSumHigh;
    unsigned char checkSumLow;
};

```

```

#define D_CmdWriteTime = 0x0B;
    PC machine send to the turnstile, change it time rate, packet header + time rate
    + CRC verify:

```

```

typedef struct STILE_TIME_PACKAET
{
    StilePacketHeader header;
    StileTime time; // 0x0B
    unsigned char checkSumHigh;

```

```

    unsigned char checkSumLow;
} StileTimePacket, * PStileTimePacket;

```

White name list data packet, PC machine send to turnstile or card sender write into the white name list. The PC machine read turnstile or card sender send to white name list. White name list include number of the card data, the max is 64 KB. Each card data is 8 byte, the first 4 byte is card number ( small byte order ), the last4 byte is extra information, the definition is standby, for example, the period of validity and the sum of the money:

```

typedef struct CARD_INFO
{
    unsigned long cardId;
    struct
    {
        unsigned type:4; //card type
        unsigned reserved:28;
    } flags;
} CardInfo, * PCardInfo;

```

White name list data packet is packet header + card data + CRC verify digit. When the card data is lesser or equal 128 byte ( equal to 16 pcs card ), it need to calculate verify. When the card data more then 128 byte, PC machine need to send by separated of the each 128 byte, and the continue send time need to separate a bit of time, and fill the 0 to the verify rate. The verify digit is for unify the data packet. Such as, if send 40 pcs card, which is 320 byte card data, the send order as follows:

1. Packet header + 128 byte card data
2. 128 byte card data
3. 64 byte card data + 00 00

```

#define D_CmdReadCardIDData = 0x0C;
    PC machine send to the turnstile or card sender, and read the white name list.Simple command packet: FF 00 0C 00 00 ** ** ( * number is verify data )
    Or: When turnstile or card sender receive PC machine white name list command, it will re-sent to the PC machine by the record white name list, meanwhile, the data packet is white name list data packet.

```

```

#define D_CmdWriteCardIDData = 0x0D
    PC machine re-write turnstile or card sender white name list, and read the white name list. Format is white name list data packet.
#define D_CmdReadReaderData = 0x0E;
    PC machine send to the turnstile or card sender, and read it offline record, simple command packet: FF 00 0E 00 00 ** ** ( * number is verify data )
    After the turnstile receive PC machine command, and re-send the offline record to the PC machine. Offline record is card data group. Card data definition

```

as follow:

```

typedef struct CARD_RECORD
{
    unsigned long cardId;
    StileShortTime recTime;
} CardRecord, * PCardRecord;

```

Turnstile offline record back to the PC machine is same as the white name list data packet, and same as the send formula, but the PC Machine send to the turnstile and card sender, and clear white name list, the simple command packet: FF 00 10 00 00 \*\* \*\* ( \* number is verify data )

```

#define D_CmdDeleteCardIDData = $10;
    PC Machine send to the turnstile, and clear it white name list, the simple command packet: FF 00 10 00 00 ** ** ( * number is verify data )

```

```

#define D_CmdDeleteReaderData = $11;
    PC Machine send to the turnstile, and clear it offline record, the simple command packet: FF 00 11 00 00 ** ** ( * number is verify data )

```

```

#define D_CmdSetTurnStileOpen = $12;
    PC Machine send to the turnstile, open the turnstile, .and do not need test card reader to pass.Simple command packet: FF 00 12 00 00 ** ** ( * number is verify data )

```

```

#define D_CmdSetTrunstileClose = $13;
    PC Machine send to the turnstile, close the turnstile, .and need test card reader to pass.Simple command packet: FF 00 13 00 00 ** ** ( * number is verify data )

```