

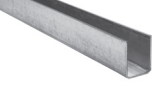
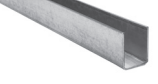













TRIDENT SET 7.5

NEW 

TRACKLESS TRIPLE TELESCOPIC
CANTILEVER HARDWARE
SPACE-SAVING FEATURE

PRODUCT	PCS	CODE	
	STAGE MZ 5,6	1 pc	
	STAGE MZ 5,4	2 pcs	
	DRIVER 48/5,6	1 pc	
	DRIVER 48/5,4	2 pcs	
	SPEED M - MAX 14	2 pcs	
	RUN M	1 pc	1700013
	LAST M	1 pc	1700014
	PILOT MN	1 pc	1700016
	PARK 240	2 pc	1700196
	PADDOCK 4	1 pc	1700191
	JRM 40	2 pcs	1700337
	RCB 40/16	4 pcs	1700355
	BOLD M10x25	45 pcs	
	RIVET NUT	45 pcs	
	KIT TELESCOPIC TRIDENT	1 pc	

TRIDENT 7.5						CODE:
	mm; kg	mm; kg	mm; kg	mm; kg	mm; kg	mm; kg
A	5000	5500	6000	6500	7000	7500
backspace	4073	4390	4707	5024	5341	5658
max. weight gate	575	600	625	650	675	700
B	1600	1750	1900	2050	2200	2350
C	2300	2450	2600	2750	2900	3050
D	350	350	350	350	350	350
I	3487	3820	4153	4486	4819	5152
G	3487	3820	4153	4486	4819	5152
H	3973	4290	4607	4924	5241	5558
J	370	370	370	370	370	370
K	1073	1240	1407	1574	1741	1908
L	7400	8050	8700	9350	10000	10650
X	1653	1820	1987	2154	2321	2488



FAST, TRIPLE SPEED OF OPENING/CLOSING



GALVANIZED INTERNAL EDGES



SPACE SAVING FEATURE - 47% OF TAILGATE SPACE



«C» TRACK SERIAL NO. 100% COMPATIBILITY CARRIAGE TESTED



EASY ASSEMBLING



GERMAN STEEL



TRIPLE «C» TRACK CANTILEVER SYSTEM



FOURTEEN WHEELED LINEAR CARRIAGE



2ND AND 3RD CANTILEVER LEAF ADJUSTABLE IN 3 AXIS



SUITABLE FOR SINGLE GUIDE POST



32.000 CYCLES PROVEN & TESTED



45 BOLTS 45 RIVET NUTS INCLUDED



HOT DIPPED GALVANIZED



MULTI RIVETED SECTIONS



+ 50°C TESTED & PROVEN



JPN JAPANESE ROBOTICS FANUC



- 37°C TESTED AND PROVEN



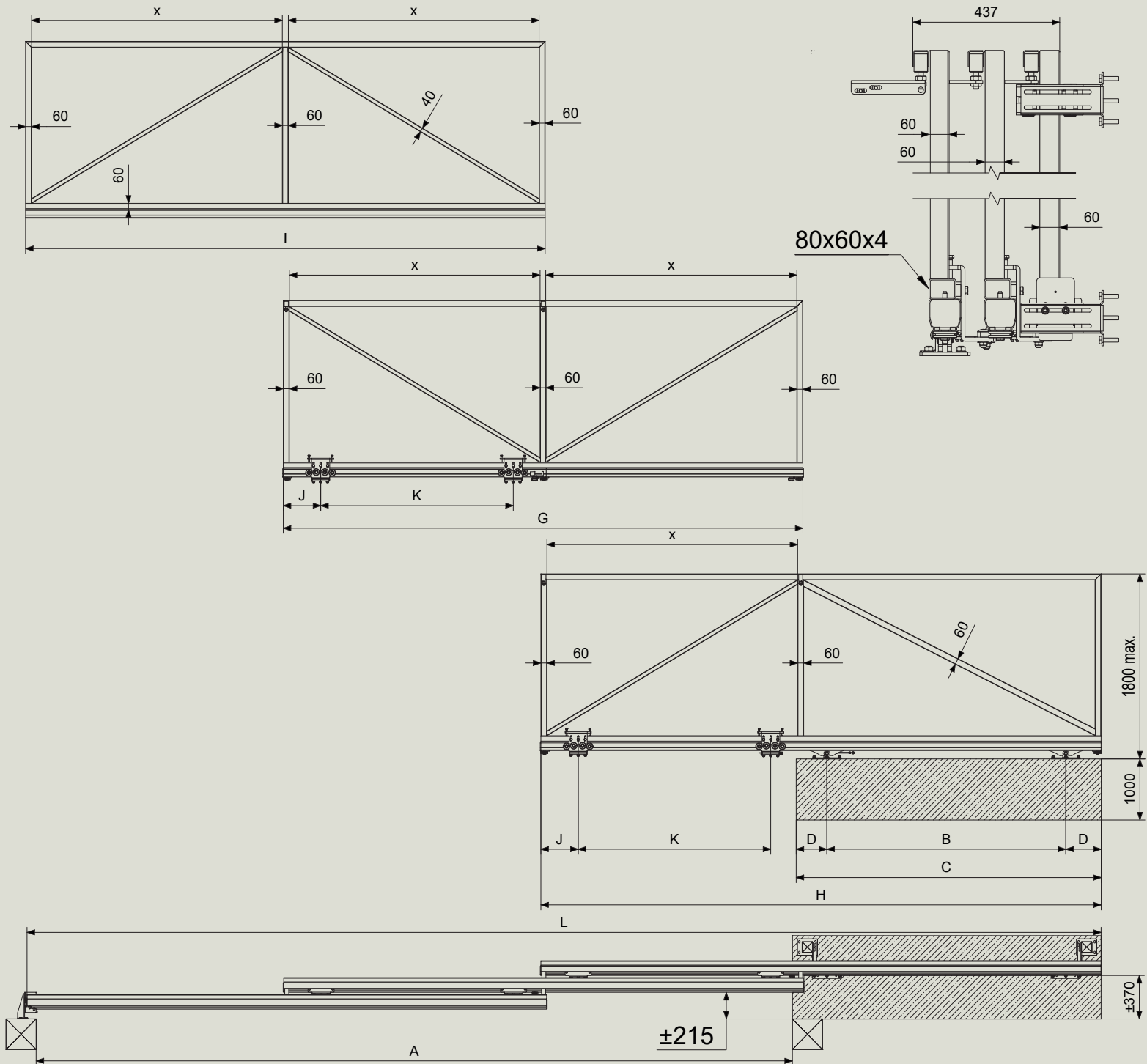
UNIVERSITY OF TECHNOLOGY - BRNO



SLOTTED HOLE PUNCHED EVERY 400mm IN TRACK



MADE IN CZECH REPUBLIC



01



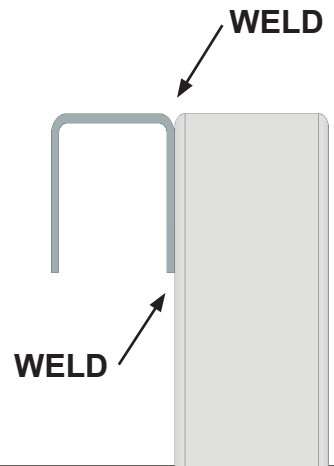
02



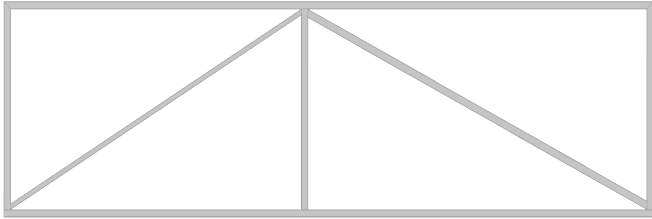
03



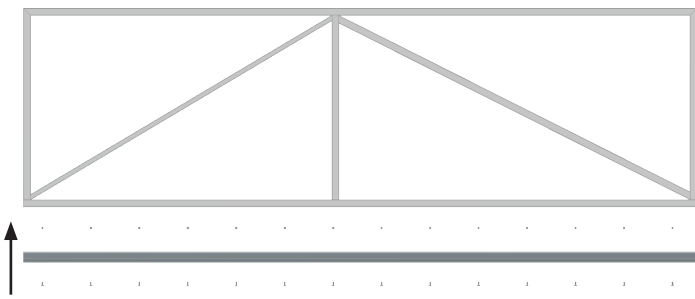
04



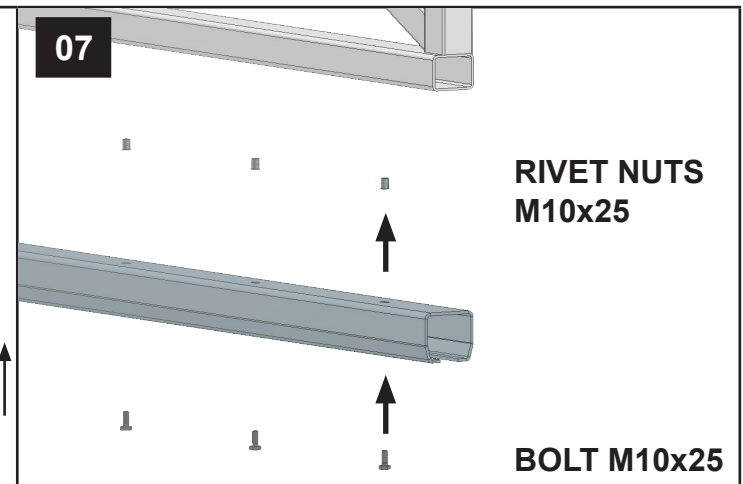
05



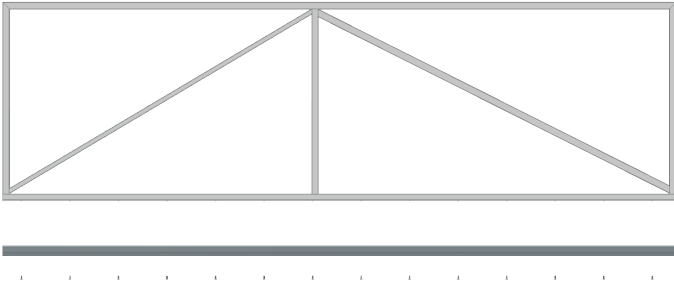
06



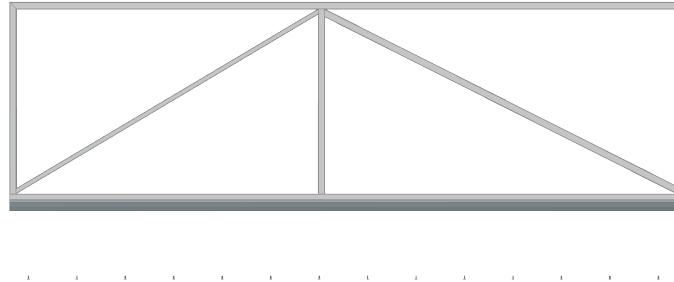
07



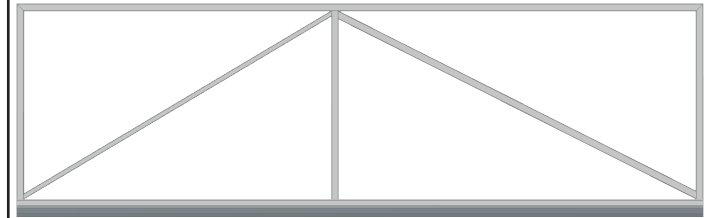
08



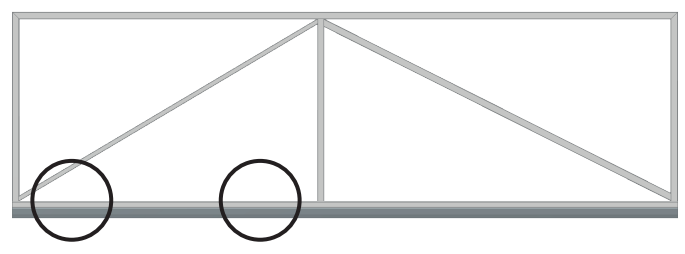
09



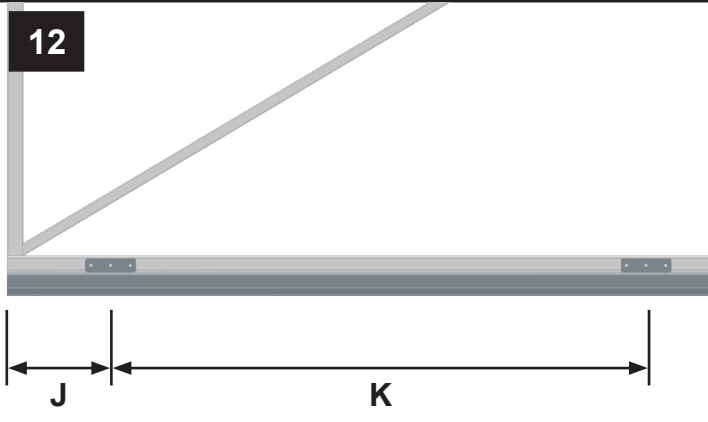
10



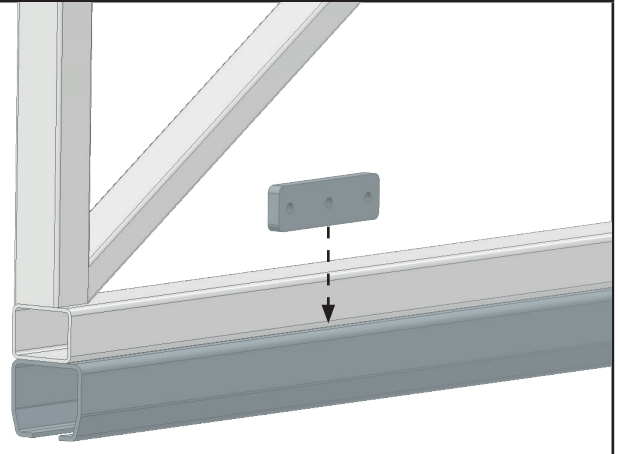
11



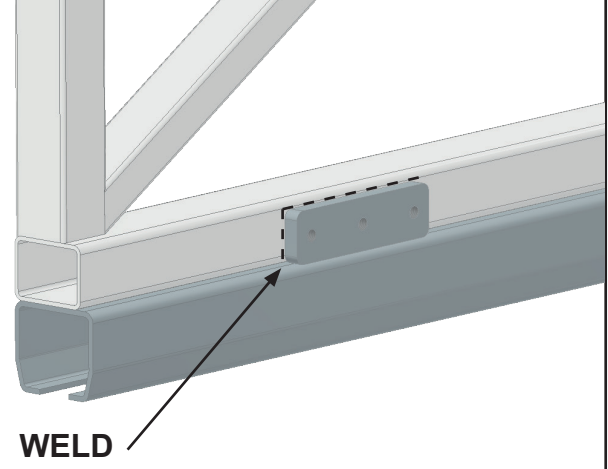
12



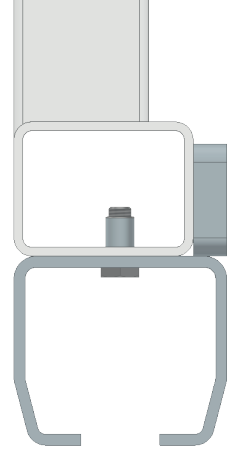
13



14



15

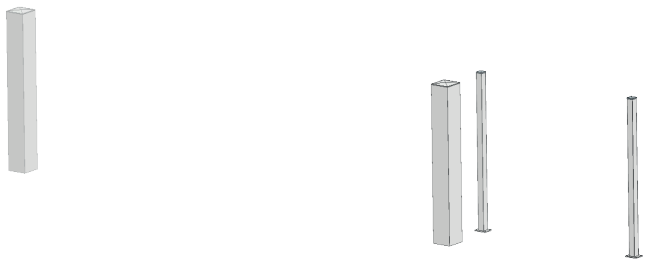


16

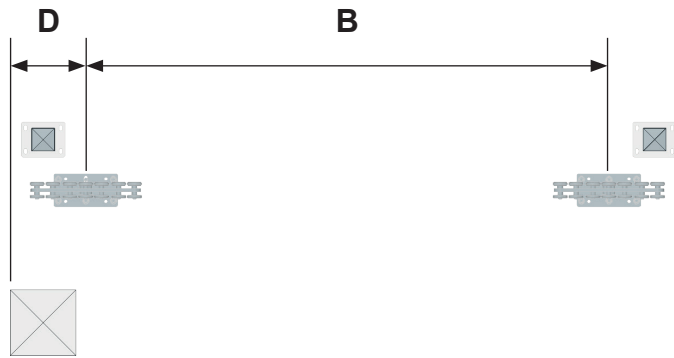


WELD

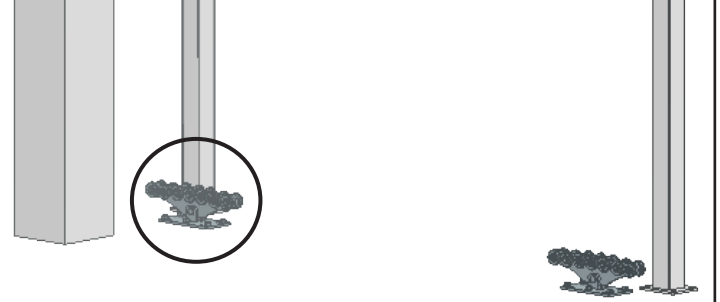
17



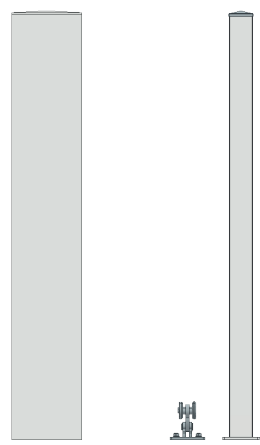
18



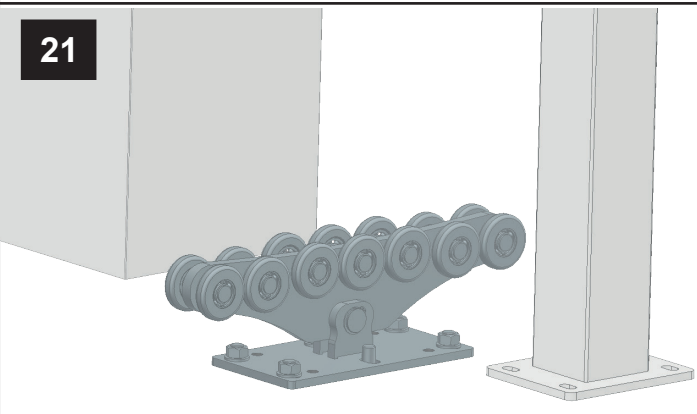
19



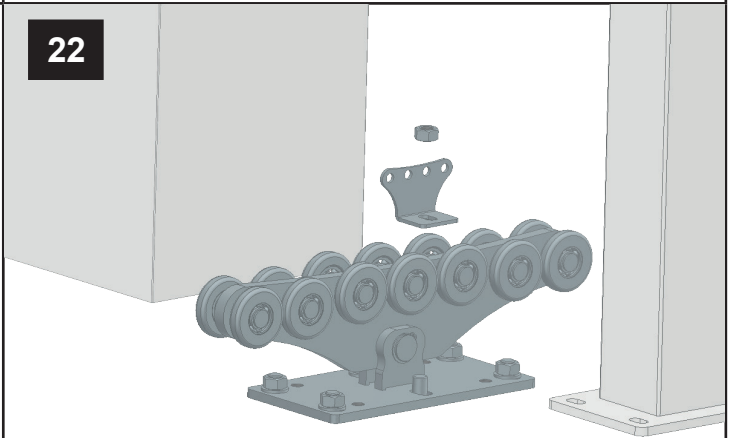
20



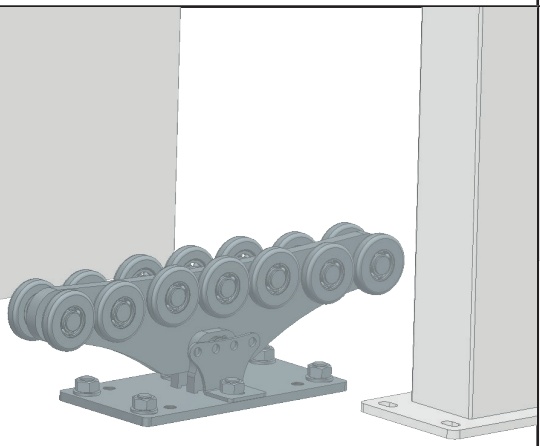
21



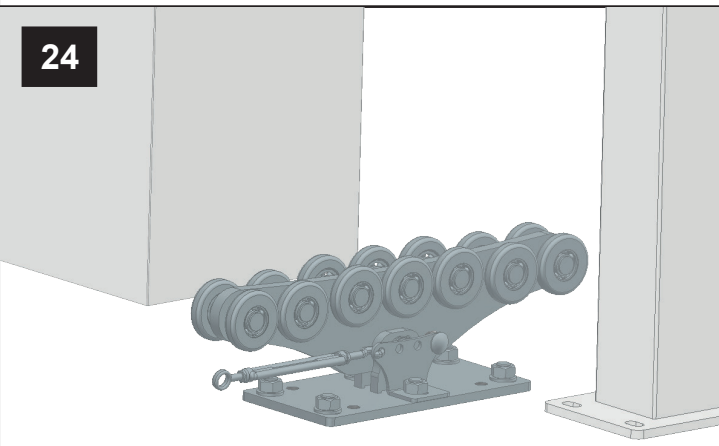
22



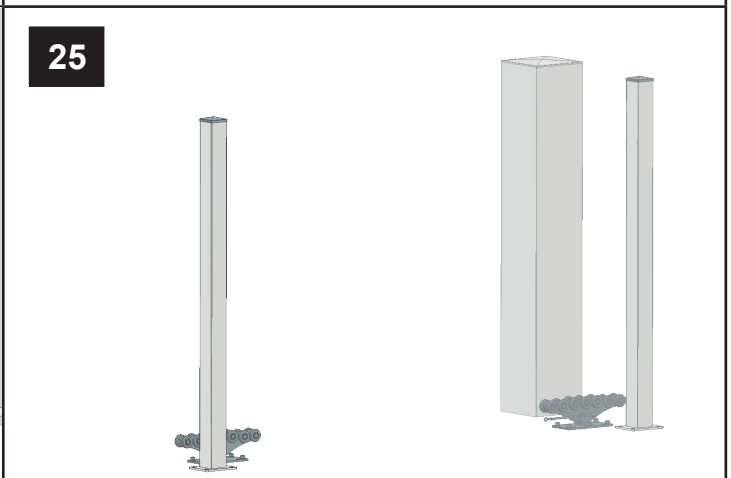
23



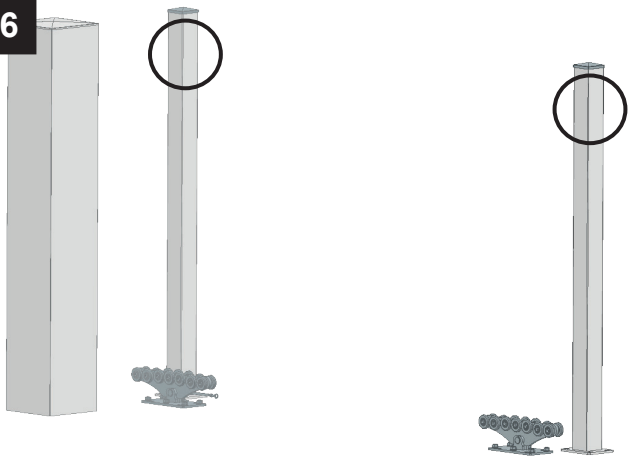
24



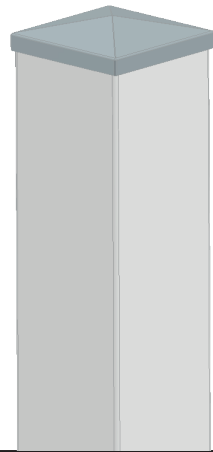
25



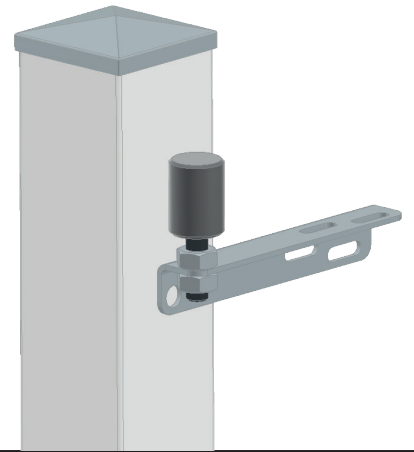
26



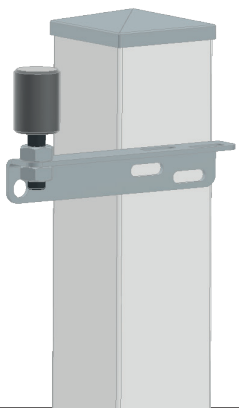
27



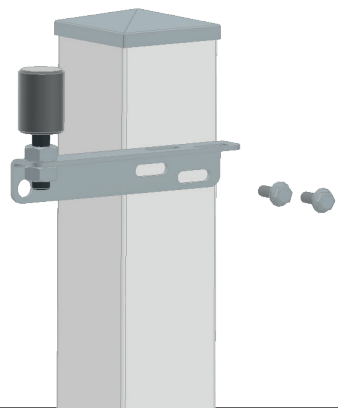
28



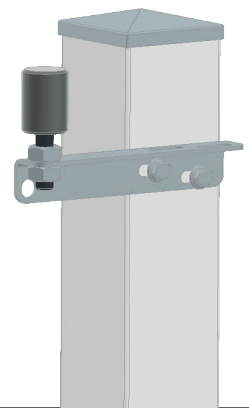
29



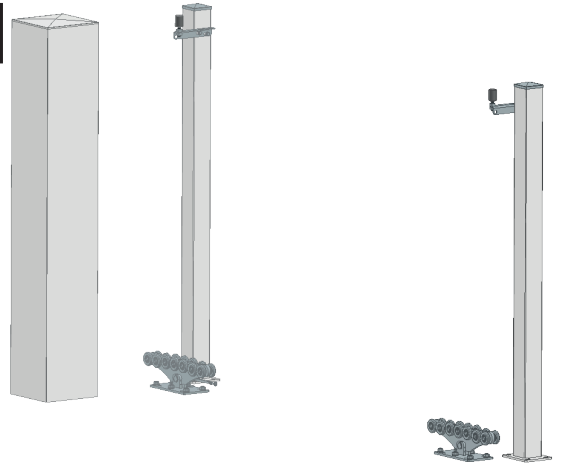
30



31



32



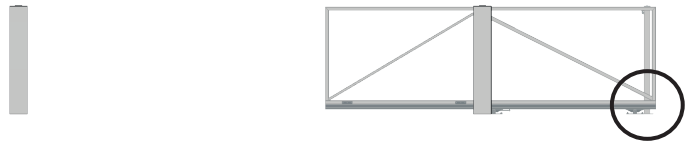
33



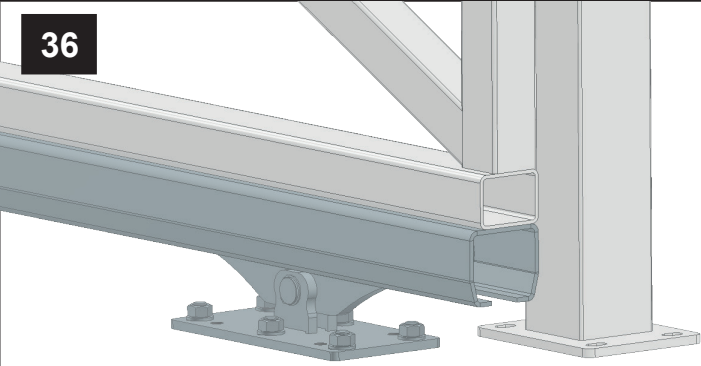
34



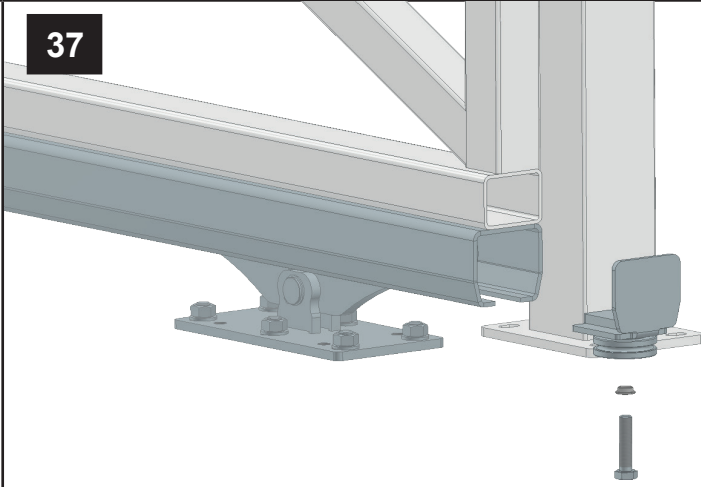
35



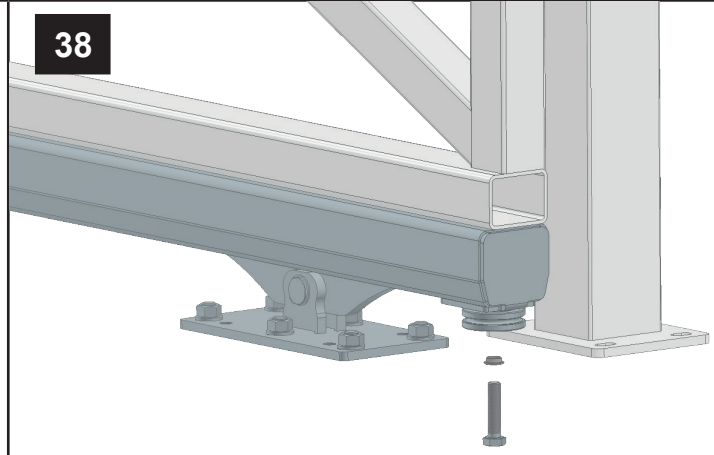
36



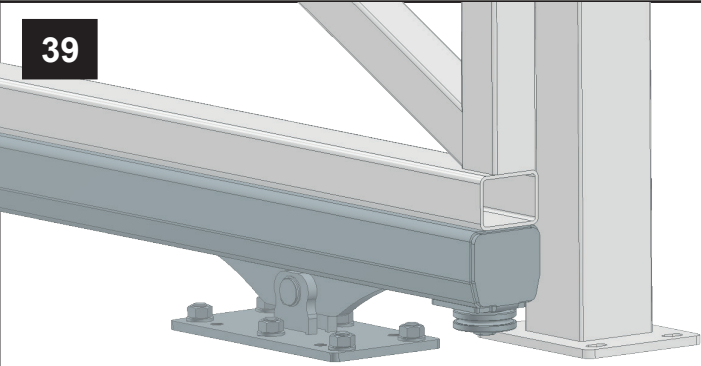
37



38



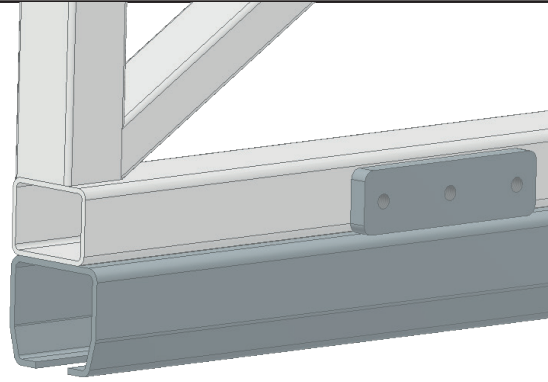
39



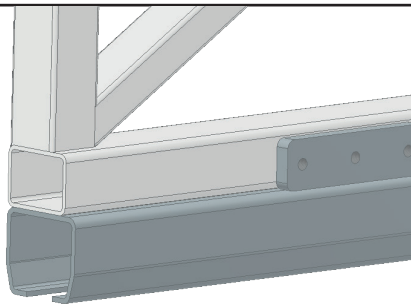
40



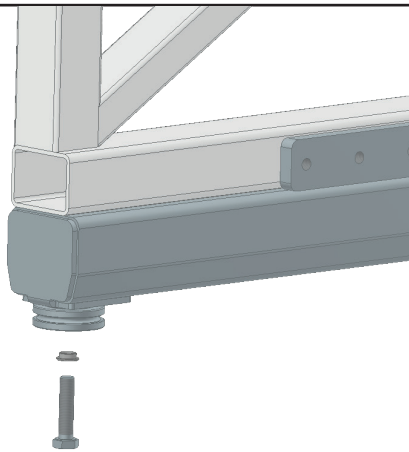
41



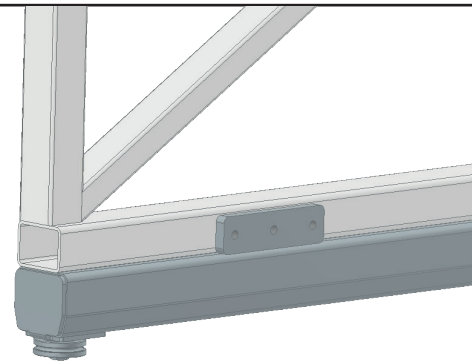
42



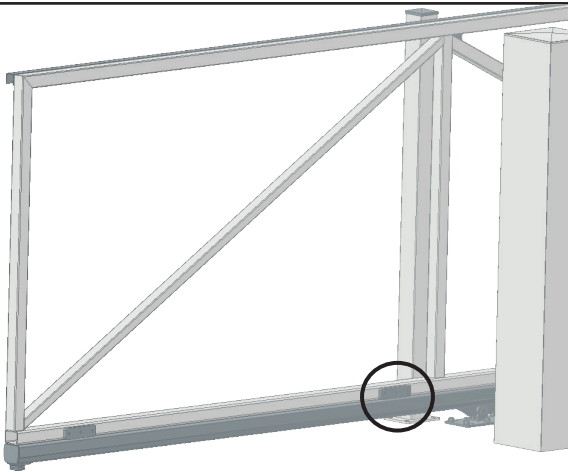
43



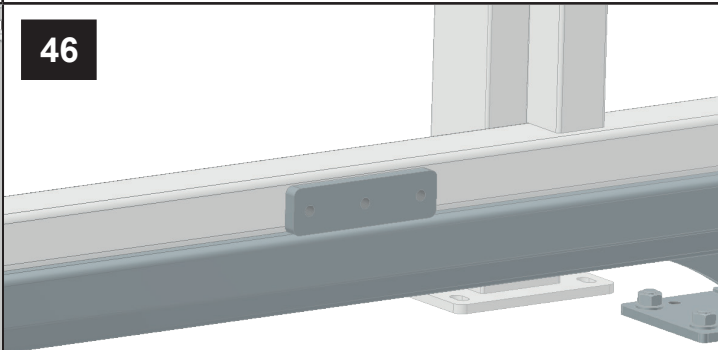
44



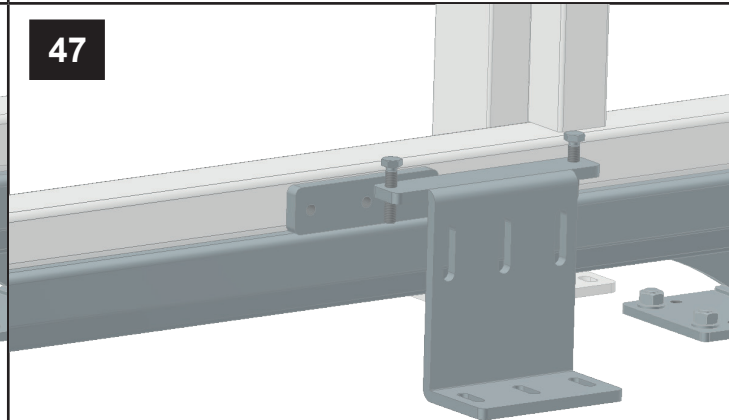
45



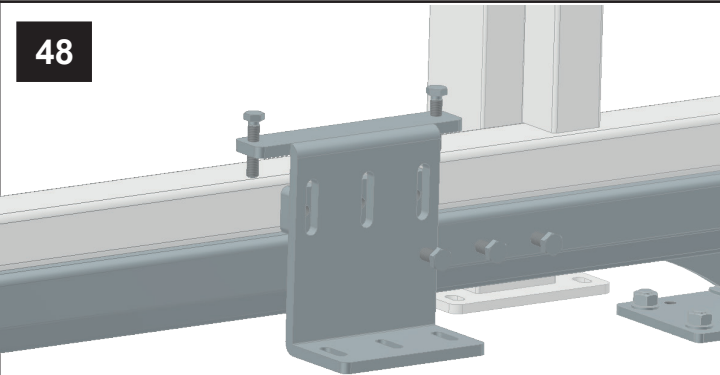
46



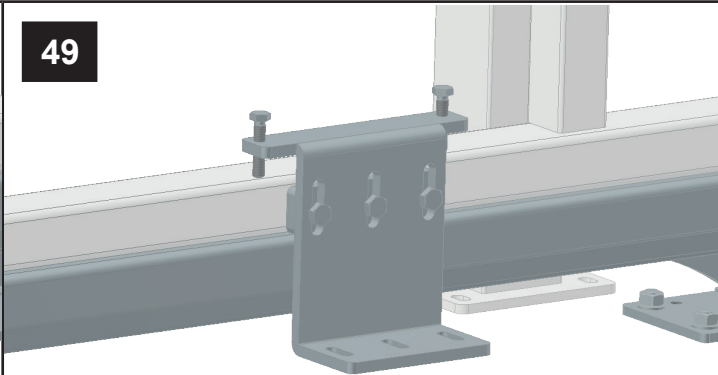
47



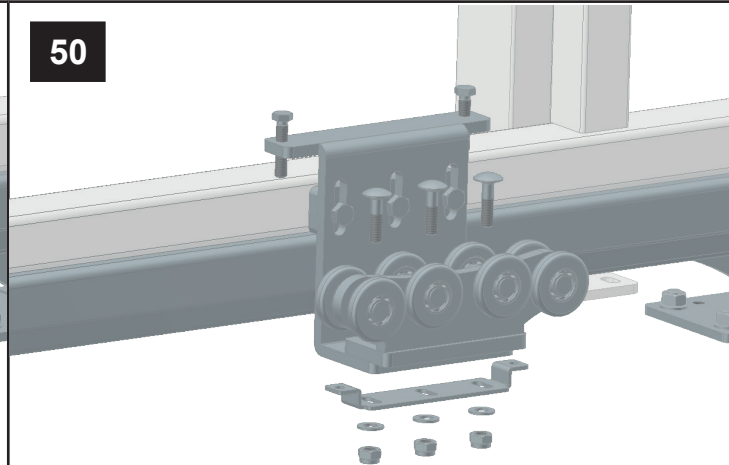
48

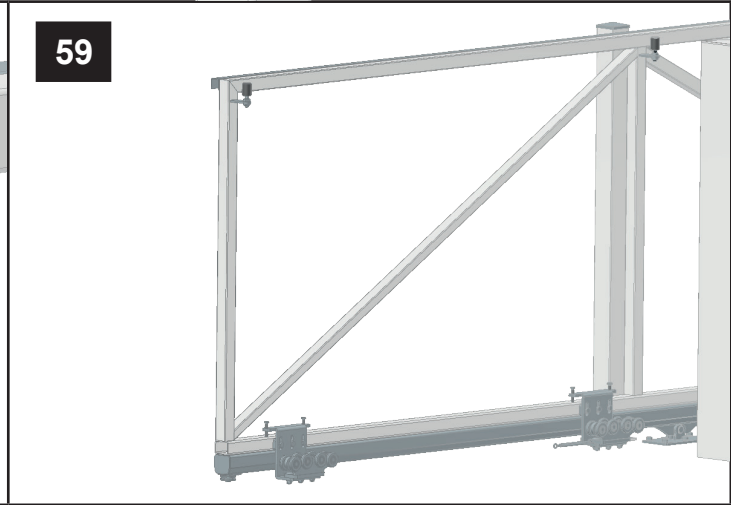
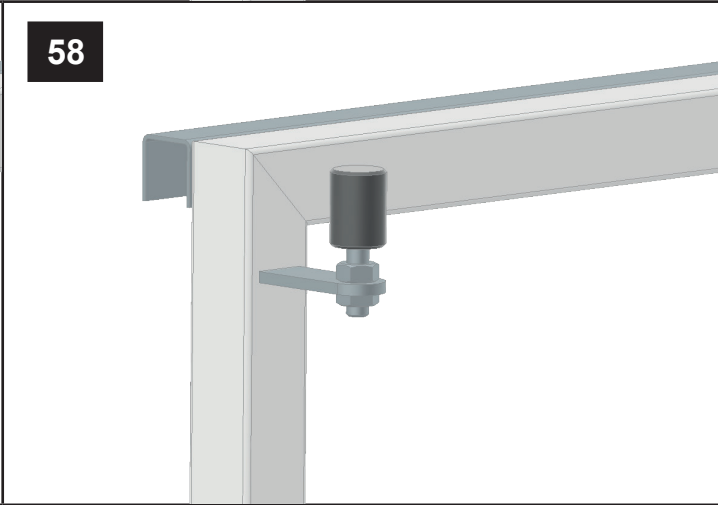
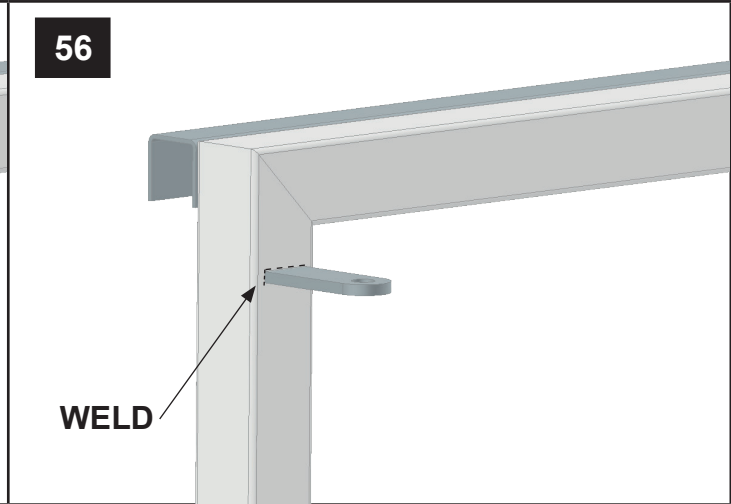
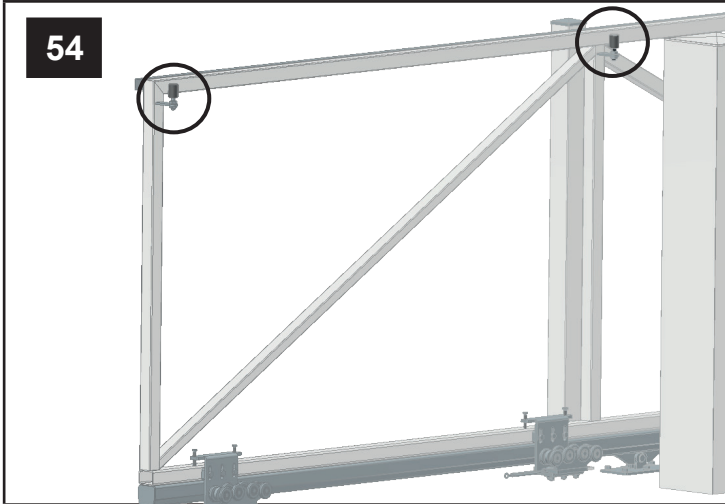
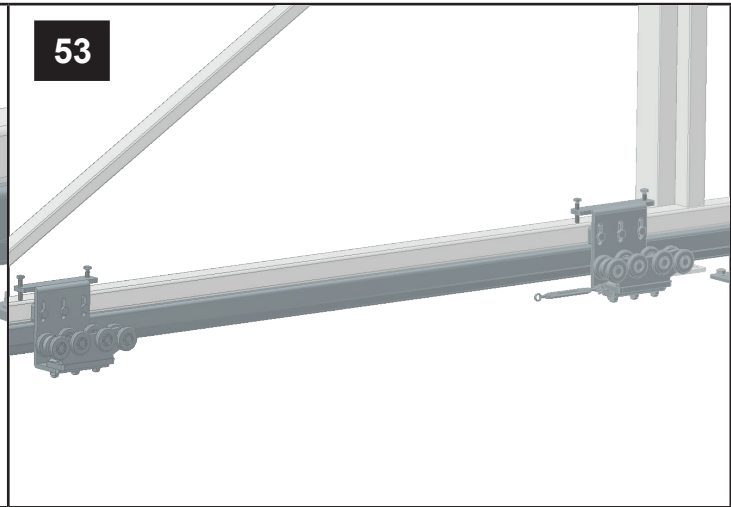
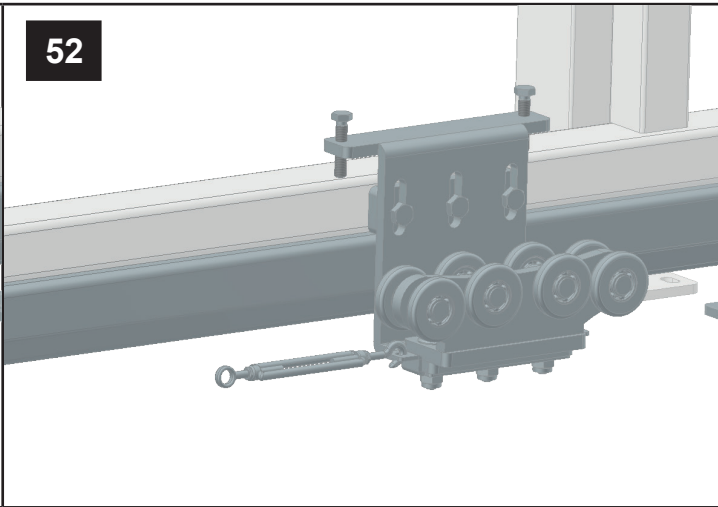
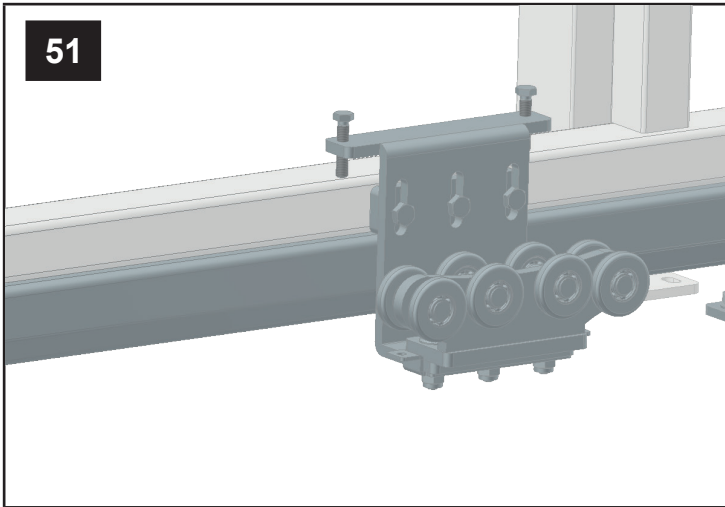


49

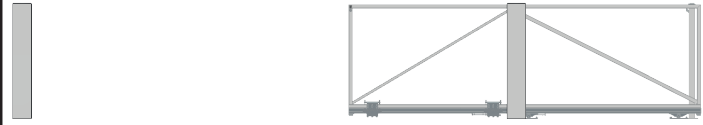


50

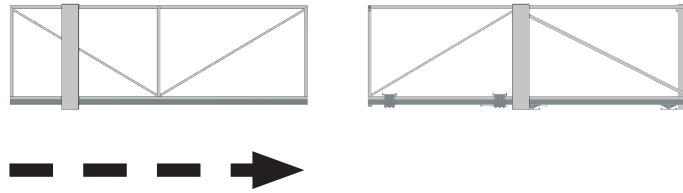




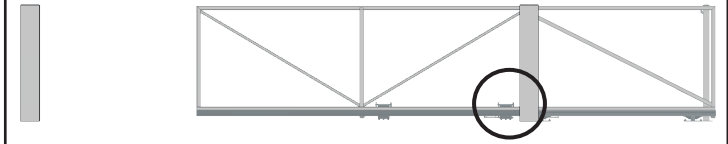
60



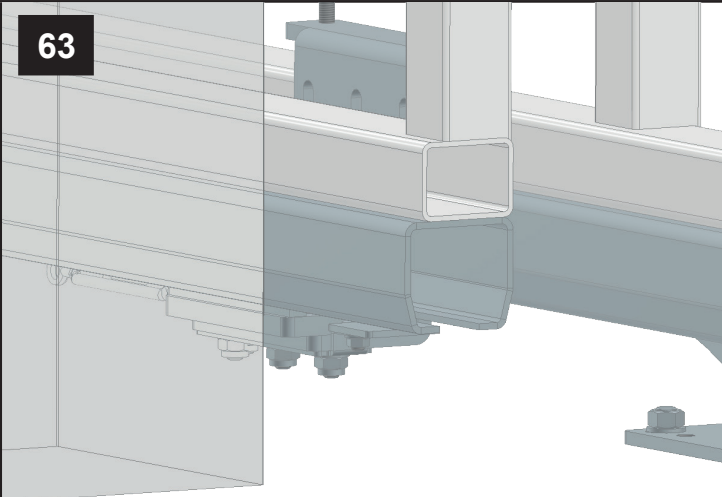
61



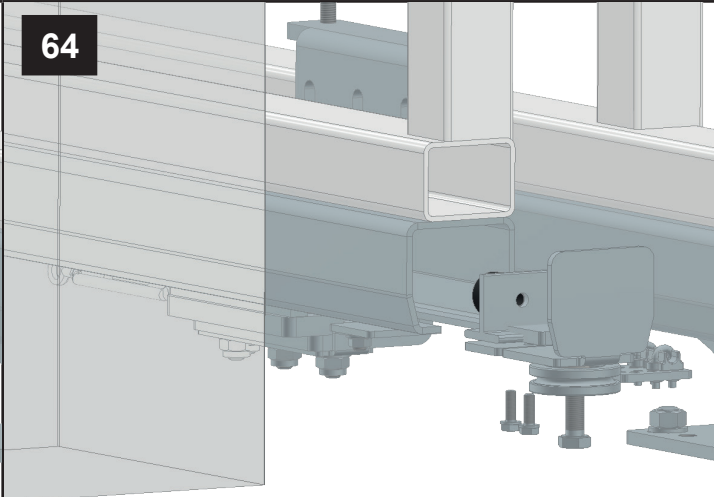
62



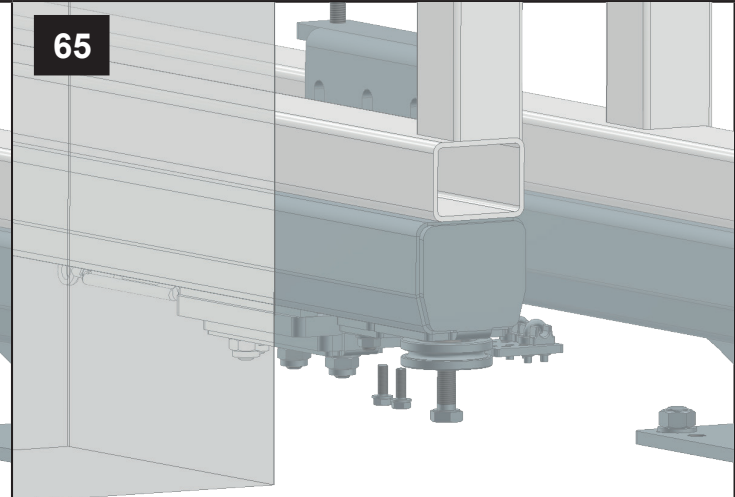
63



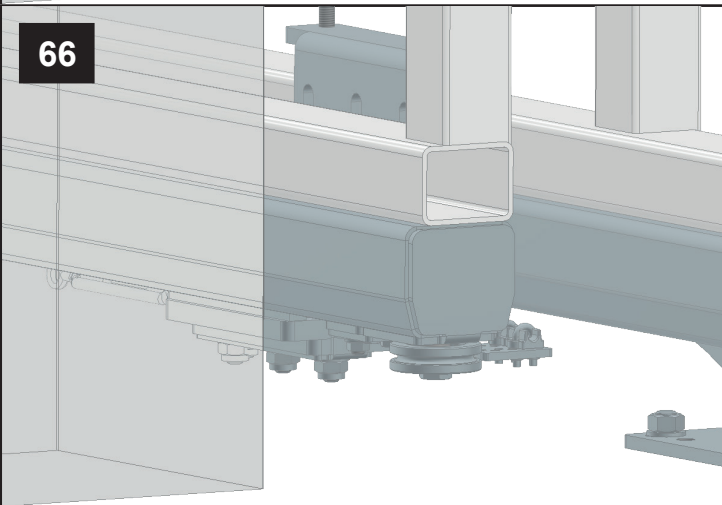
64



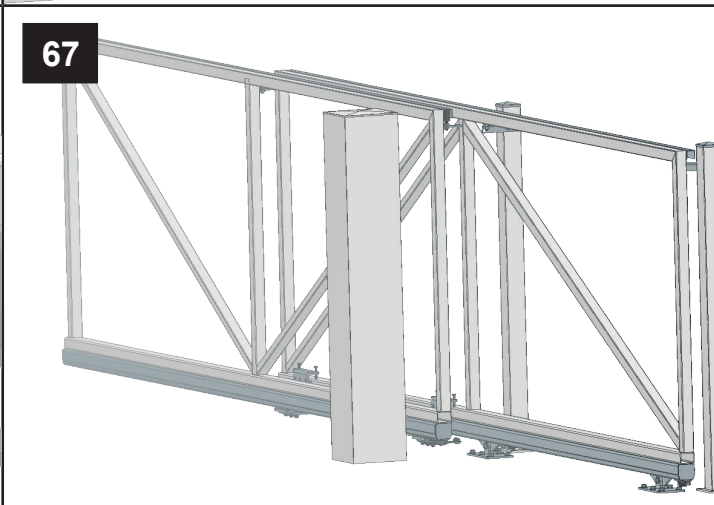
65



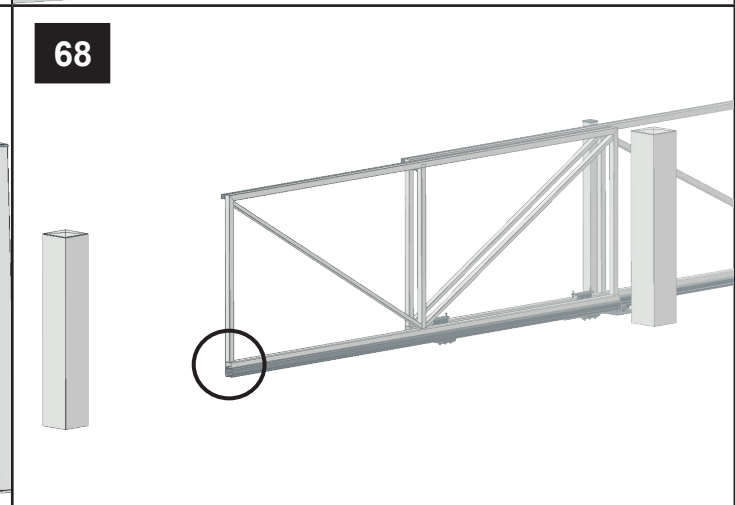
66



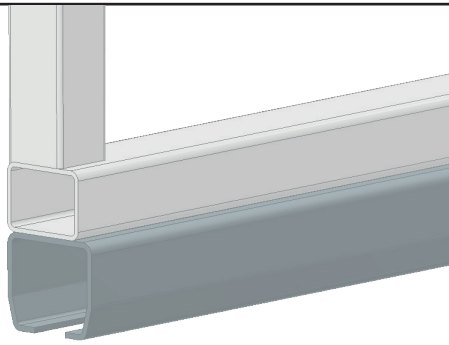
67



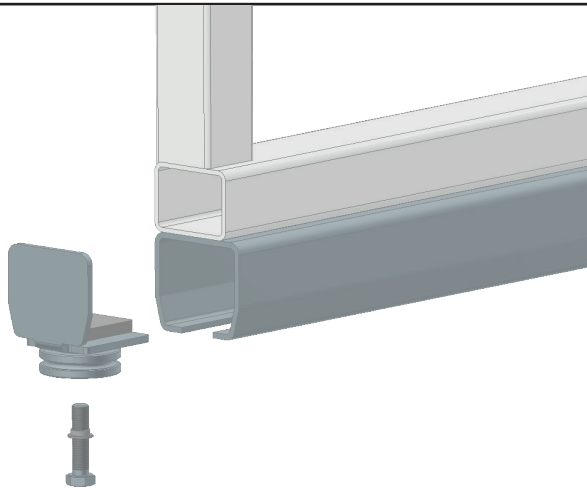
68



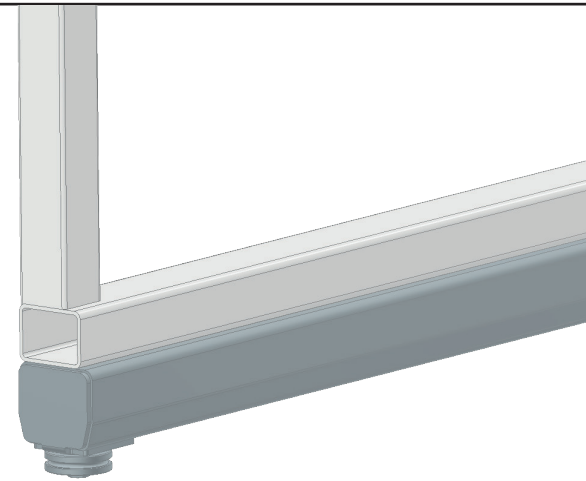
69



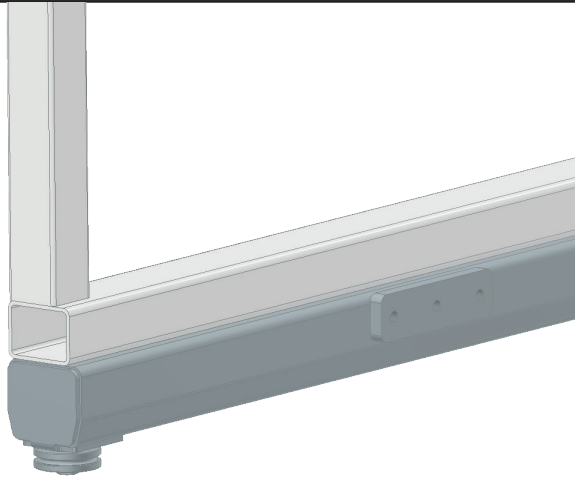
70



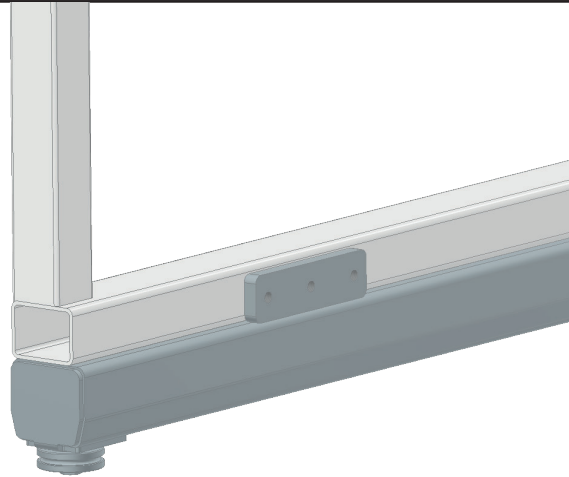
71



72



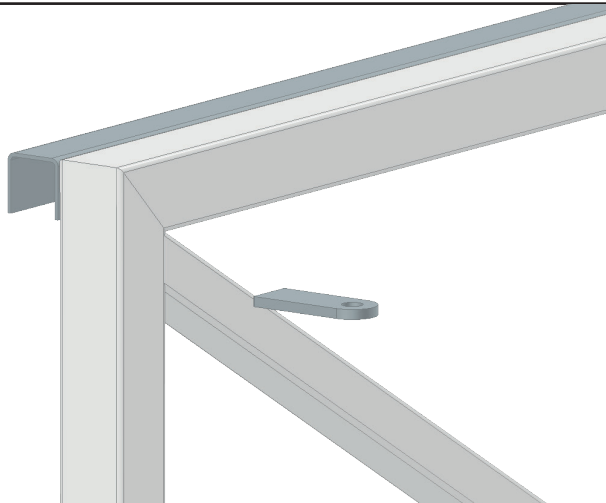
73



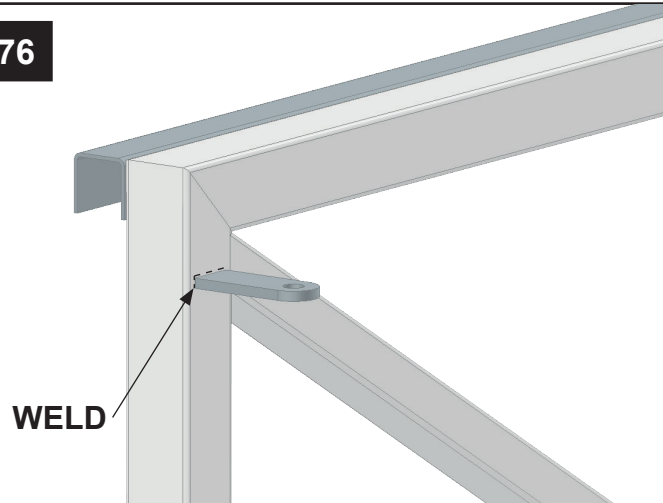
74



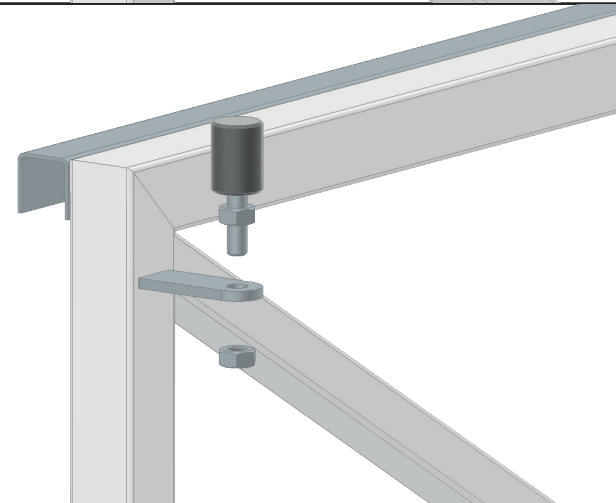
75



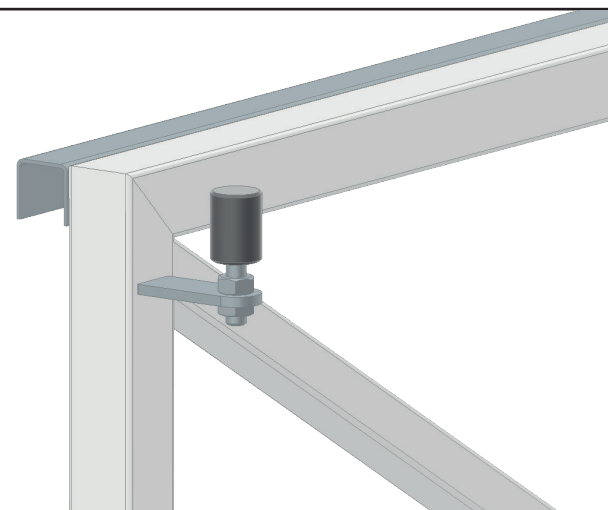
76



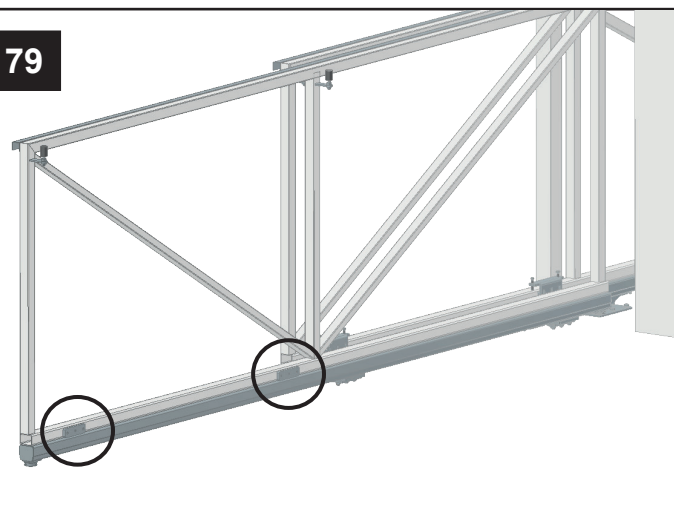
77



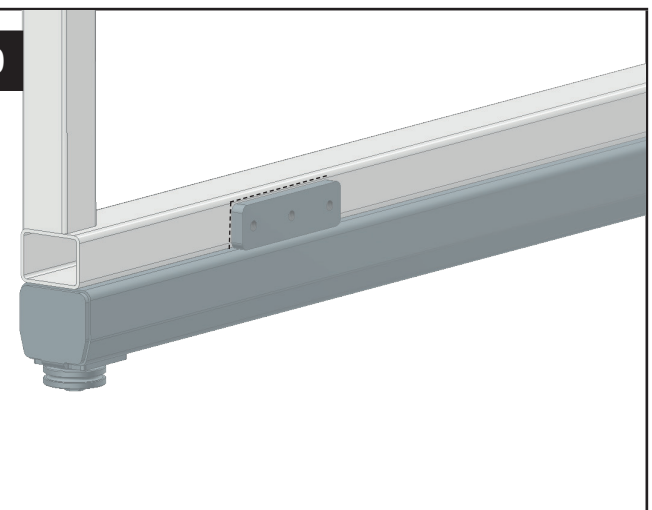
78



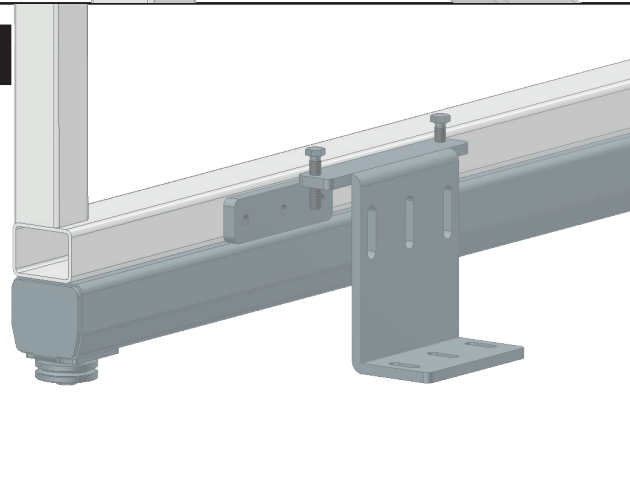
79



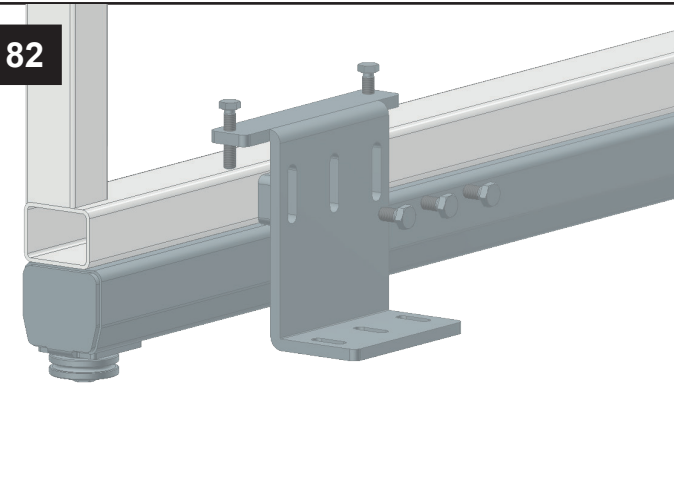
80



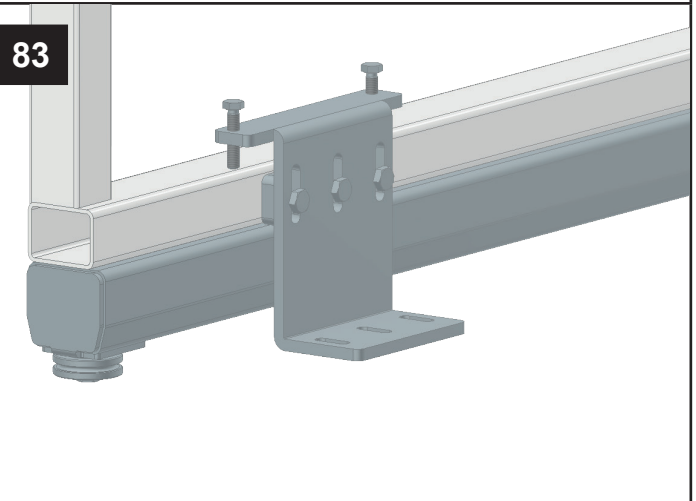
81



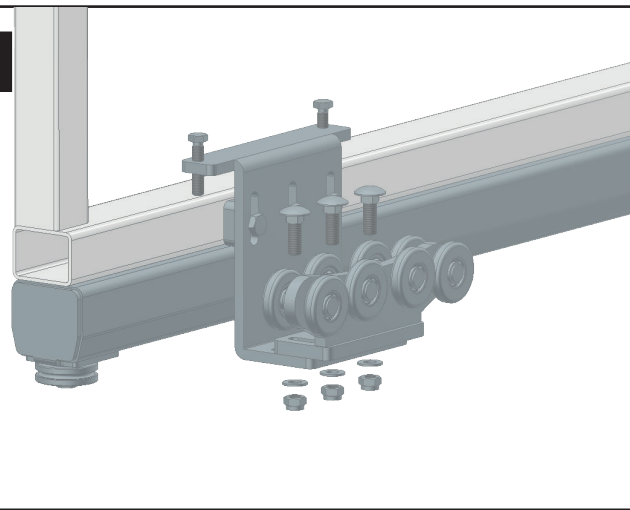
82



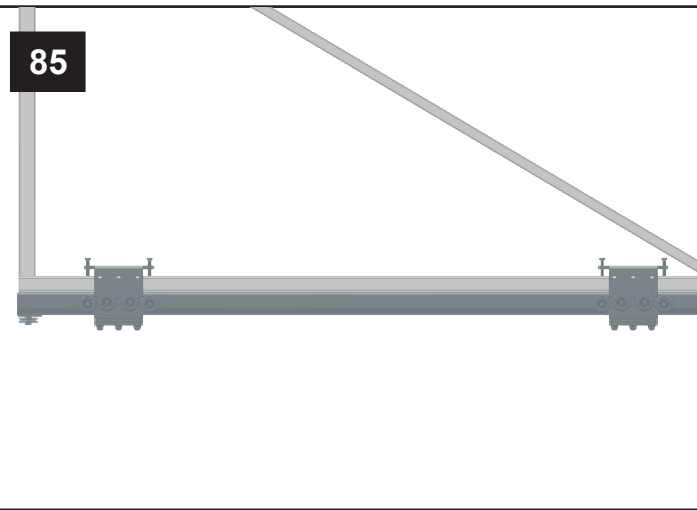
83



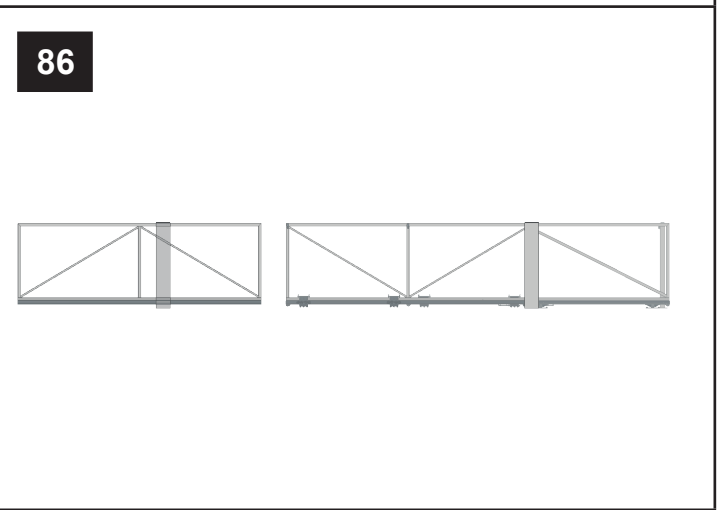
84



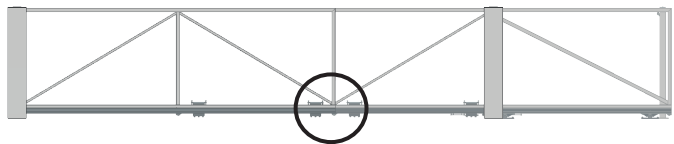
85



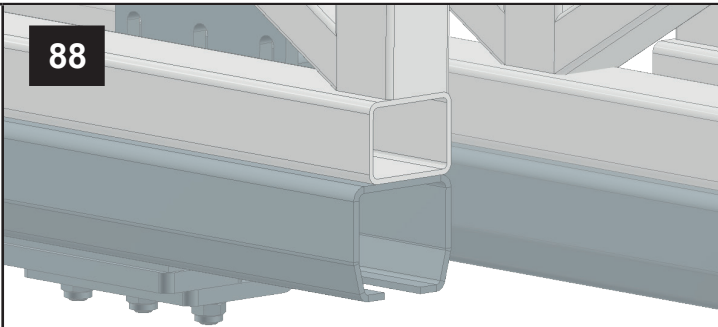
86



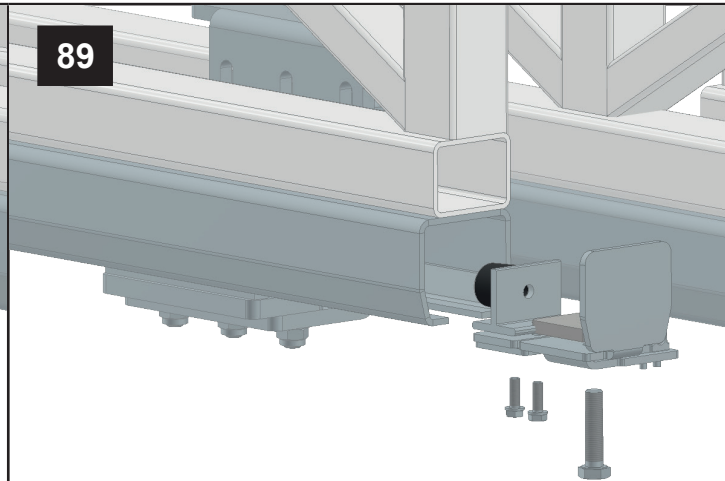
87



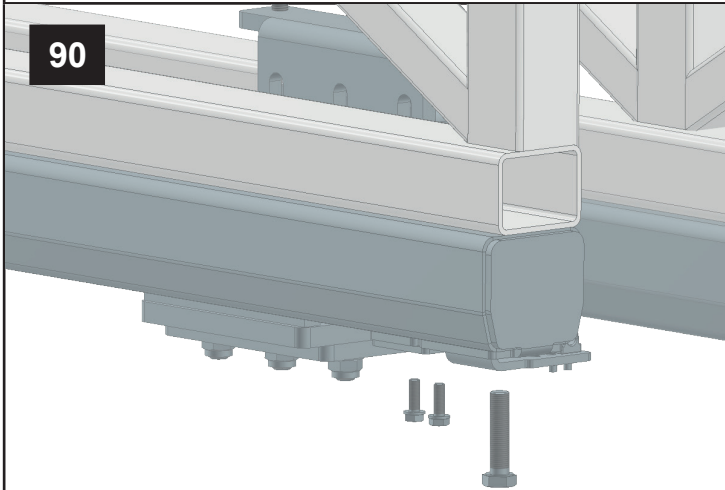
88



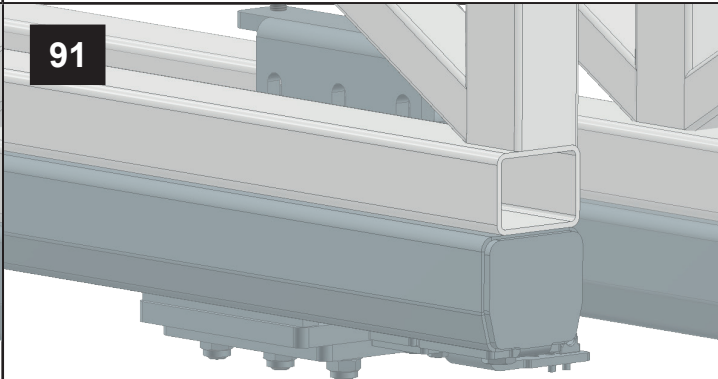
89



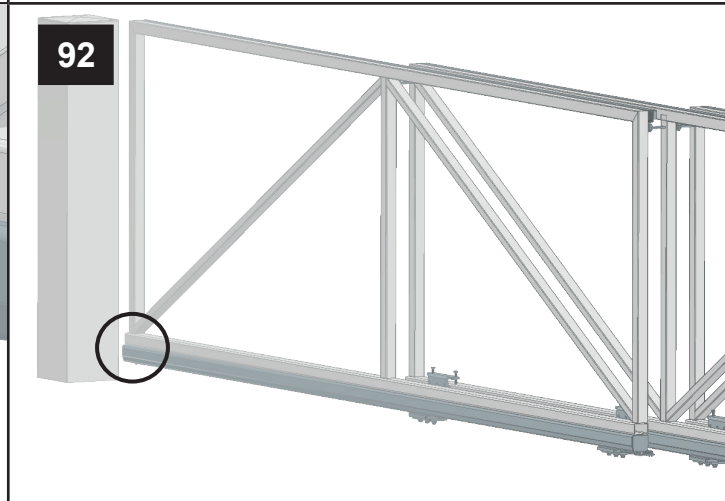
90



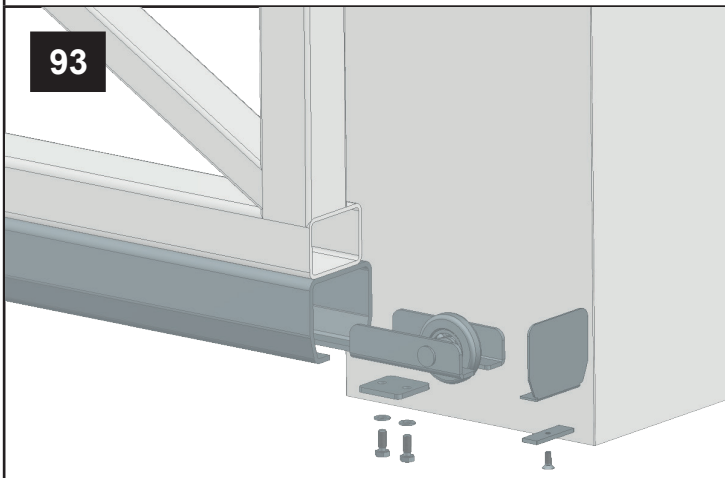
91



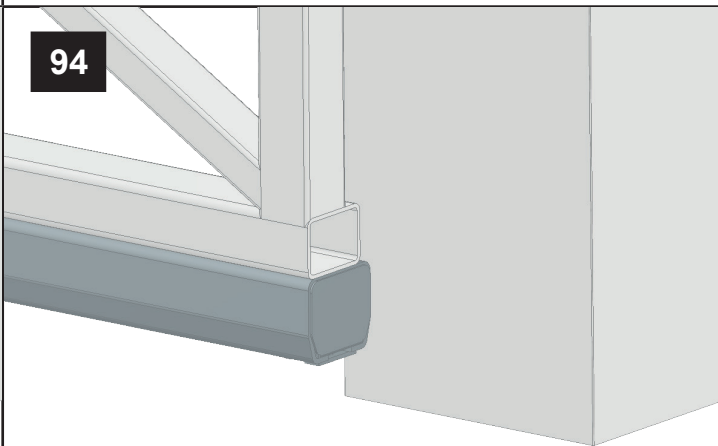
92

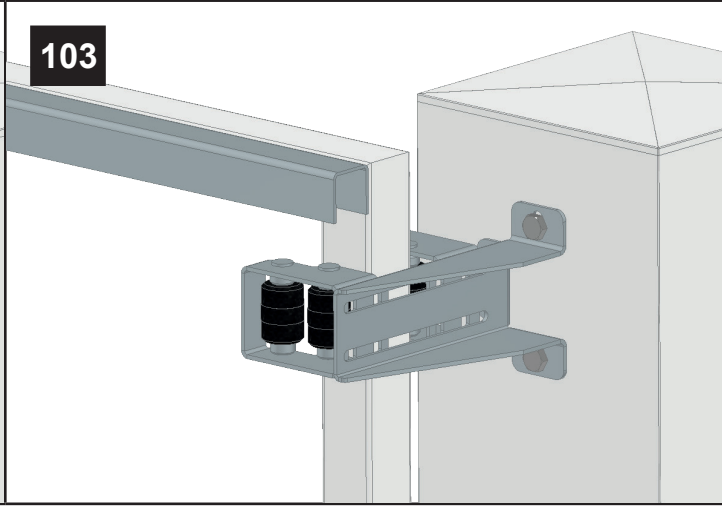
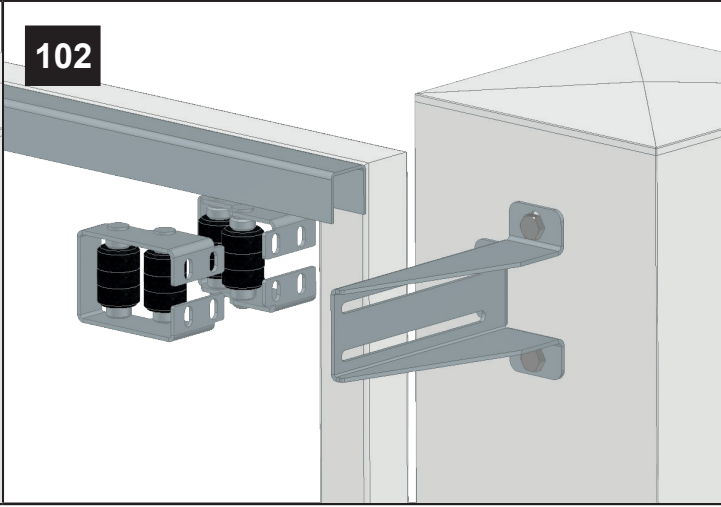
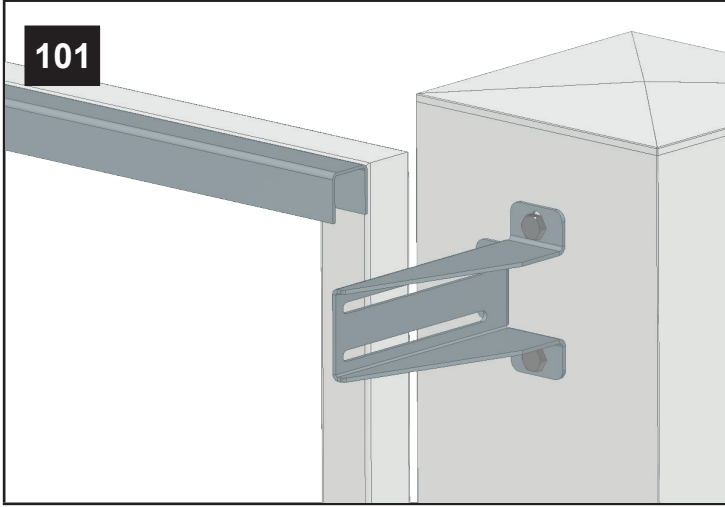
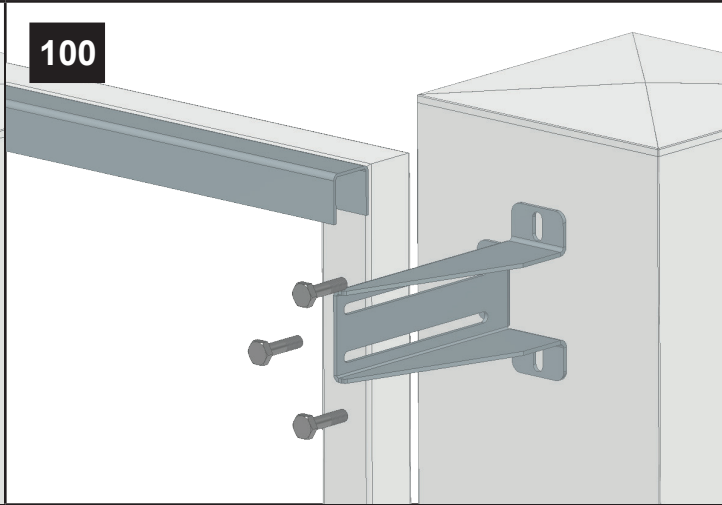
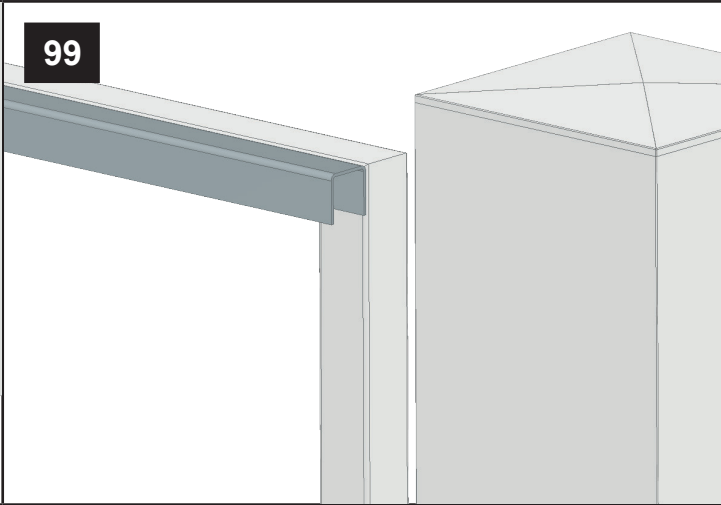
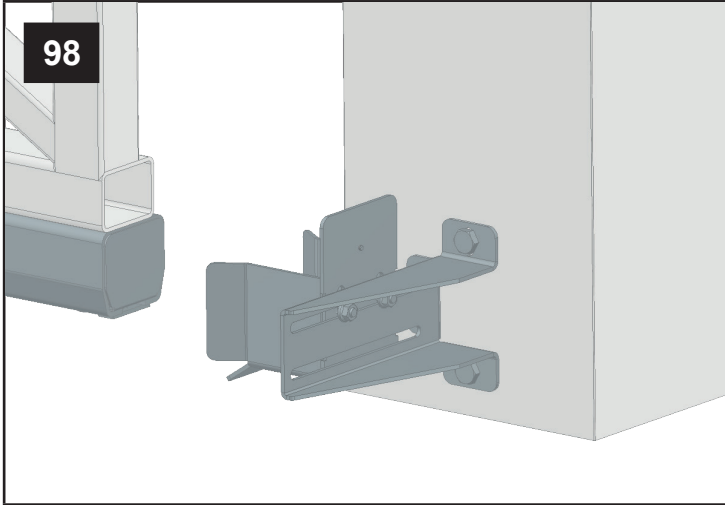
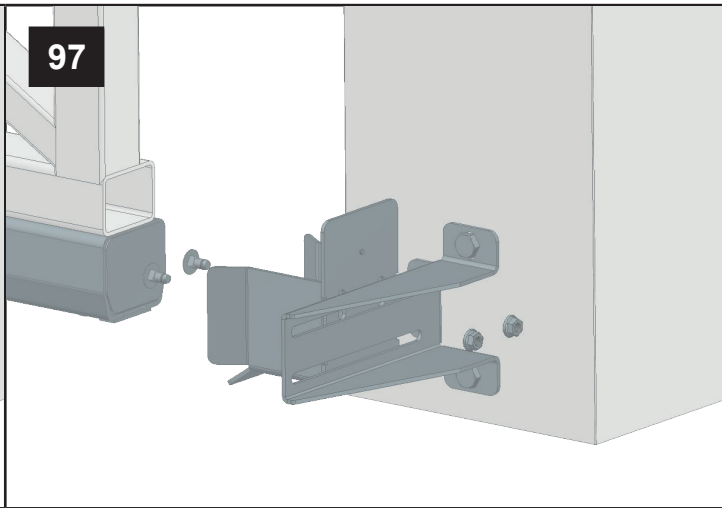
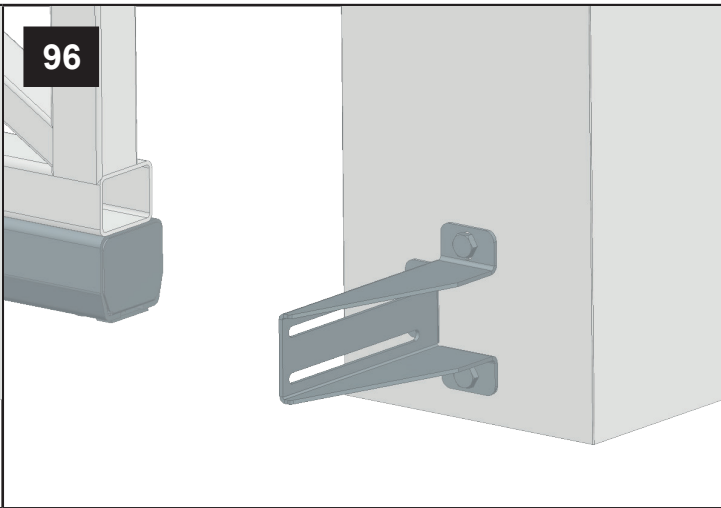
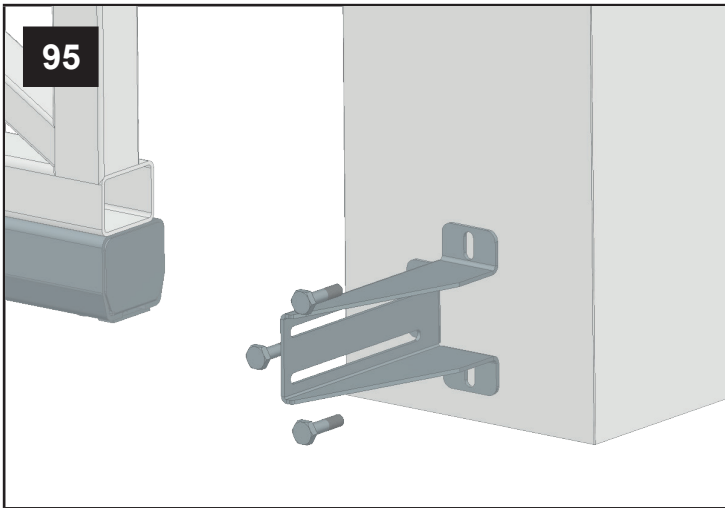


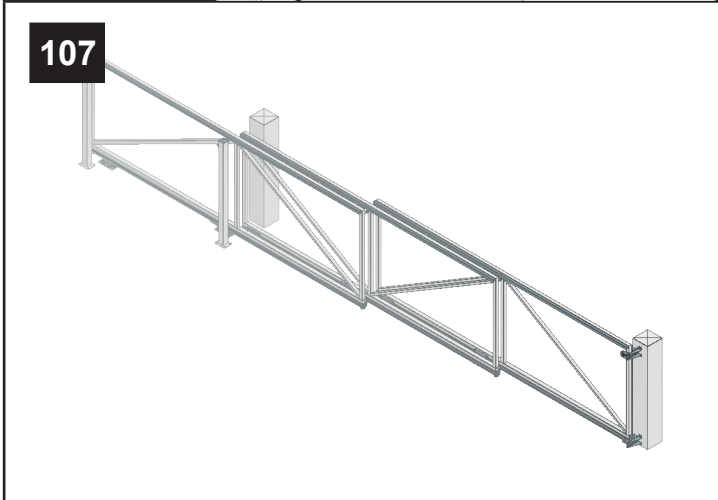
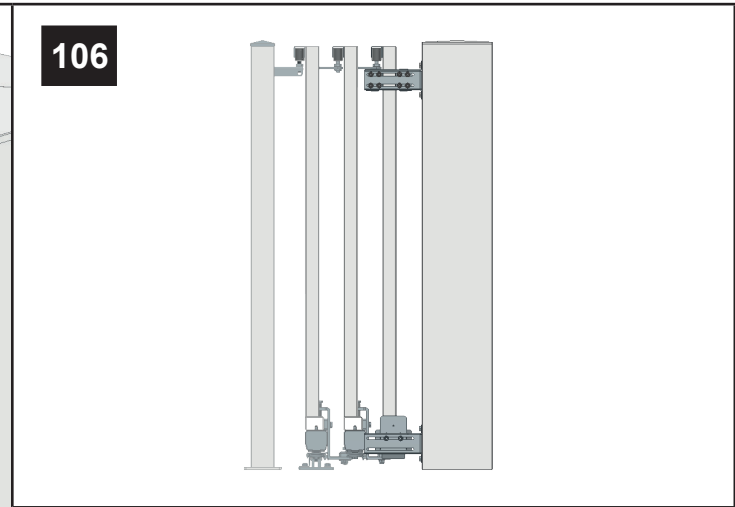
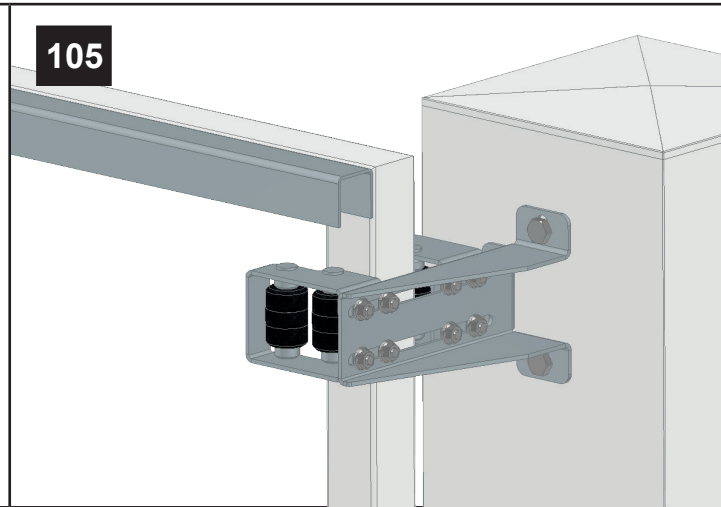
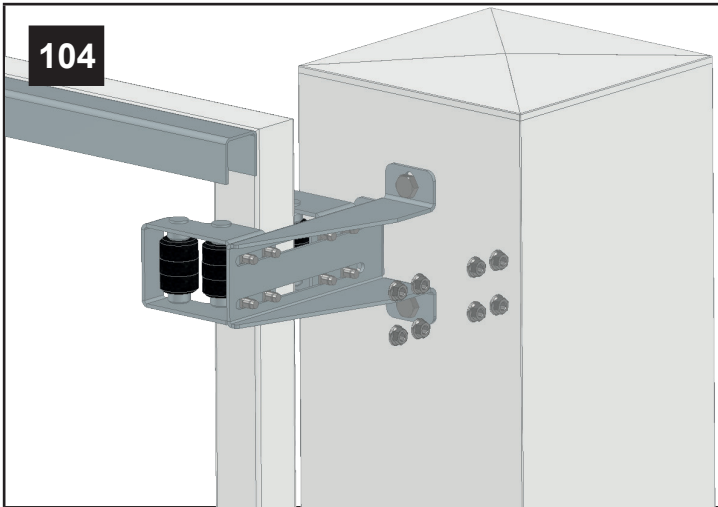
93

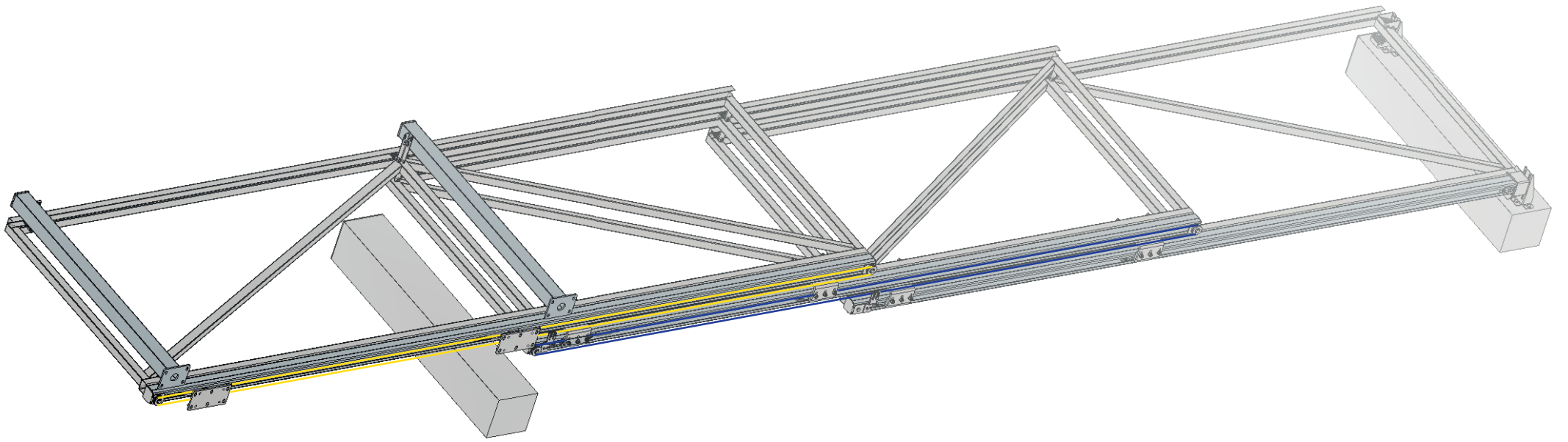


94

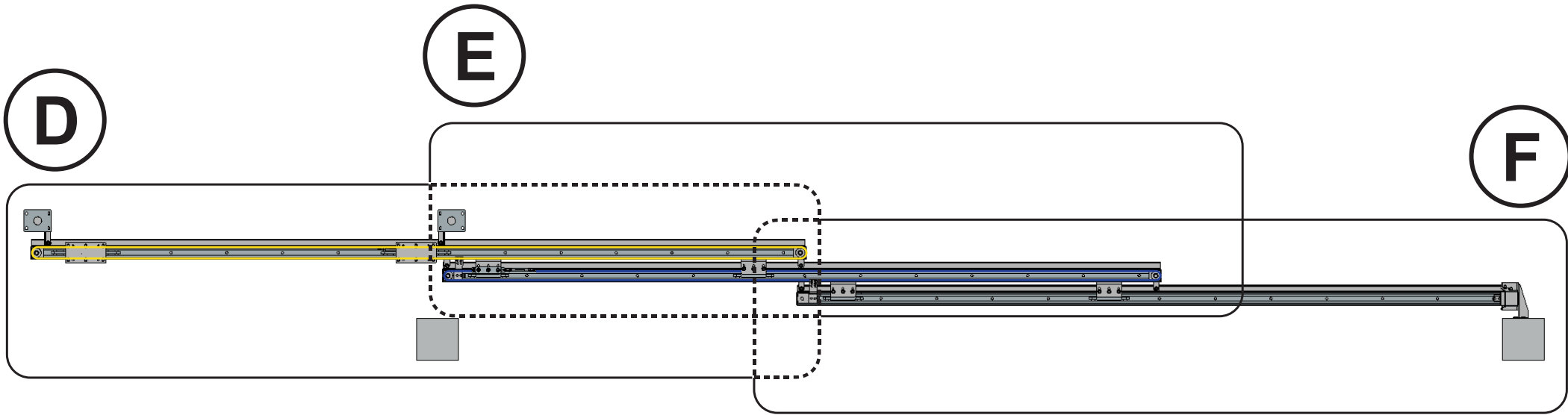




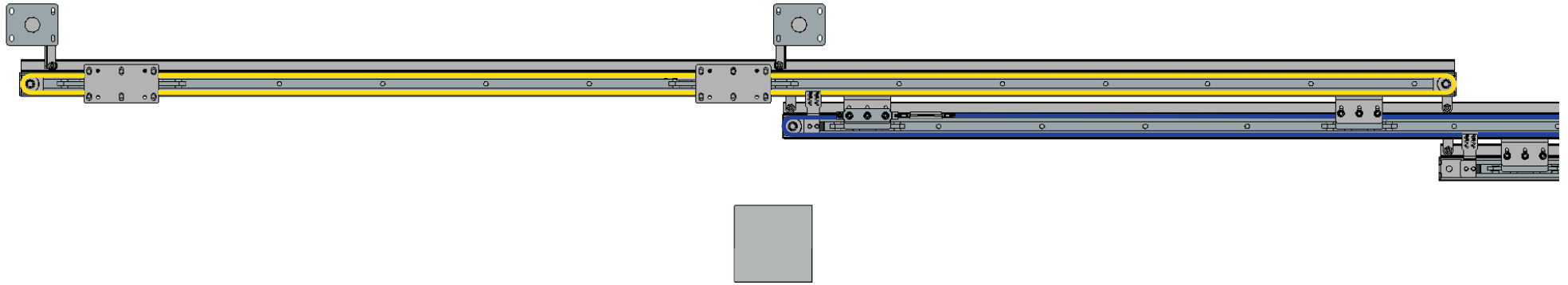




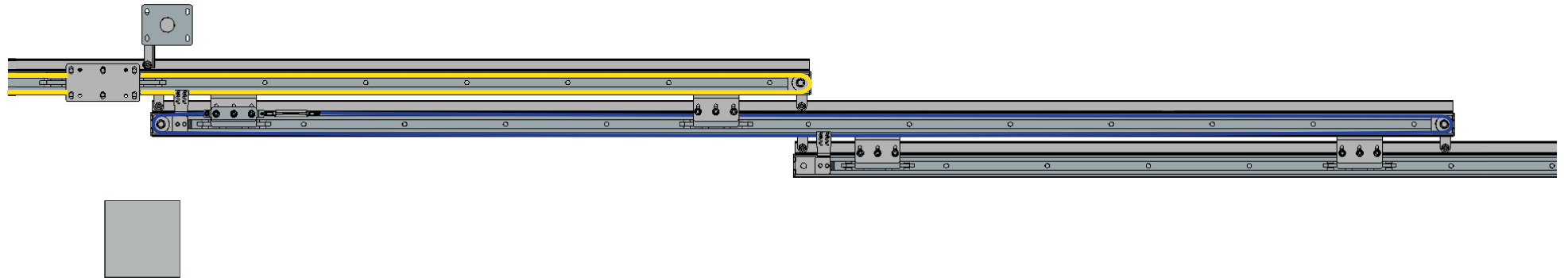
DETAILS:



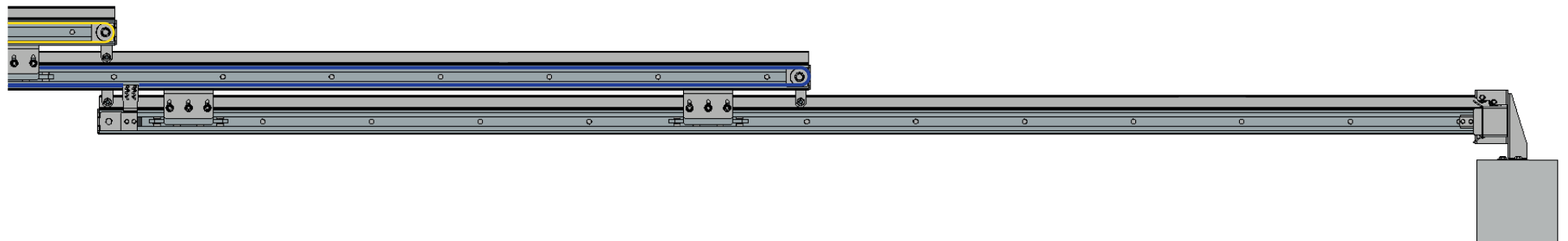
DETAIL: D

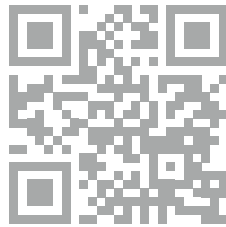


DETAIL: E



DETAIL: F





www.cais.eu