

WEJOIN DC24V Variable-Frequency Barrier Gate WJDZ04VF

WEJOIN[®]

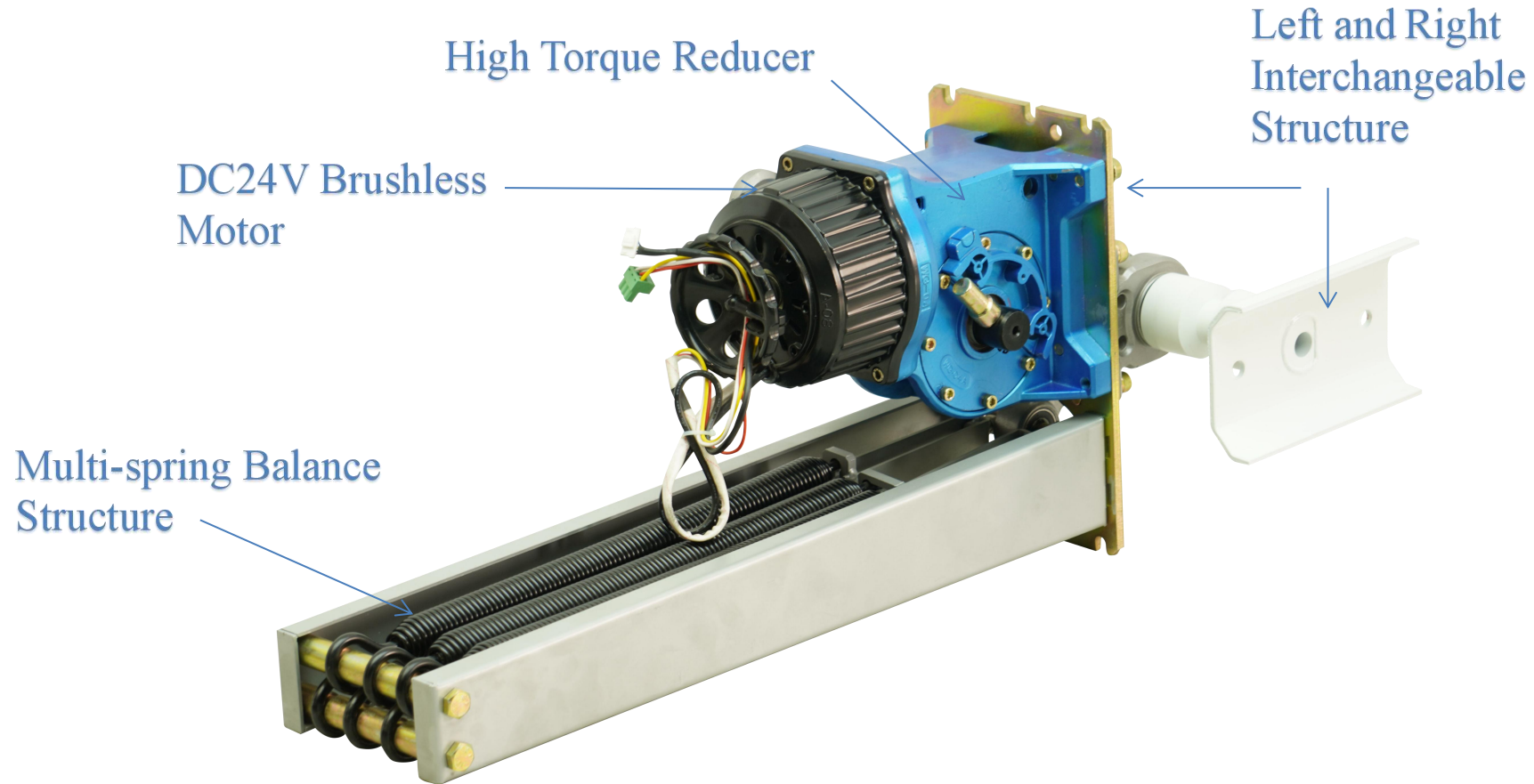


Higher Stability, Longer Service Life and Easier Operation

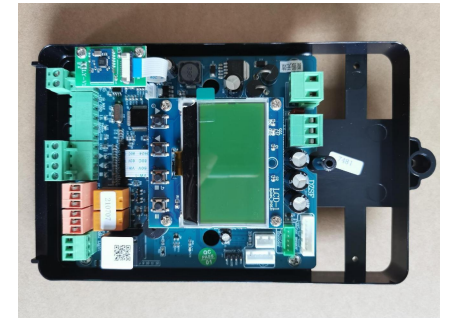
No.	Item	Functions & Features
1	Motor	Self-developed DC24V brushless motor, with stable and reliable worm gear and planetary reduction transmission structure, large torque, and wear resistance.
2	Control System	DC variable-frequency control system, precise control, more flexible running, less mechanical impact and longer service life.
3	Auto-reversing on Obstruction	Sensitive, responsive, safe and reliable.
4	Control Panel	Large LCD screen display, English visual menu, simple maintenance and easy operation.
5	Remote Controller	433MHZ, simple to add remote controllers.
6	Operation during Power-off	Turn the handwheel or lift the boom manually to realize the boom up and down, and it can also be powered by a DC24V battery, or open one time by a super capacitor backup.
7	Motorcade Passing, Counting, Auto-aging Test, Delay Auto-closing, Relay Signal Output, RS485 Communication	Support
8	Loop Detector, Infrared Photocell, Radar	Optional
9	Warranty Period	24 months for motor and control board

No.	Item	Model				WJDZ04VF-E					WJDZ04VF-H				
1	Running Speed (Seconds: S)	0.6S		0.8S	1.2S	1.5S	1.5~6S		6S	6S	6S	6S	6S		
2	Boom Type	Carbon Fiber Round		Mid-size, Straight		Straight		90° Folding	180° Folding		2 Fence	3 Fence			
3	Max Boom Length (Meters: M)	3M		3M	3.5M	4M	3~6M		5M	4M	4.5M	4M			
4	Cabinet Dimension (W*D*H)	336*325*1030MM, 335*285*920MM													
5	Power Supply Input Voltage	AC220V±10%, or AC110V±10%													
6	Control Board Input Voltage	DC24V±10%, 10A													
7	Motor Voltage	DC24V													
8	Enclosure Rating	IP54													
9	Working Temperature	-30°C~ + 70°C													
10	MTBF	5,000,000 times					4,000,000 times								
11	Duty Cycle	90%					70%								
12	Traffic Flow Application	6000 times/ 24 hours					3000 times/ 24 hours								
13	Max Motor Power	240W					150W								
14	Max Motor Speed	1000r/min					500r/min								
15	Max Output Torque	240N.m					260N.m								

Machine Core



Control Board



Straight Boom



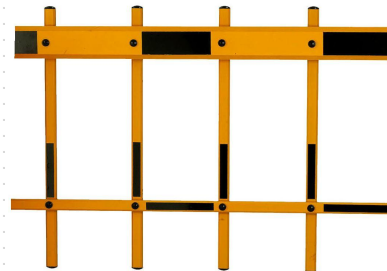
Led Boom



Round Boom



Two Fence Boom



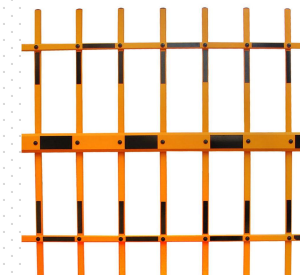
180 Degree Folding Boom



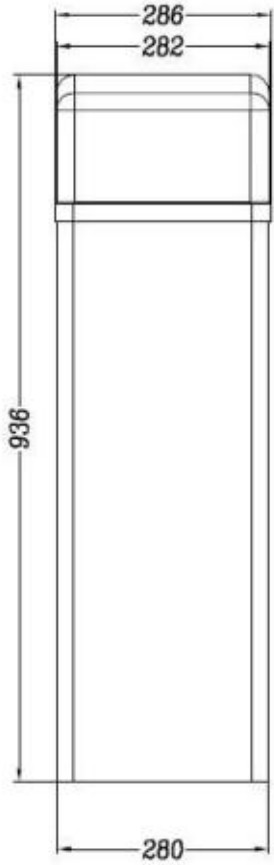
90 Degree Folding Boom



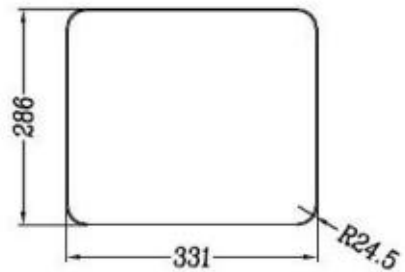
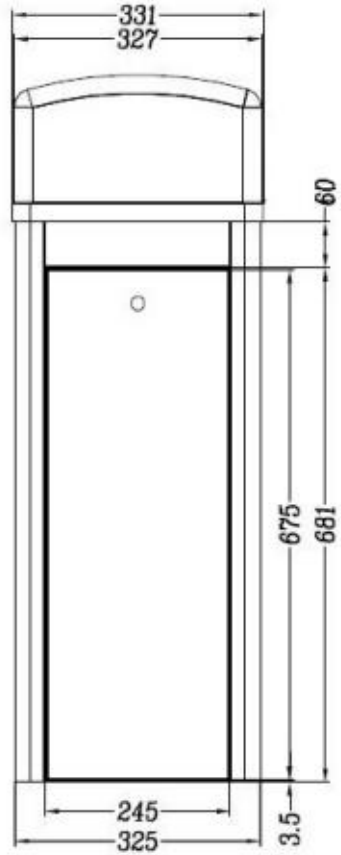
Three Fence Boom



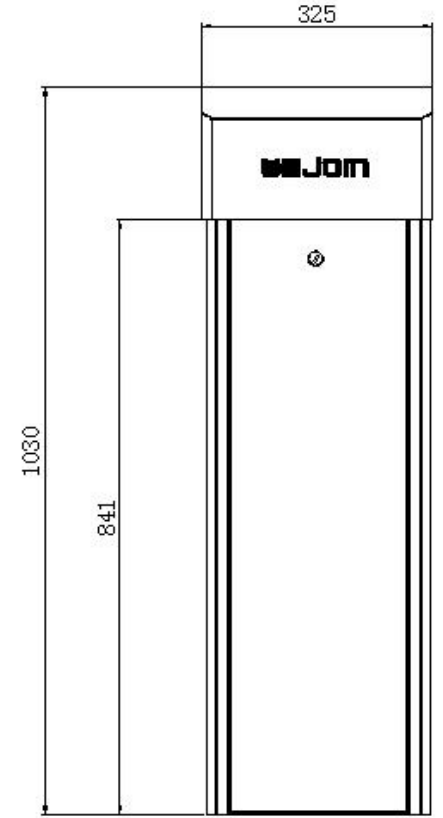
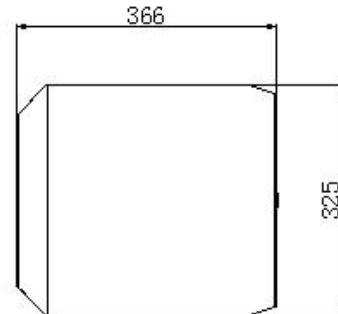
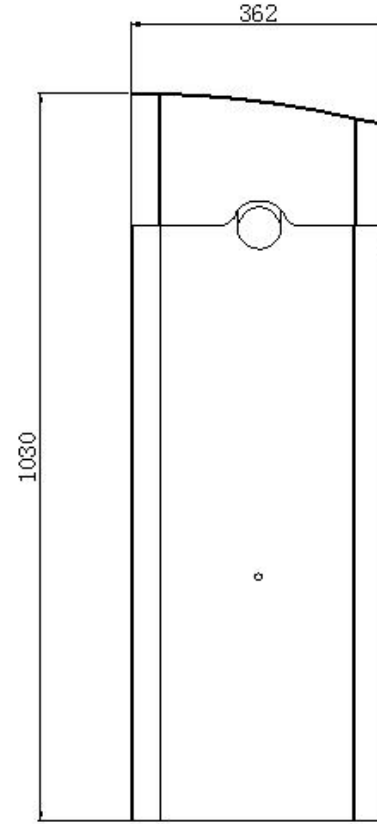
Cabinet Dimensions



DZ801



Unit: mm



DZ830



Application Examples
