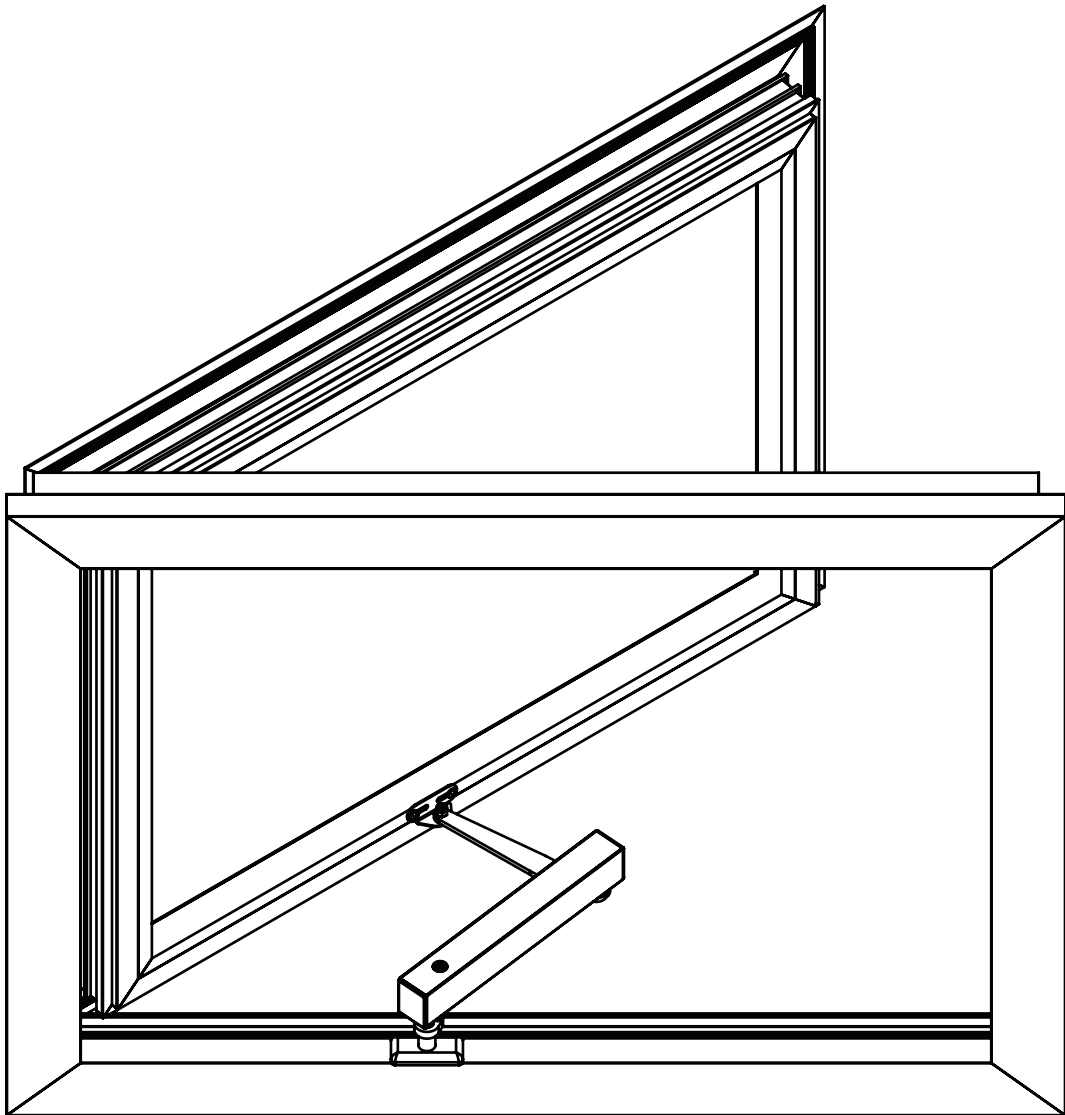


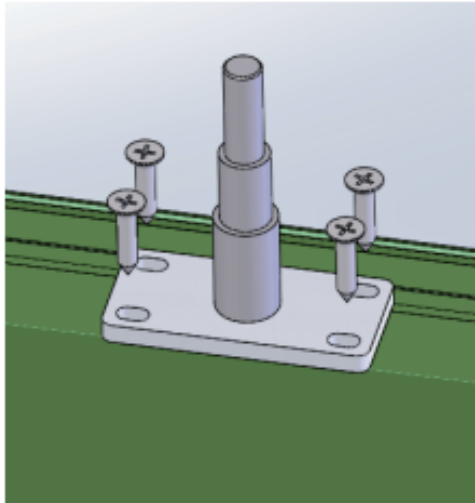
# Electric Window Opener Manual



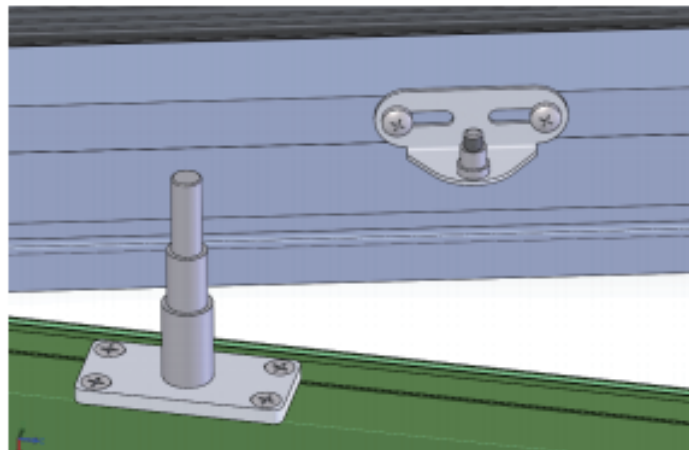
**AW-07**

## 1. Installation:

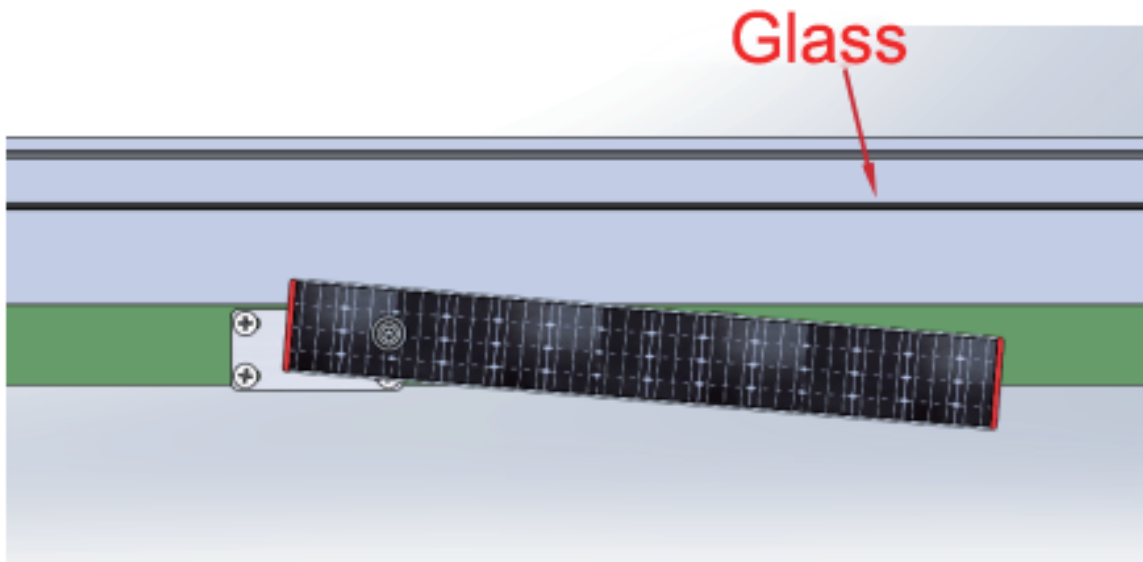
Step 1: Install the bracket 1 at the appropriate location on the window sill.



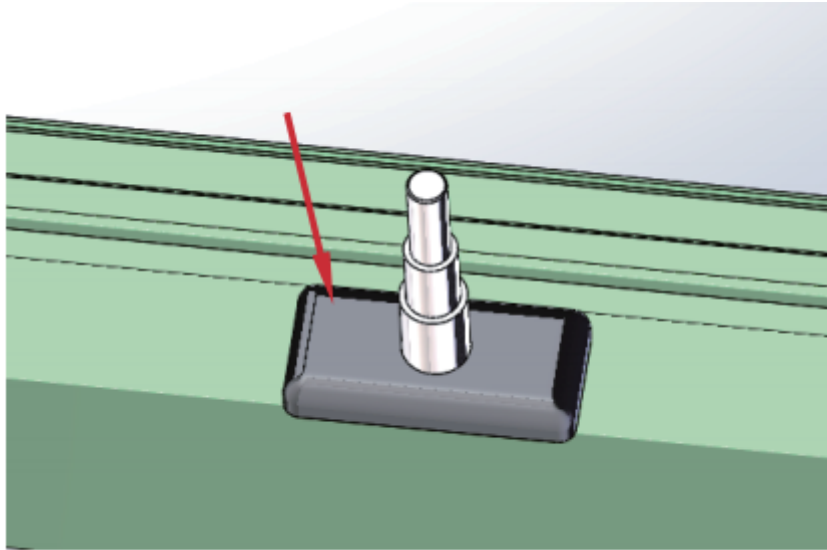
Step 2: Install the arm bracket on the window. When installing the arm bracket, the window opener should be installed on bracket 1 and close the window to confirm the position of the arm bracket.



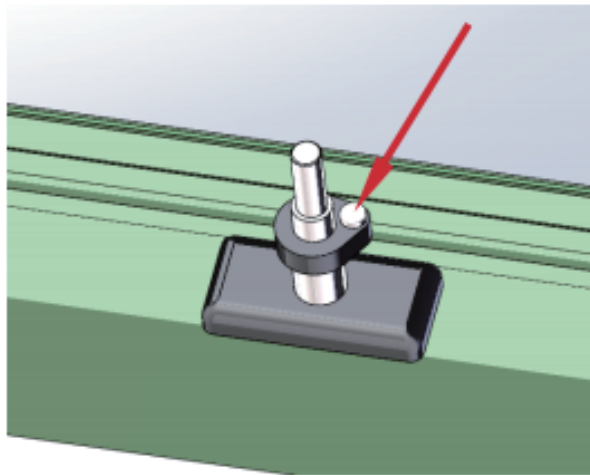
Step 3: The installation angle of the window opener should be slightly tilted outwards.



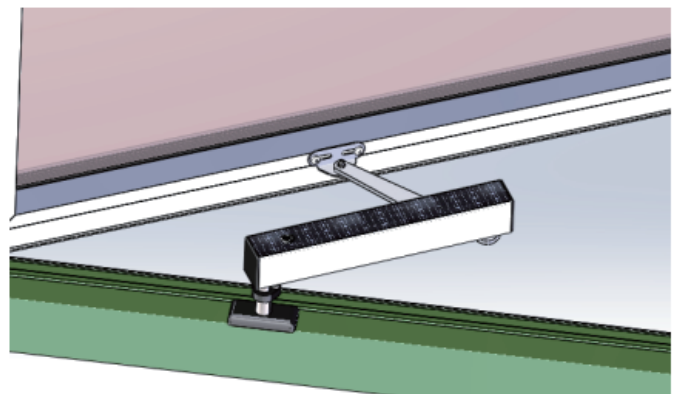
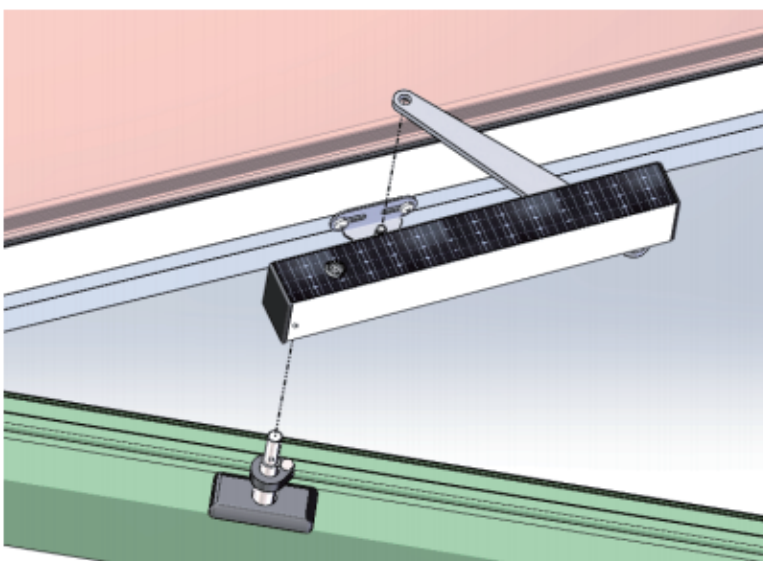
Step 4: Install decorative cover.



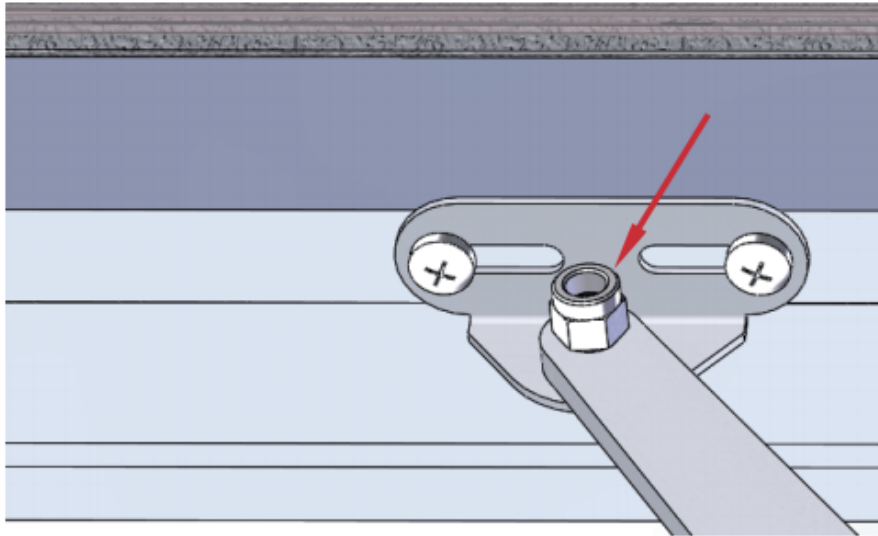
Step 5: Install the magnetic limit switch.



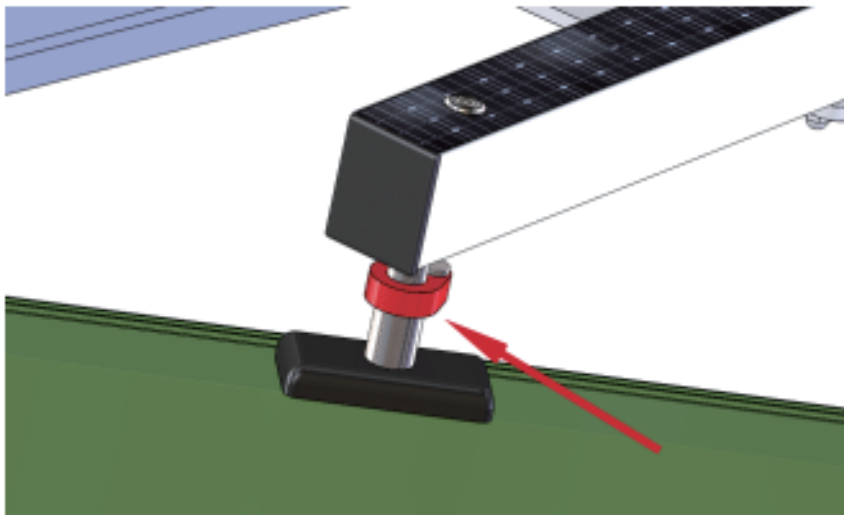
Step 6: Install the window opener AW-07.



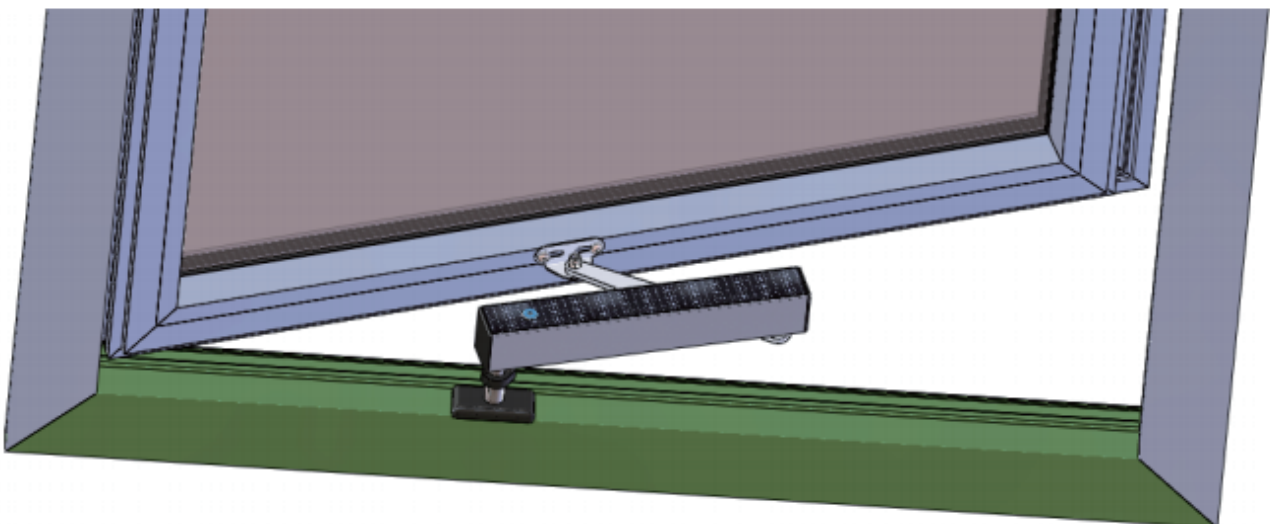
Step 7: Lock the arm bracket nut.



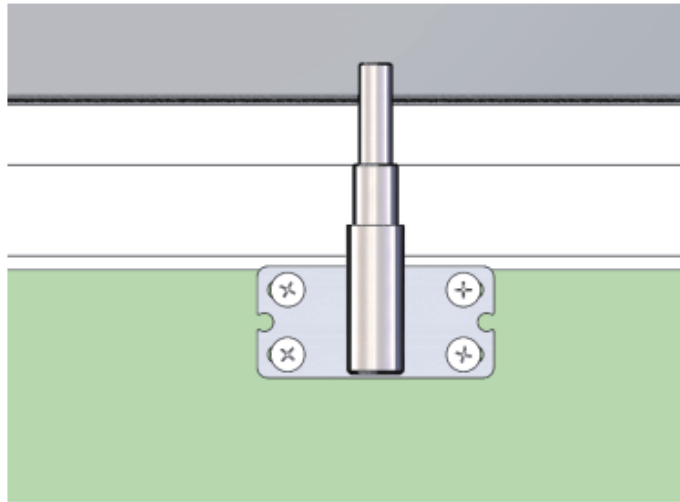
Step 8: Adjust the magnet position to adjust the window opening angle.  
The position of the magnet is the stopping position of the window opener.



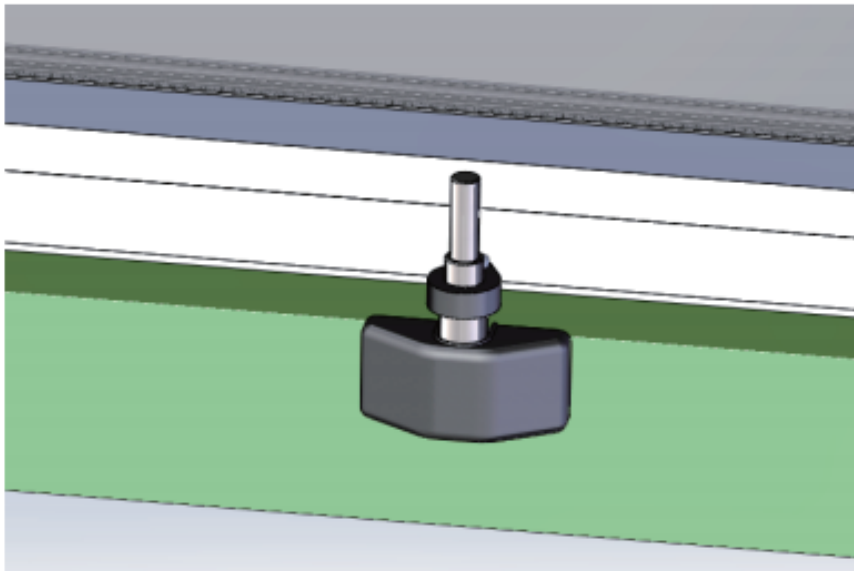
Step 9: Installation completed test.



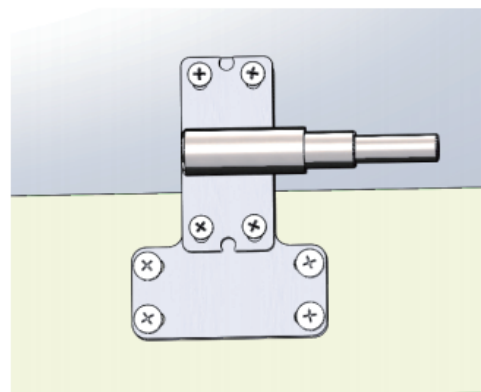
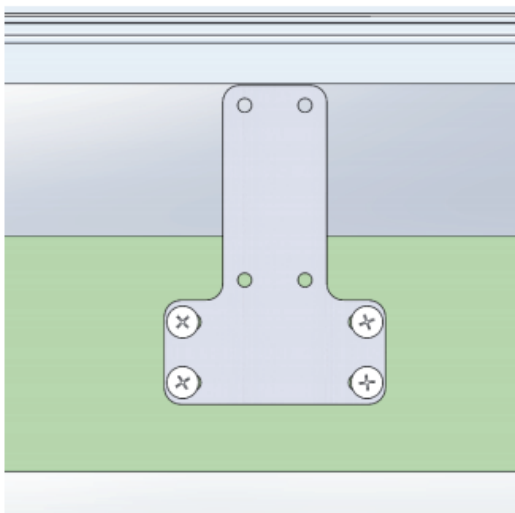
Step 10: When the window sill space is too small to place the mounting bracket, you can choose a side-mounted bracket to install on the side of the window sill.



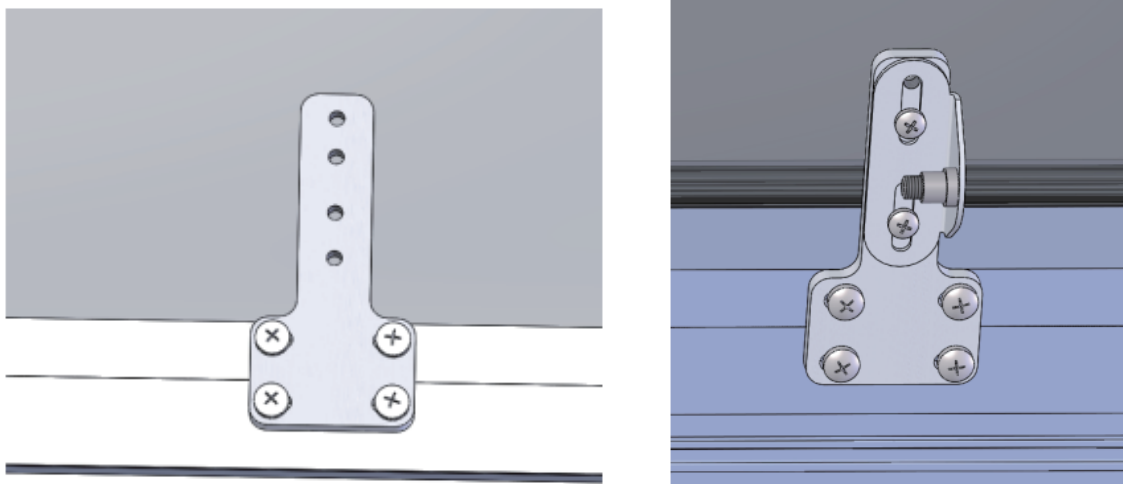
Step 11: Install the limit magnet and decorative cover, the remaining steps are the same as above.



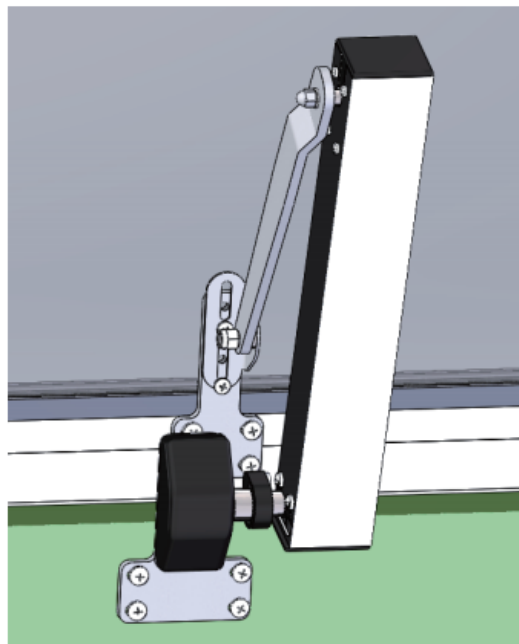
Step 12: When the window is an outward-opening type, it can be installed through an outward-opening bracket. Install the wider one on the side of the window sill and install the measuring bracket.



Step 13: Install the arm bracket plate at the appropriate location and install the arm bracket.

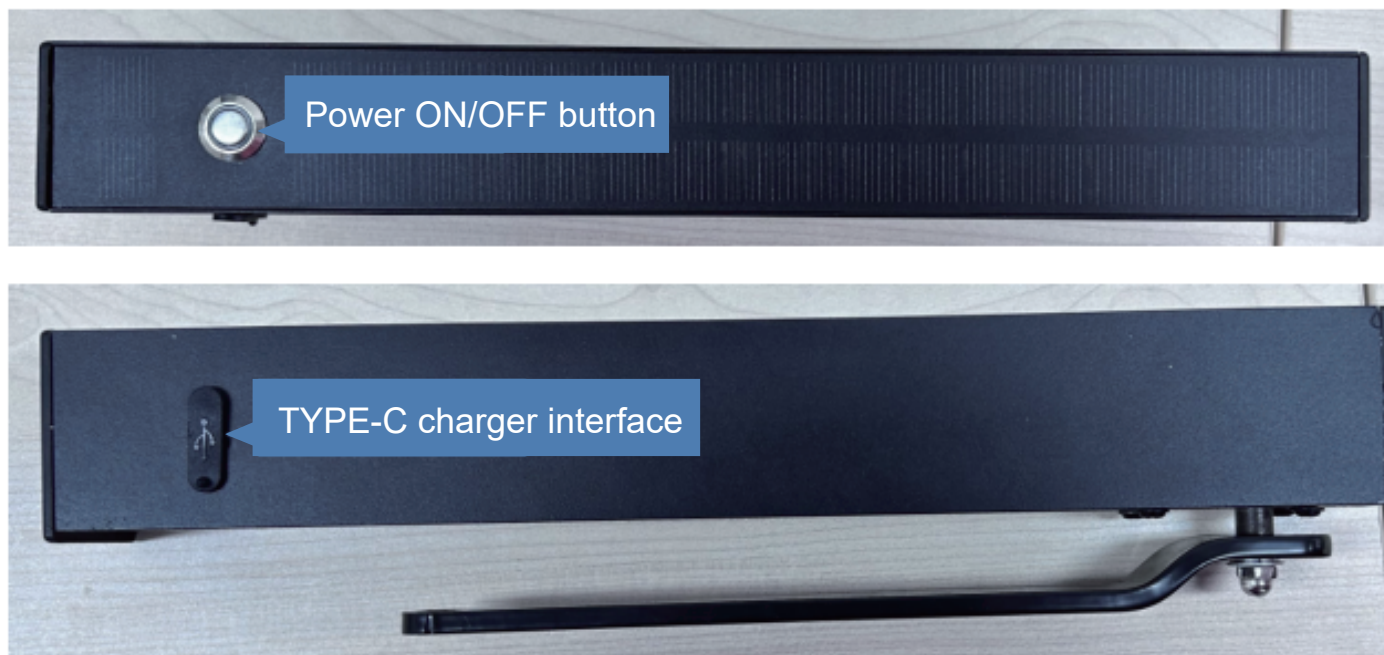


Step 14: Install the limit magnet and decorative cover, the remaining steps are the same as above.



## 2. Control System Parameters

Power supply	DC 6-9V (battery inside, offer solar panel for charging)
Battery charger power	5V (Type-C connector)
Motor power	DC 6V
Power off current	<1uA
Static current	3mA±1mA
Remote control	20pcs Giant rolling code remote
Remote frequency	433.92Mhz
Work distance	20m in open area



### 3. Function introduce

Function	Description
Power on	In the off state, short press the power-on button on the upper side of the solar panel. The buzzer will beep for a long time and the backlight of the button will be on. The power-on is successful and it will enter the standby mode.
Power off	In standby mode, press and hold the power-on button until the buzzer beeps, release the button and turn off the device.
Remote control	Code: Giant rolling code 4 Button function description as below: 1st button is opening the window; 2nd button is closing the window; 3rd button is stopping; 4th button is for configuring functions, hold press this button about 3s and enter the setting mode. Note: The controller only support to work with max 20pcs remotes.
Programming remote (Learn code)	Press and hold the first button on the remote, and press the power-on button about 1s and release the button, the buzzer will sound with a long beep and enter the programming mode, while the buzzer sound with 3 beeps, that means the programming is successful. If the device does not receive a signal from the remote within 6s, the buzzer will turn off and the device will exit the programming mode. Note: When the user is programming a new remote into the device, if the buzzer sound with 6 beeps, that means can not accept new remote.

Remove the remote	Press and hold the power-on button, the buzzer will sound with a long beep, until the buzzer turn off, release the button, and the buzzer will sound with 3 beeps, that means remove the remote successfully..
Single button cycle control	In the standby mode, short press the power-on button, the device will Work with single button cycle controlling mode. Open-stop-close-stop-open ...。
Window closing resistance adjustment	It can realize functions such as stopping when the door is blocked and anti-pinch. The resistance value can be adjusted through the\ configuration function.
Window opening magnetic limit stop	After the auto travelling learning operation is successful, the window opening can be stopped by the magnet induction.
Auto travelling learning	<p>Step 1: Hold press the 4th button on the remote about 3s and enter the setting mode.</p> <p>Step 2: Hold press the 3rd and 4th button, the buzzer will sound with a long beep.</p> <p>Step 3: Hold press the 2nd button to close the gate to the position you want to learn to close and press the 4th button to save.</p> <p>Step 4: Hold press the 1st button to open the gate to the position you want to learn to open and short press the 4th button to save and exit.</p>
Configuring functions	1: Press and hold the 4th button on the remote, after 5s the buzzer will sound with a long beep and enter the configuring functions.
	2:Adjust the resistance value. 1st button is used to reduce the resistance value. 2nd button is used to increase the resistance value. Resistance value: Factory default is 4, has 1-10 for optional. Note: The buzzer will sound several beeps to show how much value in the present. If the value is 10, the buzzer will sound with a long beep.
	3: 3rd button is used to switch the motor running direction 4: Press 4 buttons on the remote together to achieve reset the device.
	5: 4th button is used to save the parameters and exit the set mode. After you finished the operation for setting the parameters, please press the 4th button with 4 times, and the LED will flash 3 times then keep liting up, that means it already save the adjustment. Note:After 10 seconds, if you don't have any operation, the system will save the parameters and exit the mode automatically.
Motor overload protection	When the motor continues to run for more than 20s, the motor will automatically stop running to protect the motor.